

Silicon PNP Power Transistors

2SA2031

DESCRIPTION

- With TO-3PN package
- Complement to type 2SC5669
- Wide area of safe operation
- Large current capacitance

APPLICATIONS

- For audio frequency output applications

PINNING

PIN	DESCRIPTION
1	Base
2	Collector
3	Emitter

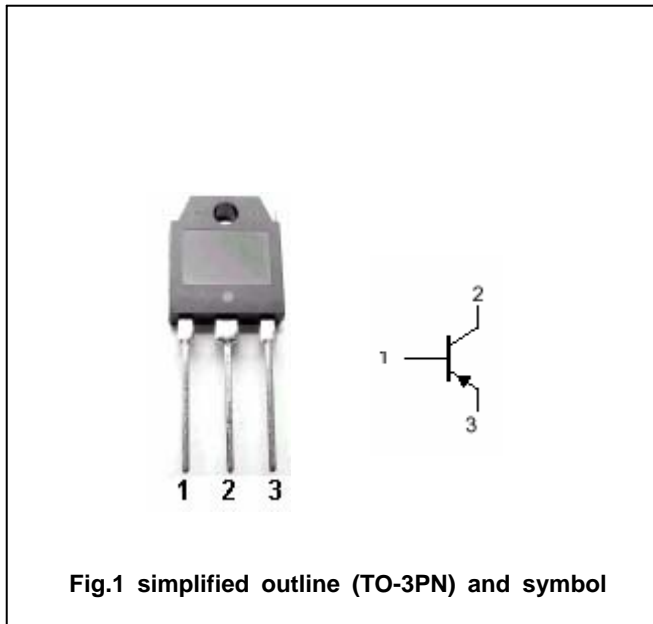


Fig.1 simplified outline (TO-3PN) and symbol

Absolute maximum ratings(Ta=25 )

SYMBOL	PARAMETER	CONDITIONS	VALUE	UNIT
$V_{CBO}$	Collector-base voltage	Open emitter	-250	V
$V_{CEO}$	Collector-emitter voltage	Open base	-230	V
$V_{EBO}$	Emitter-base voltage	Open collector	-6	V
$I_C$	Collector current		-15	A
$I_{CM}$	Collector current-peak		-30	A
$P_C$	Collector power dissipation	$T_a=25$	2.5	W
		$T_C=25$	140	
$T_j$	Junction temperature		150	
$T_{stg}$	Storage temperature		-55~150	

## Silicon PNP Power Transistors

2SA2031

## CHARACTERISTICS

T<sub>j</sub>=25 unless otherwise specified

SYMBOL	PARAMETER	CONDITIONS	MIN	TYP.	MAX	UNIT
V <sub>(BR)CEO</sub>	Collector-emitter breakdown voltage	I <sub>C</sub> =-50mA; R <sub>BE</sub> =	-230			V
V <sub>(BR)CBO</sub>	Collector-base breakdown voltage	I <sub>C</sub> =-5mA; I <sub>E</sub> =0	-250			V
V <sub>(BREBO)</sub>	Emitter-base breakdown voltage	I <sub>E</sub> =-5mA; I <sub>C</sub> =0	-6			V
V <sub>CEsat</sub>	Collector-emitter saturation voltage	I <sub>C</sub> =-7.5 A; I <sub>B</sub> =-0.75A		-0.3	-2.0	V
V <sub>BE</sub>	Base-emitter saturation voltage	I <sub>C</sub> =-7.5 A; V <sub>CE</sub> =-5V			-1.5	V
I <sub>CBO</sub>	Collector cut-off current	V <sub>CB</sub> =-250V; I <sub>E</sub> =0			-100	μ A
I <sub>EBO</sub>	Emitter cut-off current	V <sub>EB</sub> =-4V; I <sub>C</sub> =0			-100	μ A
h <sub>FE-1</sub>	DC current gain	I <sub>C</sub> =-1A; V <sub>CE</sub> =-5V	60		160	
h <sub>FE-2</sub>	DC current gain	I <sub>C</sub> =-7.5A; V <sub>CE</sub> =-5V	35			
C <sub>OB</sub>	Output capacitance	I <sub>E</sub> =0; V <sub>CB</sub> =-10V, f=1MHz		400		pF
f <sub>T</sub>	Transition frequency	I <sub>C</sub> =-1A; V <sub>CE</sub> =-5V		10		MHz

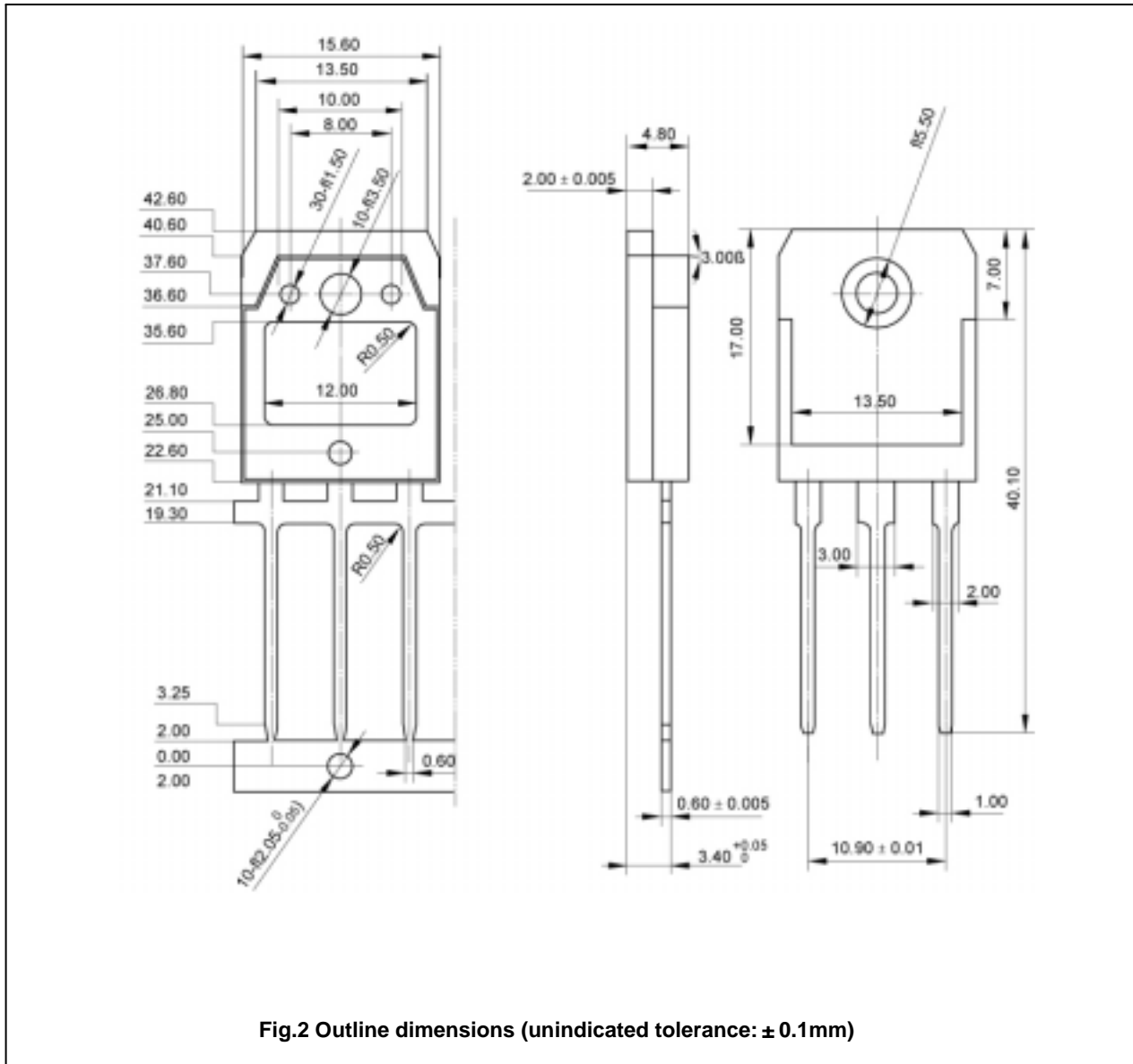
## Switching times

t <sub>on</sub>	Turn-on time	I <sub>C</sub> =-7.5A; R <sub>L</sub> =6.67 I <sub>B1</sub> =-I <sub>B2</sub> =-0.75A V <sub>CC</sub> =-50V		0.45		μ s
t <sub>stg</sub>	Storage time			1.75		μ s
t <sub>f</sub>	Fall time			0.25		μ s

Silicon PNP Power Transistors

2SA2031

PACKAGE OUTLINE



Silicon PNP Power Transistors

2SA2031

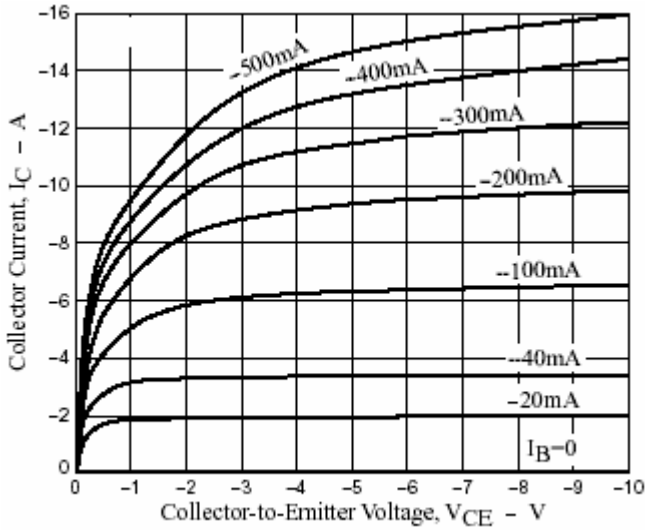


Fig.3 Static Characteristic

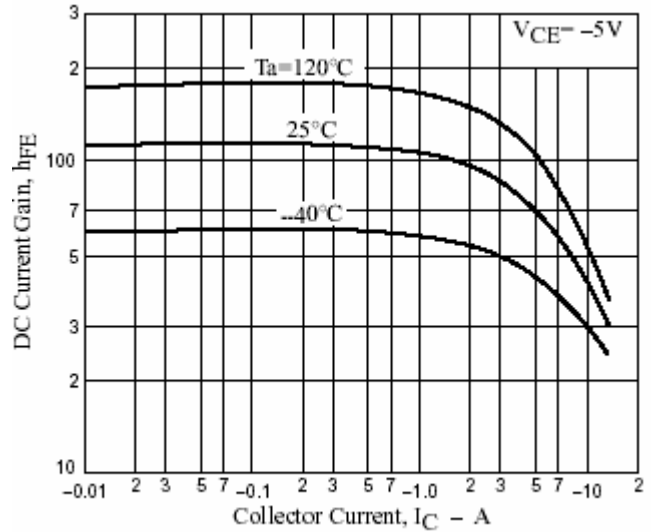


Fig.4 DC current Gain

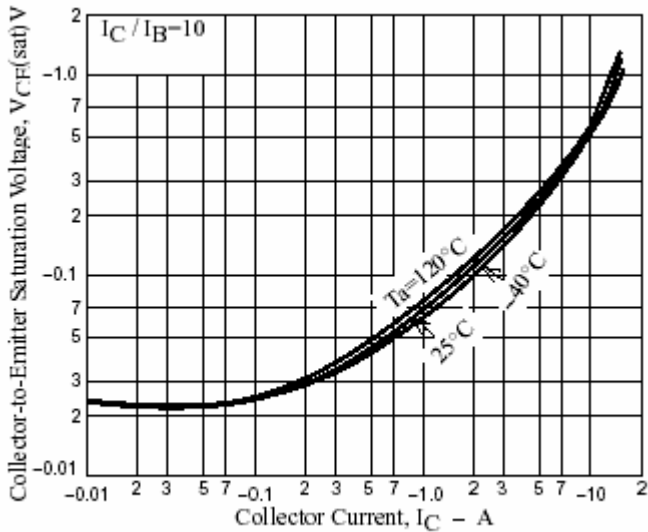


Fig.5 Collector-Emitter Saturation Voltage

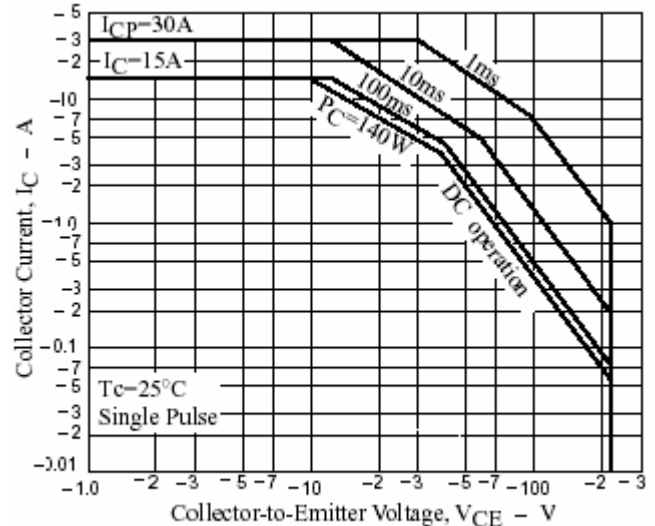


Fig.6 Safe Operating Area