

AN7510, AN7510S

Dual 0.5,1W BTL Audio Power Amplifier Circuit

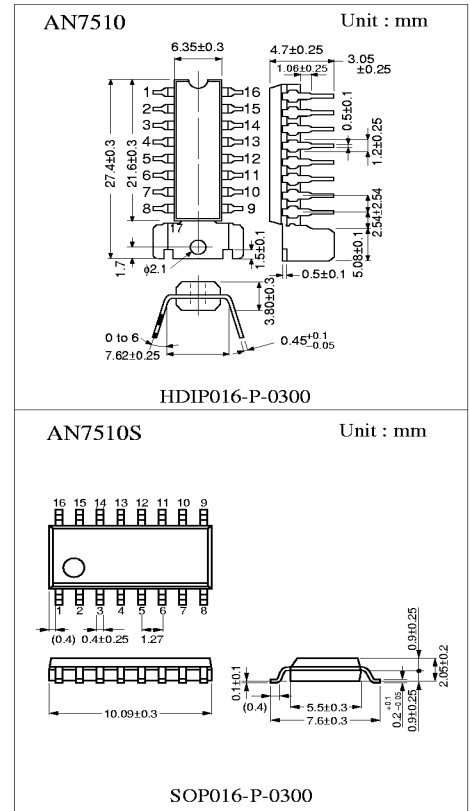
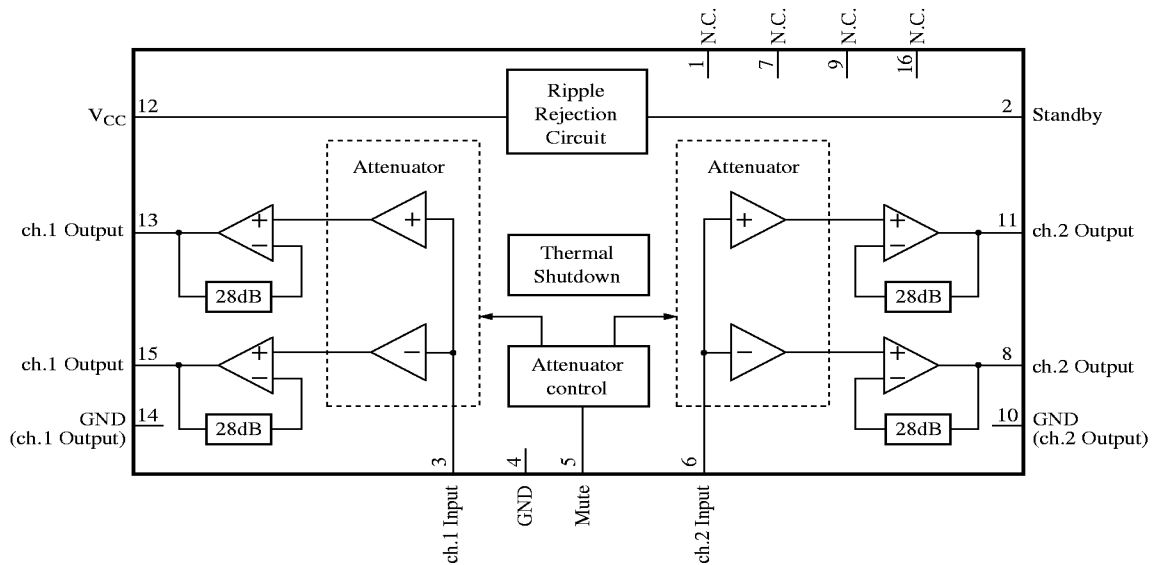
■ Features

- AN7510: $V_{cc}=5V$, Output=1W(8Ω)
- AN7510S: $V_{cc}=5V$, Output=0.5W(16Ω)
- Built-in Standby function.
- Built-in Mute circuits.

■ Applications

- TVs, Audio equipment, Personal computers, Active speakers

■ Block Diagram



■ Pin Descriptions

Pin No.	Function	Pin No.	Function
1	N.C	9	N.C
2	Standby	10	GND(Output ch2)
3	ch1 Input	11	ch2 Output(+)
4	GND(Input)	12	Vcc
5	Mute	13	ch1 Output(+)
6	ch2 Input	14	GND(Output ch1)
7	N.C	15	ch1 Output(-)
8	ch2 Output(-)	16	N.C

■ Absolute Maximum Ratings

Parameter	Symbol	Ratio	Unit	Note
Storage temperature	T _{stg}	AN7510 -55 to +150	°C	1
		AN7510S -55 to +125		
Operating ambient temperature	T _{opr}	-25 to +70	°C	1
Supply voltage	V _{cc}	14	V	2
Supply current	I _{cc}	2.0	A	
Power dissipation	P _D	AN7510 1127	mW	Ta=70°C
		AN7510S 236		

Note1) Ta=25°C except storage temperature and operating ambient temperature.

Note2) At no-signal.

■ Operating Supply Voltage Range

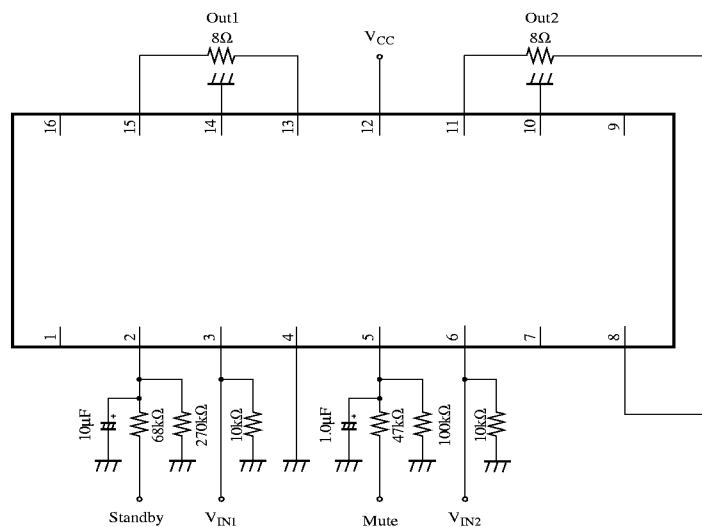
Operating supply voltage range	V _{cc}	3.5V to 13.5V
--------------------------------	-----------------	---------------

Panasonic

Electrical Characteristics ($V_{CC}=5.0V, R_L=8\Omega, \text{freq}=1\text{kHz}, T_a=25^\circ\text{C} \pm 2^\circ\text{C}$)

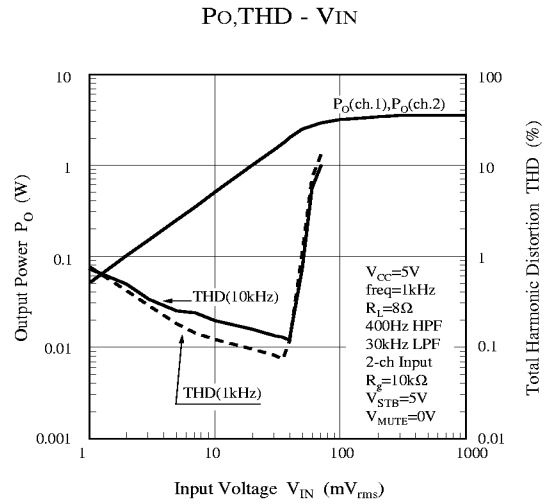
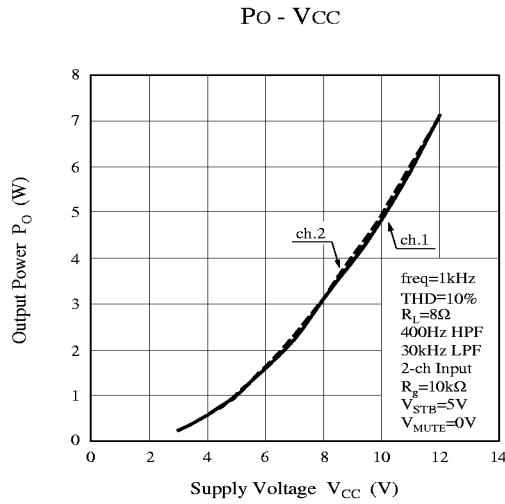
Parameter	Symbol	Condition	min.	typ.	max.	Unit	Note
Quiescent current	ICQ	$V_{IN}=0\text{mV}$	–	50	100	mA	
Standby current	ISTB	$V_{IN}=0\text{mV}$	–	1	10	μA	
Output noise voltage	VNO	$R_g=10\text{k}\Omega$	–	0.14	0.4	mVrms	1
Voltage gain	Gv	$P_O=0.25\text{W}$	32	34	36	dB	
Total harmonic distortion	THD	$P_O=0.25\text{W}$	–	0.05	0.5	%	
Maximum power output	PO	THD=10%	0.8	1.1	–	W	
Ripple rejection ratio	RR	$R_g=10\text{k}\Omega$ $V_r=1\text{Vrms}, f_r=120\text{Hz}$	30	50	–	dB	1
Output offset voltage	Voff	$R_g=10\text{k}\Omega$	-300	0	300	mV	
Muting effect	MT	$P_O=0.25\text{W}$	70	86	–	dB	1
Channel balance	CB	$P_O=0.25\text{W}$	-1	0	1	dB	
Channel crosstalk	CT	$P_O=0.25\text{W}$	55	65	–	dB	

Note1) For this measurement, use the filter <Bandwidth: 15Hz to 30kHz(12dB/octave)>

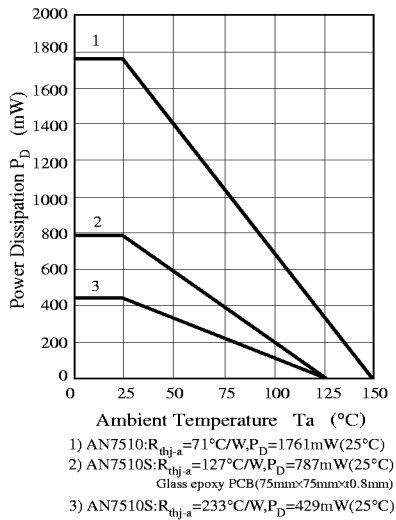
Application Circuit


Panasonic

■ Characteristic Curve(AN7510)



■ Package Power Dissipation



■ Printed Board Circuit Layout

