

Prepared		Product Specifications AN7586	Ref No.	A - 1
Checked			Total Page	12
Approved			Page No.	1

Structure	Silicon Monolithic Bipolar IC
Appearance	SIL-7 Pins Plastic Package (Power Type With Fin)
Application	Low Frequency Amplifier
Function	Mono 10W Audio Power Amplifier, with standby circuit and incorporating protection circuits

A	Absolute Maximum Ratings				
No.	Item	Symbol	Ratings	Unit	Note
1	Storage Temperature	Tstg	-55 ~ +150	° C	1
2	Operating Ambient Temperature	Topr	-25 ~ +75	° C	1
3	Operating Ambient Pressure	Popr	$1.013 \times 10^5 \pm 0.61 \times 10^5$ (1.0 ± 0.6)	Pa (atm)	
4	Operating Constant Acceleration	Gopr	9,810 (1,000)	m / s ² (G)	
5	Operating Shock	Sopr	4,900 (500)	m / s ² (G)	
6	Power Supply Voltage	Vcc	35.0	V	
7	Power Supply Current	Icc	2.0	A	
8	Power Dissipation	PD	18.7	W	2

Operating Supply Voltage Range	Vcc	10.0 V ~ 32.0 V
--------------------------------	-----	-----------------

Note : 1) Except these items, all other measurements are taken at Ta = 25 °C.

2) Ta = 75 °C with infinite heat sink.

Eff. Date	Eff. Date	Eff. Date	Eff. Date	
11-Feb-1999				

Prepared		Product Specifications AN7586	Ref No.	A-2
Checked			Total Page	12
Approved			Page No.	2

A	Absolute Maximum Ratings				
No.	Item	Symbol	Ratings	Unit	Note
1	Pin Voltage (Pin 3)	V ₃	-0.3 ~ +3.0	V	

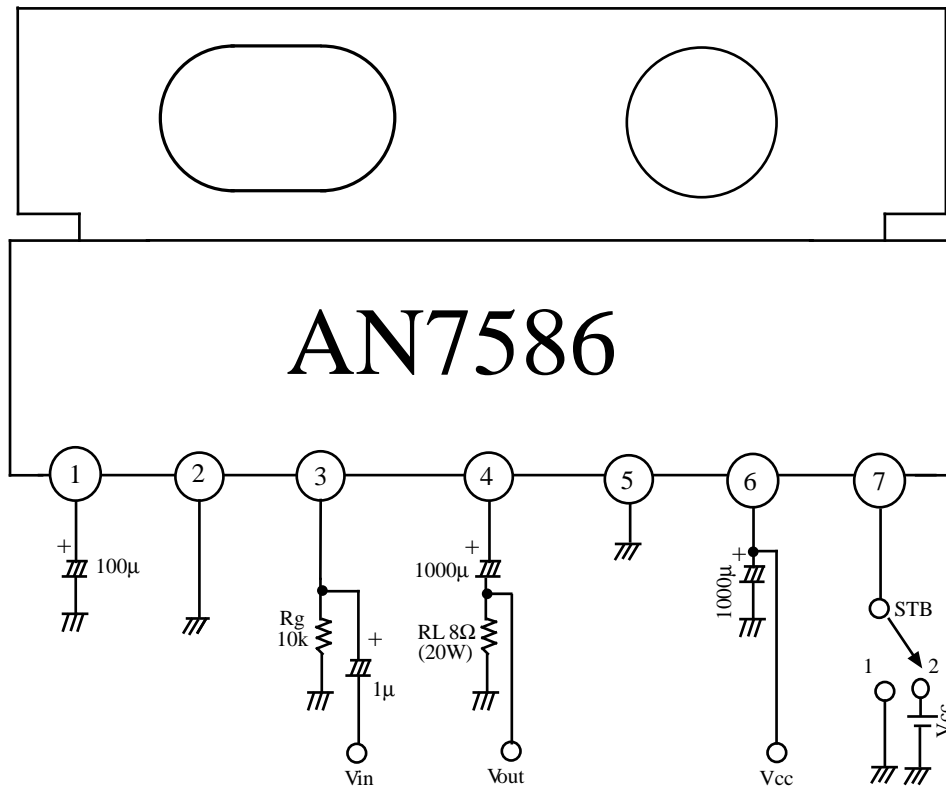
Note) For the above mentioned terminals do not apply a voltage or current that is outside the described range.

Eff. Date	Eff. Date	Eff. Date	Eff. Date	
11-Feb-1999				

Prepared		Product Specifications AN7586	Ref No.	C - 1
Checked			Total Page	12
Approved			Page No.	4

Description of Test Circuits and Test Methods

Test Circuit :

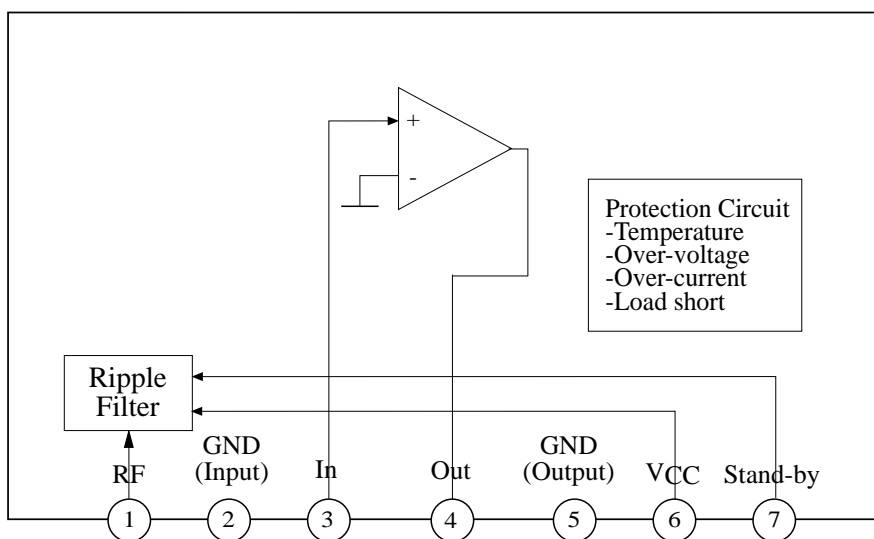


Note:
For ' OPERATIONAL MODE ', connect STB to Vcc.

Eff. Date	Eff. Date	Eff. Date	Eff. Date
11-Feb-1999			

Prepared		Product Specifications AN7586	Ref No.	D - 1
Checked			Total Page	12
Approved			Page No.	5

Circuit Function Block Diagram



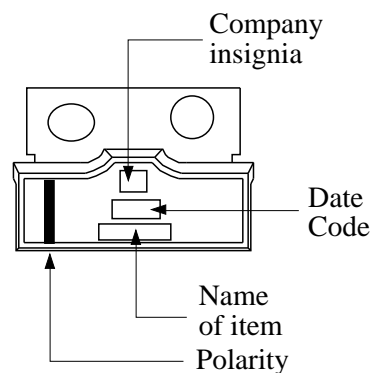
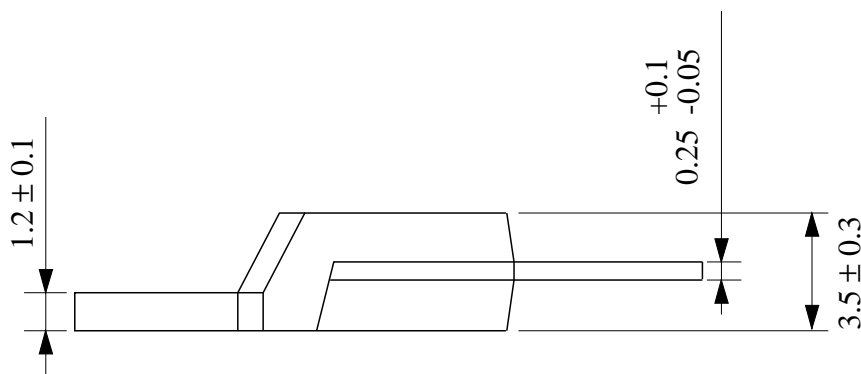
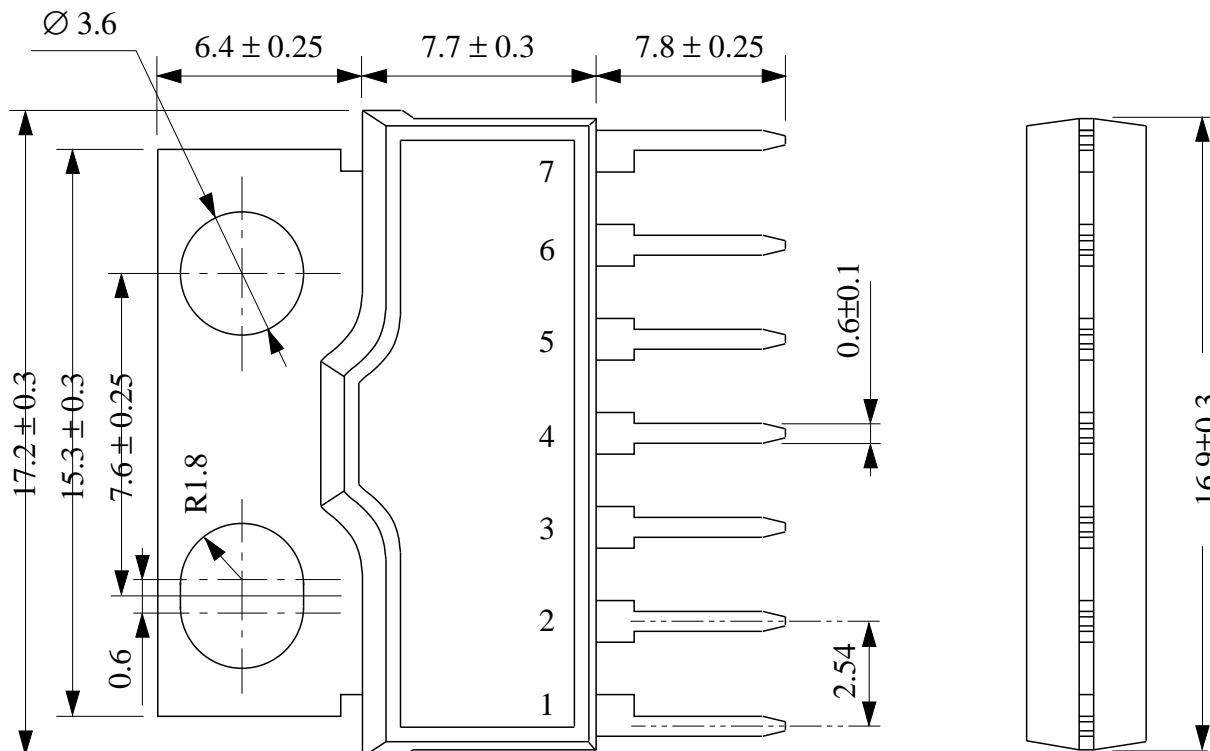
Pin Descriptions

Pin No.	Pin Descriptions	Pin No.	Pin Descriptions
1	Ripple Filter	5	GND (output)
2	GND (input)	6	Vcc
3	Input	7	Standby
4	Output		

Eff. Date	Eff. Date	Eff. Date	Eff. Date
11-Feb-1999			

Prepared		Product Specifications AN7586	Ref No.	E-1
Checked			Total Page	12
Approved			Page No.	6
			Package Name	FP - 7S

Unit : mm



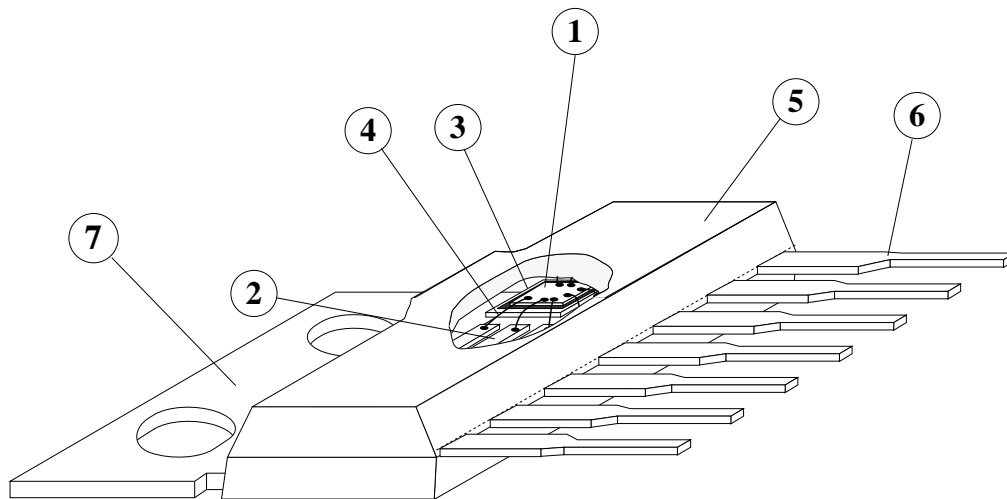
Eff. Date	Eff. Date	Eff. Date	Eff. Date
11-Feb-1999			

Prepared		Product Specifications AN7586	Ref No.	F
Checked			Total Page	12
Approved			Page No.	7

(Structure Description)

Chip surface passivation	SiN,	PSG,	Others ()	①	
Lead frame material	Fe group,	Cu group,	Others ()	②, ⑥	
Inner lead surface process	Ag plating,	Au plating,	Others ()	②	
Outer lead surface process	Solder plating,	Solder dip,	Others ()	⑥	
Chip mounting method	Ag paste,	Au-Si alloy,	Solder,	Others ()	③
Wire bonding method	Thermalsonic bonding,		Others ()	④	
Wire material	Au,	Diameter 38 μm	Others ()	④	
Mold material	Epoxy,		Others ()	⑤	
Molding method	Transfer mold,	Multiplunger mold,	Others ()	⑤	
Heat Fin Material	Fe group,	Cu group,	Others ()	⑦	

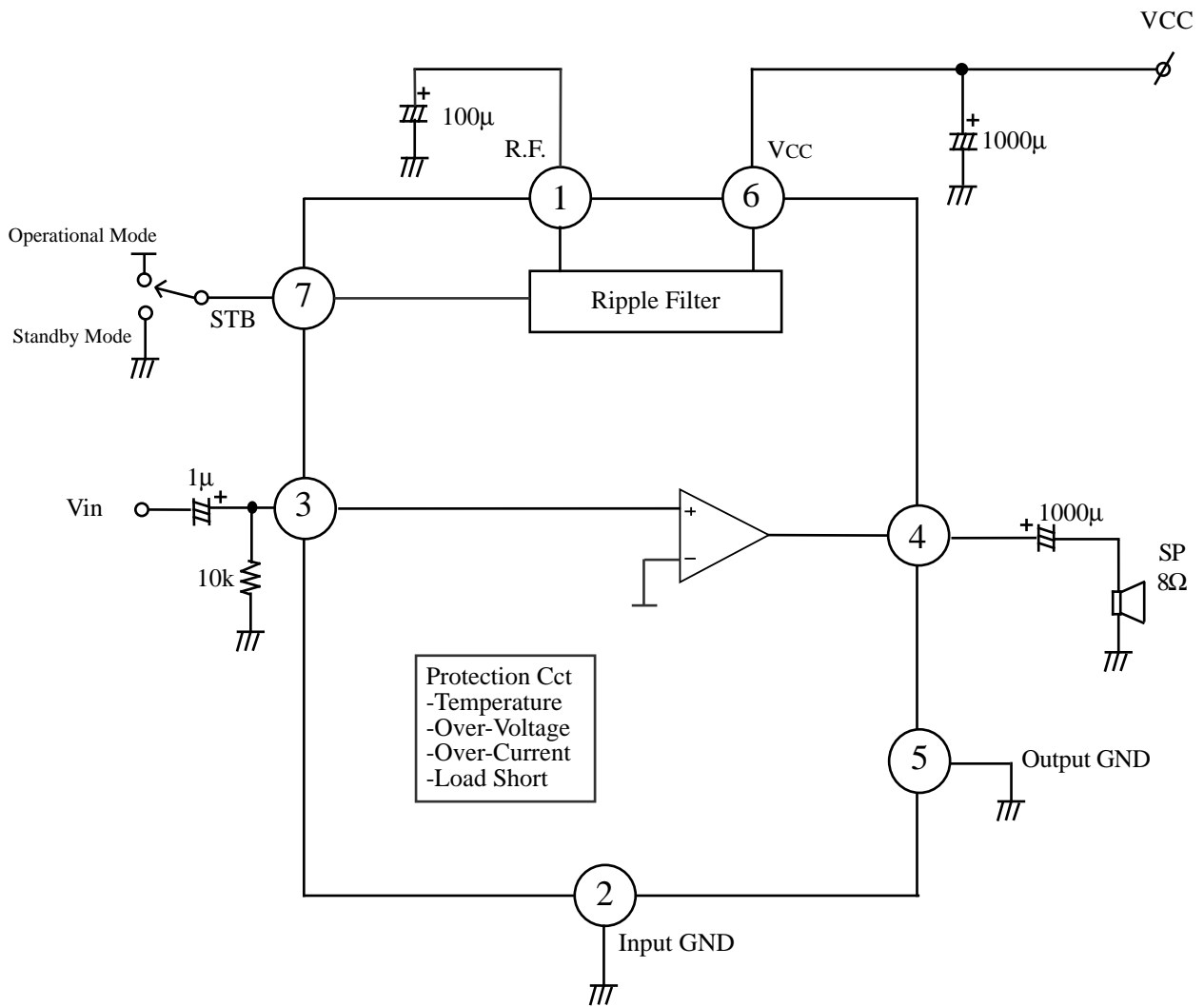
Package FP-7S



Eff. Date	Eff. Date	Eff. Date	Eff. Date	
11-Feb-1999				

Prepared		Product Specifications AN7586	Ref No.	G - 1
Checked			Total Page	12
Approved			Page No.	8

Application Circuit



Operational Mode	VCC
Standby Mode	0V

Eff. Date	Eff. Date	Eff. Date	Eff. Date
11-Feb-1999			

Prepared		Product Specifications (Technical Data) AN7586	Ref No.	G - 2
Checked			Total Page	12
Approved			Page No.	9

Pin No.	Function	Adjacent Circuitry	Pins Description / Signal	DC Bias (V)
1	Ripple Filter		This is the pin to connect the positive terminal of a ripple filter capacitor.	Vcc-1.5VBE
2	Input GND		Input ground pin.	0V
3	Input		This is the amplifier input pin.	0V

Eff. Date	Eff. Date	Eff. Date	Eff. Date
11-Feb-1999			

Prepared		Product Specifications (Technical Data) AN7586	Ref No.	G - 2
Checked			Total Page	12
Approved			Page No.	10

Pin No.	Function	Adjacent Circuitry	Pins Description / Signal	DC Bias (V)
4	Output		Output pin	$V_{cc}/2$
5	Output Gnd		Output ground.	0V
6	Vcc		This is the power supply pin.	Typ: 26V
7	Standby		Standby control pin. Standby Mode = 0 V Operational Mode = Vcc	

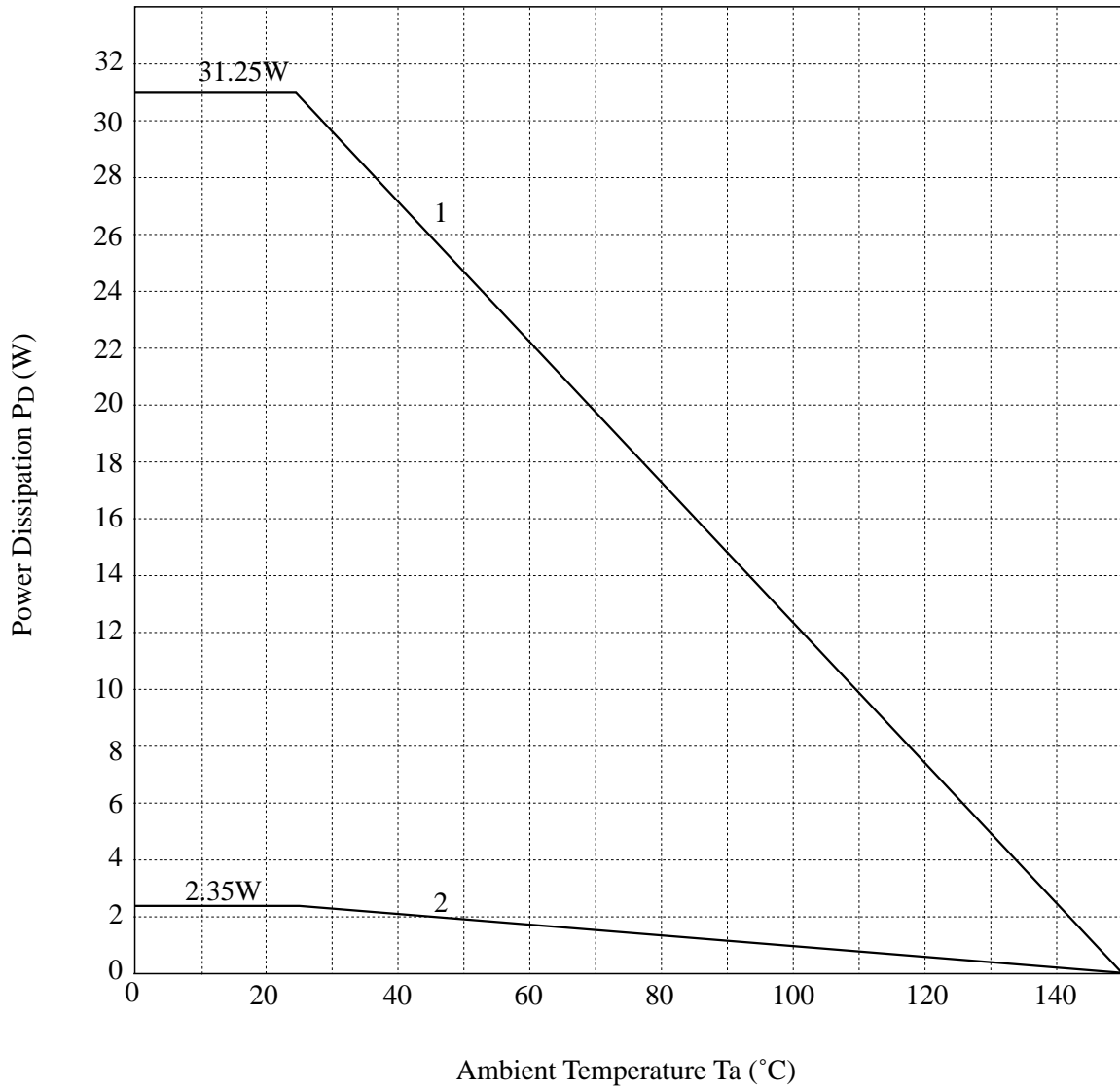
Eff. Date	Eff. Date	Eff. Date	Eff. Date
11-Feb-1999			

Prepared		Product Specifications	Ref No.	G-3
Checked			Total Page	12
Approved			Page No.	11

AN7586

FP-7S Power Dissipation vs. Ambient Temperature

- 1 Infinity Heat Sink : $R_{th(j-c)} = 4 \text{ } ^\circ\text{C/W}$
- 2 No Heat Sink : $R_{th(j-a)} = 53.2 \text{ } ^\circ\text{C/W}$



Eff. Date	Eff. Date	Eff. Date	Eff. Date
11-Feb-1999			

Prepared		Product Specifications AN7586	Ref No.	H
Checked			Total Page	12
Approved			Page No.	12

Application's Precautions

- (1) External heatsink is needed when used. External heatsink should be fixed to the chassis.
- (2) Fin of the IC can be connected to GND.
- (3) Please prevent "Output to VCC short", "Output to GND short", "Pin Shift" in direction of Pin 7 and "Reverse Insertion" to avoid damaging the IC.
- (4) The temperature protection circuit will operate at Tj around 150°C. However, if temperature decrease, the protection circuit will automatically be deactivated and resume normal operation.

Eff. Date	Eff. Date	Eff. Date	Eff. Date	
11-Feb-1999				