

## CD4066BM/CD4066BC Quad Bilateral Switch

### General Description

The CD4066BM/CD4066BC is a quad bilateral switch intended for the transmission or multiplexing of analog or digital signals. It is pin-for-pin compatible with CD4016BM/CD4016BC, but has a much lower "ON" resistance, and "ON" resistance is relatively constant over the input-signal range.

### Features

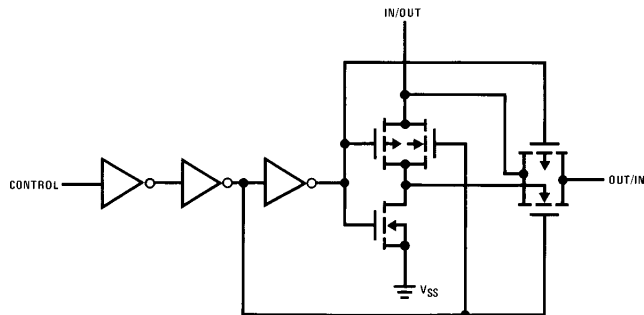
- Wide supply voltage range 3V to 15V
- High noise immunity 0.45  $V_{DD}$  (typ.)
- Wide range of digital and analog switching  $\pm 7.5 V_{PEAK}$
- "ON" resistance for 15V operation 80  $\Omega$
- Matched "ON" resistance  $\Delta R_{ON} = 5 \Omega$  (typ.) over 15V signal input
- "ON" resistance flat over peak-to-peak signal range
- High "ON"/"OFF" output voltage ratio @  $f_{is} = 10$  kHz,  $R_L = 10$  k $\Omega$  65 dB (typ.)
- High degree linearity @  $f_{is} = 1$  kHz,  $V_{is} = 5V_{p-p}$ ,  $V_{DD} - V_{SS} = 10V$ ,  $R_L = 10$  k $\Omega$  0.1% distortion (typ.)
- High degree linearity

- Extremely low "OFF" switch leakage 0.1 nA (typ.) @  $V_{DD} - V_{SS} = 10V$ ,  $T_A = 25^\circ C$
- Extremely high control input impedance  $10^{12} \Omega$  (typ.)
- Low crosstalk between switches -50 dB (typ.) @  $f_{is} = 0.9$  MHz,  $R_L = 1$  k $\Omega$
- Frequency response, switch "ON" 40 MHz (typ.)

### Applications

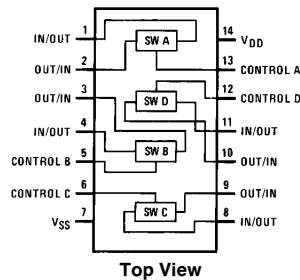
- Analog signal switching/multiplexing
  - Signal gating
  - Squelch control
  - Chopper
  - Modulator/Demodulator
  - Commutating switch
- Digital signal switching/multiplexing
- CMOS logic implementation
- Analog-to-digital/digital-to-analog conversion
- Digital control of frequency, impedance, phase, and analog-signal-gain

### Schematic and Connection Diagrams



Order Number CD4066B

#### Dual-In-Line Package



TL/F/5665-1

### Absolute Maximum Ratings (Notes 1 & 2)

If Military/Aerospace specified devices are required, please contact the National Semiconductor Sales Office/Distributors for availability and specifications.

Supply Voltage (V <sub>DD</sub> )	−0.5V to +18V
Input Voltage (V <sub>IN</sub> )	−0.5V to V <sub>DD</sub> + 0.5V
Storage Temperature Range (T <sub>S</sub> )	−65°C to +150°C
Power Dissipation (P <sub>D</sub> )	
Dual-In-Line	700 mW
Small Outline	500 mW
Lead Temperature (T <sub>L</sub> )	
(Soldering, 10 seconds)	300°C

### Recommended Operating Conditions (Note 2)

Supply Voltage (V <sub>DD</sub> )	3V to 15V
Input Voltage (V <sub>IN</sub> )	0V to V <sub>DD</sub>
Operating Temperature Range (T <sub>A</sub> )	
CD4066BM	−55°C to +125°C
CD4066BC	−40°C to +85°C

### DC Electrical Characteristics CD4066BM (Note 2)

Symbol	Parameter	Conditions	−55°C		+25°C			+125°C		Units
			Min	Max	Min	Typ	Max	Min	Max	
I <sub>DD</sub>	Quiescent Device Current	V <sub>DD</sub> = 5V		0.25		0.01	0.25		7.5	μA
		V <sub>DD</sub> = 10V		0.5		0.01	0.5		15	μA
		V <sub>DD</sub> = 15V		1.0		0.01	1.0		30	μA

### SIGNAL INPUTS AND OUTPUTS

R <sub>ON</sub>	“ON” Resistance	R <sub>L</sub> = 10 kΩ to $\frac{V_{DD}-V_{SS}}{2}$ V <sub>C</sub> = V <sub>DD</sub> , V <sub>IS</sub> = V <sub>SS</sub> to V <sub>DD</sub> V <sub>DD</sub> = 5V V <sub>DD</sub> = 10V V <sub>DD</sub> = 15V		800 310 200		270 120 80	1050 400 240		1300 550 320	Ω Ω Ω
ΔR <sub>ON</sub>	Δ“ON” Resistance Between any 2 of 4 Switches	R <sub>L</sub> = 10 kΩ to $\frac{V_{DD}-V_{SS}}{2}$ V <sub>C</sub> = V <sub>DD</sub> , V <sub>IS</sub> = V <sub>SS</sub> to V <sub>DD</sub> V <sub>DD</sub> = 10V V <sub>DD</sub> = 15V				10 5				Ω Ω
I <sub>IS</sub>	Input or Output Leakage Switch “OFF”	V <sub>C</sub> = 0 V <sub>IS</sub> = 15V and 0V, V <sub>OS</sub> = 0V and 15V		±50		±0.1	±50		±500	nA

### CONTROL INPUTS

V <sub>ILC</sub>	Low Level Input Voltage	V <sub>IS</sub> = V <sub>SS</sub> and V <sub>DD</sub> V <sub>OS</sub> = V <sub>DD</sub> and V <sub>SS</sub> I <sub>IS</sub> = ±10 μA V <sub>DD</sub> = 5V V <sub>DD</sub> = 10V V <sub>DD</sub> = 15V		1.5 3.0 4.0		2.25 4.5 6.75	1.5 3.0 4.0		1.5 3.0 4.0	V V V
V <sub>IHC</sub>	High Level Input Voltage	V <sub>DD</sub> = 5V V <sub>DD</sub> = 10V (see note 6) V <sub>DD</sub> = 15V	3.5 7.0 11.0		3.5 7.0 11.0	2.75 5.5 8.25		3.5 7.0 11.0		V V V
I <sub>IN</sub>	Input Current	V <sub>DD</sub> − V <sub>SS</sub> = 15V V <sub>DD</sub> ≥ V <sub>IS</sub> ≥ V <sub>SS</sub> V <sub>DD</sub> ≥ V <sub>C</sub> ≥ V <sub>SS</sub>		±0.1		±10 <sup>−5</sup>	±0.1		±1.0	μA

### DC Electrical Characteristics CD4066BC (Note 2)

Symbol	Parameter	Conditions	−40°C		+25°C			+85°C		Units
			Min	Max	Min	Typ	Max	Min	Max	
I <sub>DD</sub>	Quiescent Device Current	V <sub>DD</sub> = 5V		1.0		0.01	1.0		7.5	μA
		V <sub>DD</sub> = 10V		2.0		0.01	2.0		15	μA
		V <sub>DD</sub> = 15V		4.0		0.01	4.0		30	μA

## DC Electrical Characteristics (Continued) CD4066BC (Note 2)

Symbol	Parameter	Conditions	-40°C		+25°C			+85°C		Units
			Min	Max	Min	Typ	Max	Min	Max	
<b>SIGNAL INPUTS AND OUTPUTS</b>										
R <sub>ON</sub>	"ON" Resistance	R <sub>L</sub> = 10 kΩ to $\frac{V_{DD}-V_{SS}}{2}$ V <sub>C</sub> = V <sub>DD</sub> , V <sub>SS</sub> to V <sub>DD</sub> V <sub>DD</sub> = 5V V <sub>DD</sub> = 10V V <sub>DD</sub> = 15V		850 330 210		270 120 80	1050 400 240		1200 520 300	Ω Ω Ω
ΔR <sub>ON</sub>	Δ"ON" Resistance Between Any 2 of 4 Switches	R <sub>L</sub> = 10 kΩ to $\frac{V_{DD}-V_{SS}}{2}$ V <sub>CC</sub> = V <sub>DD</sub> , V <sub>IS</sub> = V <sub>SS</sub> to V <sub>DD</sub> V <sub>DD</sub> = 10V V <sub>DD</sub> = 15V				10 5				Ω Ω
I <sub>IS</sub>	Input or Output Leakage Switch "OFF"	V <sub>C</sub> = 0		±50		±0.1	±50		±200	nA
<b>CONTROL INPUTS</b>										
V <sub>ILC</sub>	Low Level Input Voltage	V <sub>IS</sub> = V <sub>SS</sub> and V <sub>DD</sub> V <sub>OS</sub> = V <sub>DD</sub> and V <sub>SS</sub> I <sub>IS</sub> = ±10 μA V <sub>DD</sub> = 5V V <sub>DD</sub> = 10V V <sub>DD</sub> = 15V		1.5 3.0 4.0		2.25 4.5 6.75	1.5 3.0 4.0		1.5 3.0 4.0	V V V
V <sub>IHC</sub>	High Level Input Voltage	V <sub>DD</sub> = 5V V <sub>DD</sub> = 10V (See note 6) V <sub>DD</sub> = 15V	3.5 7.0 11.0		3.5 7.0 11.0	2.75 5.5 8.25		3.5 7.0 11.0		V V V
I <sub>IN</sub>	Input Current	V <sub>DD</sub> - V <sub>SS</sub> = 15V V <sub>DD</sub> ≥ V <sub>IS</sub> ≥ V <sub>SS</sub> V <sub>DD</sub> ≥ V <sub>C</sub> ≥ V <sub>SS</sub>		±0.3		±10 <sup>-5</sup>	±0.3		±1.0	μA

## AC Electrical Characteristics\* T<sub>A</sub> = 25°C, t<sub>r</sub> = t<sub>f</sub> = 20 ns and V<sub>SS</sub> = 0V unless otherwise noted

Symbol	Parameter	Conditions	Min	Typ	Max	Units
t <sub>PHL</sub> , t <sub>PLH</sub>	Propagation Delay Time Signal Input to Signal Output	V <sub>C</sub> = V <sub>DD</sub> , C <sub>L</sub> = 50 pF, (Figure 1) R <sub>L</sub> = 200k V <sub>DD</sub> = 5V V <sub>DD</sub> = 10V V <sub>DD</sub> = 15V			25 15 10	ns ns ns
t <sub>PZH</sub> , t <sub>PZL</sub>	Propagation Delay Time Control Input to Signal Output High Impedance to Logical Level	R <sub>L</sub> = 1.0 kΩ, C <sub>L</sub> = 50 pF, (Figures 2 and 3) V <sub>DD</sub> = 5V V <sub>DD</sub> = 10V V <sub>DD</sub> = 15V			125 60 50	ns ns ns
t <sub>PHZ</sub> , t <sub>PLZ</sub>	Propagation Delay Time Control Input to Signal Output Logical Level to High Impedance Sine Wave Distortion	R <sub>L</sub> = 1.0 kΩ, C <sub>L</sub> = 50 pF, (Figures 2 and 3) V <sub>DD</sub> = 5V V <sub>DD</sub> = 10V V <sub>DD</sub> = 15V V <sub>C</sub> = V <sub>DD</sub> = 5V, V <sub>SS</sub> = -5V R <sub>L</sub> = 10 kΩ, V <sub>IS</sub> = 5V <sub>p-p</sub> , f = 1 kHz, (Figure 4)		0.1		ns ns ns %
	Frequency Response-Switch "ON" (Frequency at -3 dB)	V <sub>C</sub> = V <sub>DD</sub> = 5V, V <sub>SS</sub> = -5V, R <sub>L</sub> = 1 kΩ, V <sub>IS</sub> = 5V <sub>p-p</sub> , 20 Log <sub>10</sub> V <sub>OS</sub> /V <sub>OS</sub> (1 kHz) - dB, (Figure 4)		40		MHz

## AC Electrical Characteristics\* (Continued) $T_A = 25^\circ\text{C}$ , $t_r = t_f = 20\text{ ns}$ and $V_{SS} = 0\text{V}$ unless otherwise noted

Symbol	Parameter	Conditions	Min	Typ	Max	Units
	Feedthrough — Switch "OFF" (Frequency at $-50\text{ dB}$ )	$V_{DD} = 5.0\text{V}$ , $V_{CC} = V_{SS} = -5.0\text{V}$ , $R_L = 1\text{ k}\Omega$ , $V_{IS} = 5.0\text{V}_{\text{p-p}}$ , $20\text{ Log}_{10}$ , $V_{OS}/V_{IS} = -50\text{ dB}$ , (Figure 4)		1.25		
	Crosstalk Between Any Two Switches (Frequency at $-50\text{ dB}$ )	$V_{DD} = V_{C(A)} = 5.0\text{V}$ ; $V_{SS} = V_{C(B)} = 5.0\text{V}$ , $R_L 1\text{ k}\Omega$ , $V_{IS(A)} = 5.0\text{V}_{\text{p-p}}$ , $20\text{ Log}_{10}$ , $V_{OS(B)}/V_{IS(A)} = -50\text{ dB}$ (Figure 5)		0.9		MHz
	Crosstalk; Control Input to Signal Output	$V_{DD} = 10\text{V}$ , $R_L = 10\text{ k}\Omega$ , $R_{IN} = 1.0\text{ k}\Omega$ , $V_{CC} = 10\text{V}$ Square Wave, $C_L = 50\text{ pF}$ (Figure 6)		150		mV <sub>p-p</sub>
	Maximum Control Input	$R_L = 1.0\text{ k}\Omega$ , $C_L = 50\text{ pF}$ , (Figure 7) $V_{OS(f)} = 1/2 V_{OS}(1.0\text{ kHz})$		6.0		MHz
		$V_{DD} = 5.0\text{V}$		8.0		MHz
		$V_{DD} = 10\text{V}$		8.5		MHz
$C_{IS}$	Signal Input Capacitance			8.0		pF
$C_{OS}$	Signal Output Capacitance	$V_{DD} = 10\text{V}$		8.0		pF
$C_{IOS}$	Feedthrough Capacitance	$V_C = 0\text{V}$		0.5		pF
$C_{IN}$	Control Input Capacitance			5.0	7.5	pF

\*AC Parameters are guaranteed by DC correlated testing.

**Note 1:** "Absolute Maximum Ratings" are those values beyond which the safety of the device cannot be guaranteed. They are not meant to imply that the devices should be operated at these limits. The tables of "Recommended Operating Conditions" and "Electrical Characteristics" provide conditions for actual device operation.

**Note 2:**  $V_{SS} = 0\text{V}$  unless otherwise specified.

**Note 3:** These devices should not be connected to circuits with the power "ON".

**Note 4:** In all cases, there is approximately  $5\text{ pF}$  of probe and jig capacitance in the output; however, this capacitance is included in  $C_L$  wherever it is specified.

**Note 5:**  $V_{IS}$  is the voltage at the in/out pin and  $V_{OS}$  is the voltage at the out/in pin.  $V_C$  is the voltage at the control input.

**Note 6:** Conditions for  $V_{IHC}$ : a)  $V_{IS} = V_{DD}$ ,  $I_{OS} = \text{standard B series } I_{OH}$  b)  $V_{IS} = 0\text{V}$ ,  $I_{OL} = \text{standard B series } I_{OL}$ .

## AC Test Circuits and Switching Time Waveforms

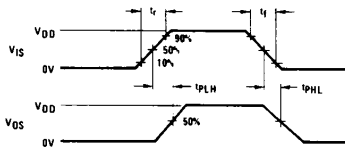
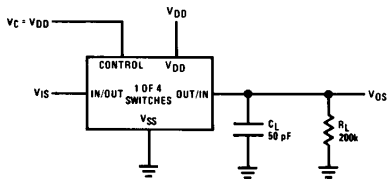


FIGURE 1.  $t_{PHL}$ ,  $t_{PLH}$  Propagation Delay Time Signal Input to Signal Output

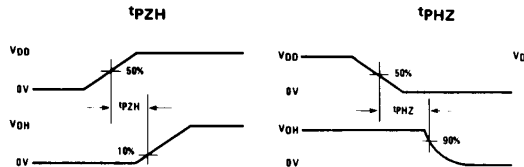
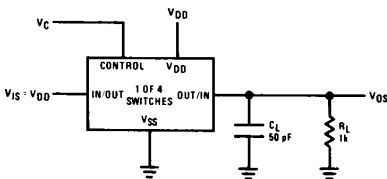


FIGURE 2.  $t_{PZH}$ ,  $t_{PHZ}$  Propagation Delay Time Control to Signal Output

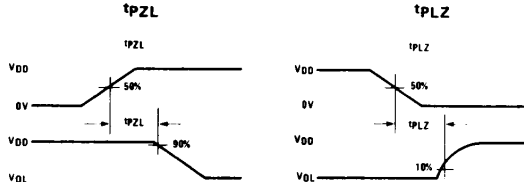
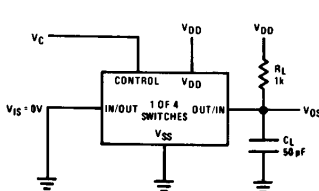


FIGURE 3.  $t_{PZL}$ ,  $t_{PLZ}$  Propagation Delay Time Control to Signal Output

TL/F/5665-2

## AC Test Circuits and Switching Time Waveforms (Continued)

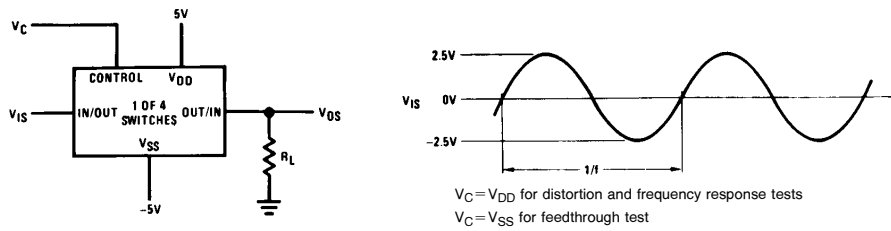


FIGURE 4. Sine Wave Distortion, Frequency Response and Feedthrough

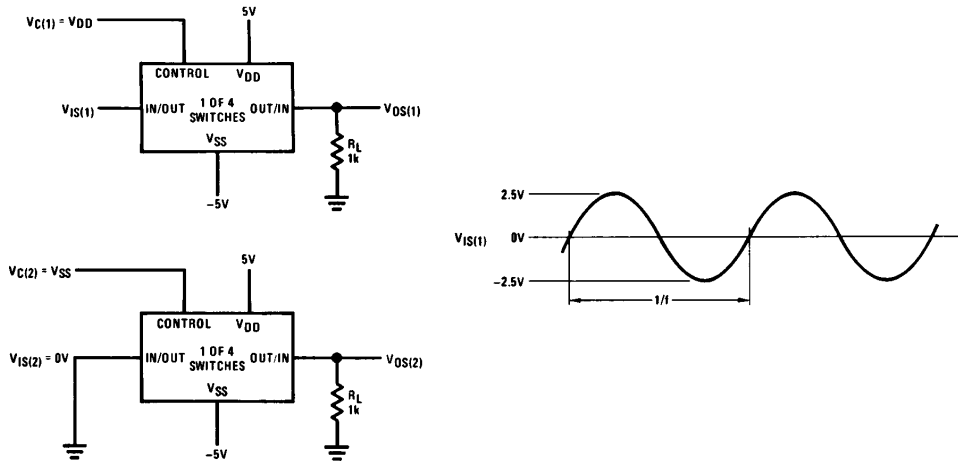


FIGURE 5. Crosstalk Between Any Two Switches

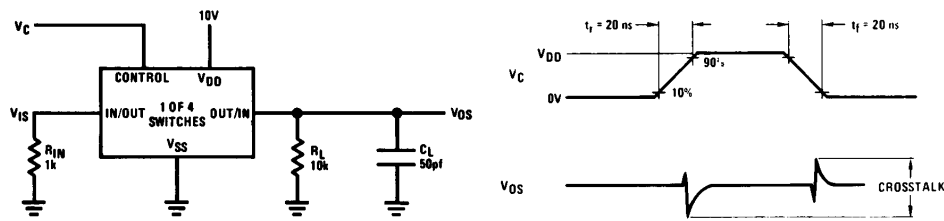


FIGURE 6. Crosstalk: Control Input to Signal Output

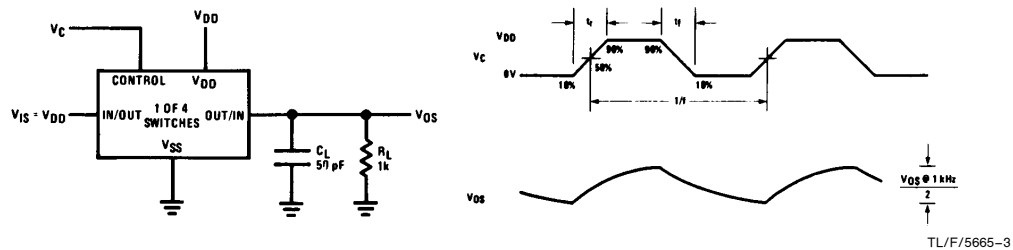
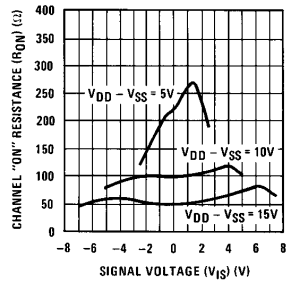


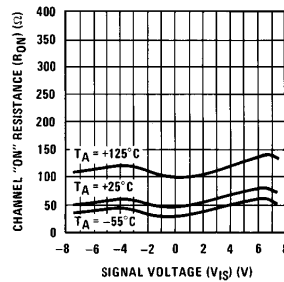
FIGURE 7. Maximum Control Input Frequency

## Typical Performance Characteristics

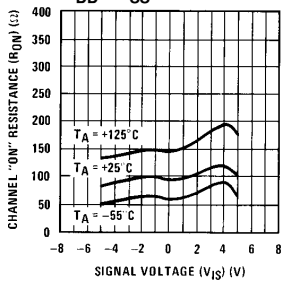
“ON” Resistance vs Signal Voltage for  $T_A = 25^\circ\text{C}$



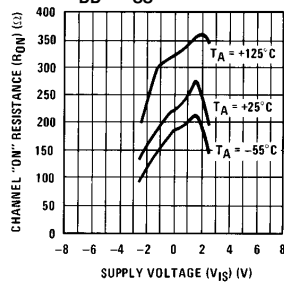
“ON” Resistance as a Function of Temperature for  $V_{DD} - V_{SS} = 15\text{V}$



“ON” Resistance as a Function of Temperature for  $V_{DD} - V_{SS} = 10\text{V}$



“ON” Resistance as a Function of Temperature for  $V_{DD} - V_{SS} = 5\text{V}$



TL/F/5665-4

## Special Considerations

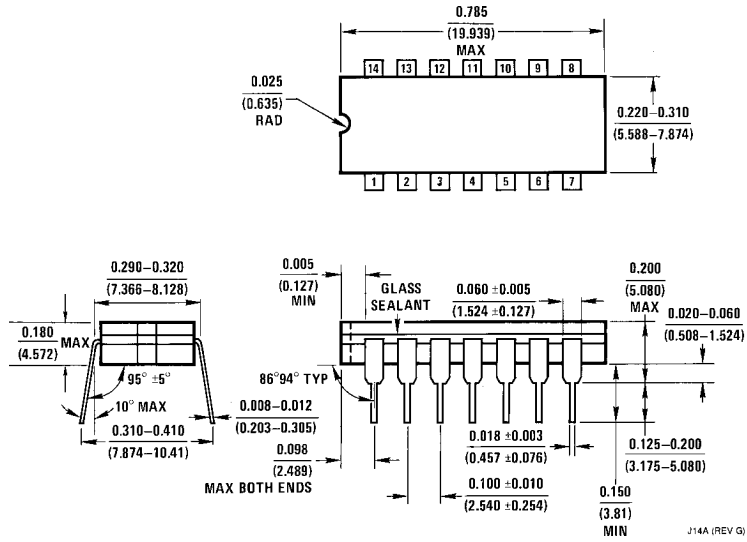
In applications where separate power sources are used to drive  $V_{DD}$  and the signal input, the  $V_{DD}$  current capability should exceed  $V_{DD}/R_L$  ( $R_L$  = effective external load of the 4 CD4066BM/CD4066BC bilateral switches). This provision avoids any permanent current flow or clamp action of the  $V_{DD}$  supply when power is applied or removed from CD4066BM/CD4066BC.

In certain applications, the external load-resistor current may include both  $V_{DD}$  and signal-line components. To avoid

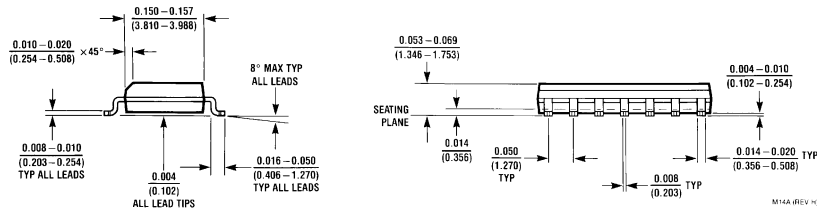
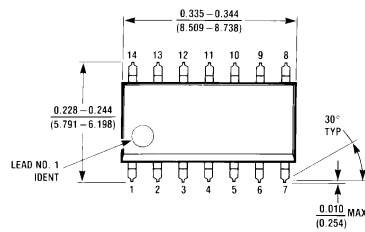
drawing  $V_{DD}$  current when switch current flows into terminals 1, 4, 8 or 11, the voltage drop across the bidirectional switch must not exceed 0.6V at  $T_A \leq 25^\circ\text{C}$ , or 0.4V at  $T_A > 25^\circ\text{C}$  (calculated from  $R_{ON}$  values shown).

No  $V_{DD}$  current will flow through  $R_L$  if the switch current flows into terminals 2, 3, 9 or 10.

**Physical Dimensions** inches (millimeters)

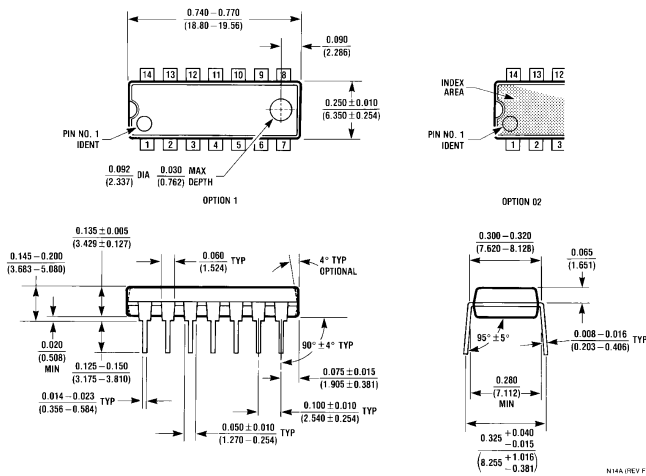


**Cerdip (J)**  
**Order Number CD4066BMJ or CD4066BCJ**  
**NS Package Number J14A**



**S.O. Package (M)**  
**Order Number CD4066BCM**  
**NS Package Number M14A**

**Physical Dimensions** inches (millimeters) (Continued)



**Dual-In-Line Package (N)**  
**Order Number CD4066BMN or CD4066BCN**  
**NS Package Number N14A**

**LIFE SUPPORT POLICY**

NATIONAL'S PRODUCTS ARE NOT AUTHORIZED FOR USE AS CRITICAL COMPONENTS IN LIFE SUPPORT DEVICES OR SYSTEMS WITHOUT THE EXPRESS WRITTEN APPROVAL OF THE PRESIDENT OF NATIONAL SEMICONDUCTOR CORPORATION. As used herein:

1. Life support devices or systems are devices or systems which, (a) are intended for surgical implant into the body, or (b) support or sustain life, and whose failure to perform, when properly used in accordance with instructions for use provided in the labeling, can be reasonably expected to result in a significant injury to the user.
2. A critical component is any component of a life support device or system whose failure to perform can be reasonably expected to cause the failure of the life support device or system, or to affect its safety or effectiveness.



**National Semiconductor Corporation**  
 1111 West Bardin Road  
 Arlington, TX 76017  
 Tel: 1(800) 272-9959  
 Fax: 1(800) 737-7018

**National Semiconductor Europe**  
 Fax: (+49) 0-180-530 85 86  
 Email: cnjwge@tevm2.nsc.com  
 Deutsch Tel: (+49) 0-180-530 85 85  
 English Tel: (+49) 0-180-532 78 32  
 Français Tel: (+49) 0-180-532 93 58  
 Italiano Tel: (+49) 0-180-534 16 80

**National Semiconductor Hong Kong Ltd.**  
 19th Floor, Straight Block,  
 Ocean Centre, 5 Canton Rd.  
 Tsimshatsui, Kowloon  
 Hong Kong  
 Tel: (852) 2737-1600  
 Fax: (852) 2736-9960

**National Semiconductor Japan Ltd.**  
 Tel: 81-043-299-2309  
 Fax: 81-043-299-2408

National does not assume any responsibility for use of any circuitry described, no circuit patent licenses are implied and National reserves the right at any time without notice to change said circuitry and specifications.