

45W BTL SINGLE AUDIO POWER AMPLIFIER

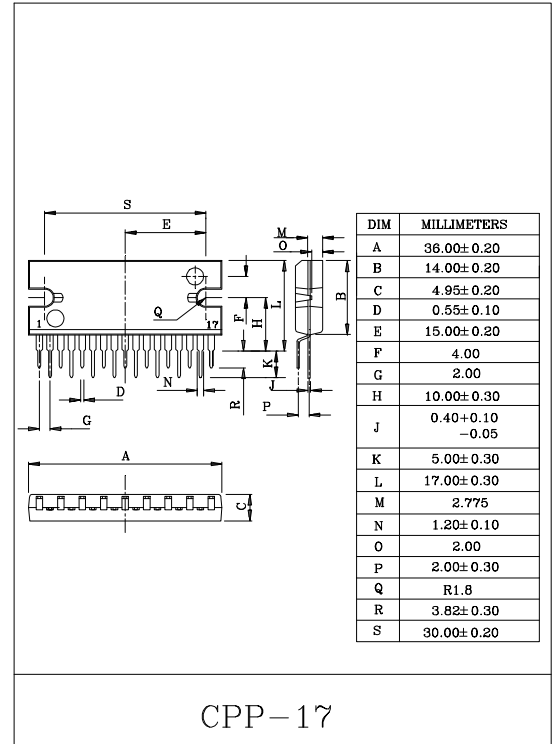
The KIA8225H is BTL audio power amplifier for consumer application.

It is designed for high power, low distortion and low noise. It contains various kind protectors and the function of stand-by SW.

In addition, the functions of output short or over voltage detection and junction temperature are involved.

FEATURES

- High Power
 - : $P_{OUT(1)}=45W(Typ.)$
($V_{CC}=14.4V$, $f=1kHz$, $THD=10\%$, $R_L=2\Omega$)
 - : $P_{OUT(2)}=40W(Typ.)$
($V_{CC}=13.2V$, $f=1kHz$, $THD=10\%$, $R_L=2\Omega$)
 - : $P_{OUT(3)}=24W(Typ.)$
($V_{CC}=13.2V$, $f=1kHz$, $THD=10\%$, $R_L=4\Omega$)
- Low Thermal Resistance
 - : $\theta_{j-c}=1.5^{\circ}C/W$ (Infinite Heat Sink)
- Excellent Output Power Band Width
 - : $P_{OUT(4)}=18W(Typ.)$
($V_{CC}=13.2V$, $f=50Hz\sim 20kHz$, $THD=1\%$, $R_L=4\Omega$)
- Low Distortion Ratio
 - : $THD=0.015\%(Typ.)$ Z
($V_{CC}=13.2V$, $f=1kHz$, $P_{out}=4W$, $R_L=4\Omega$)
- Built-in stand-by function (With Pin② set at high, power is turned ON)
- Built-in Output Short or Over Voltage Detection Circuit, Output to V_{CC} and Output to GND Short. (Pin⑧ : Open Collector)
- Built-in Junction Temperature Detection Circuit (Pin②:Open Collector)
- Built-in various protection circuit.
 - : Thermal shut down, over voltage,
 - : Output to GND Short
 - : Output to V_{CC} Short
 - : Output to Output Short.
- Operating supply voltage. : $V_{CC(opr)}=9\sim 18V$.



MAXIMUM RATINGS (Ta=25°C)

CHARACTERISTIC	SYMBOL	RATING	UNIT
Peak Supply Voltage (0.2sec)	$V_{CC (surge)}$	50	V
DC Supply Voltage	$V_{CC (DC)}$	25	V
Operating Supply Voltage	$V_{CC (opr)}$	18	V
Output Current (Peak)	$I_{O (peak)}$	9	A
Power Dissipation	$P_D *$	50	W
Operating Temperature	T_{opr}	-30~85	°C
Storage Temperature	T_{stg}	-55~150	°C

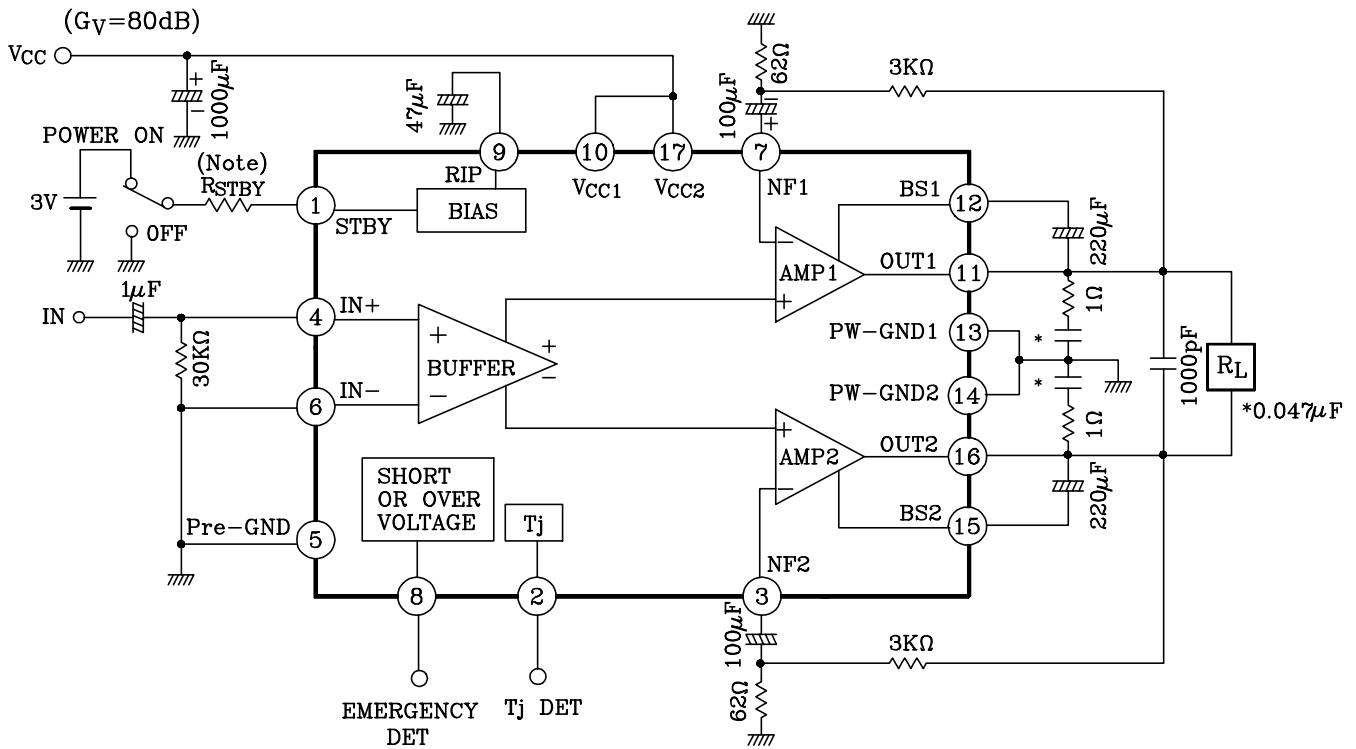
KIA8225H

ELECTRICAL CHARACTERISTICS

(Unless otherwise specified, $V_{CC}=13.2V$, $R_L=4\Omega$, $f=1kHz$, $T_a=25^\circ C$)

CHARACTERISTIC	SYMBOL	TEST CIRCUIT	TEST CONDITION	MIN.	TYP.	MAX.	UNIT
Quiescent Current	I_{CCQ}	-	$V_{IN}=0$	-	150	250	mA
Output Power	$P_{OUT(1)}$	-	$V_{CC}=14.4V$, THD=10% $R_L=2\Omega$	-	45	-	W
	$P_{OUT(2)}$	-	$V_{CC}=13.7V$, MAX power	33	40	-	
	$P_{OUT(3)}$	-	$V_{CC}=14.4V$, THD=10%	20	24	-	
	$P_{OUT(4)}$	-	THD=10%	-	18	-	
Total Harmonic Distortion Ratio	THD	-	$P_{OUT}=3W$	-	0.015	0.07	%
Voltage Gain	G_V	-	$V_{OUT}=0.775V_{rms}$ (0dBm)	38.5	40	41.5	dB
Output Noise Voltage	$V_{NO} (1)$	-	$R_g=0\Omega$, DIN45405	-	0.26	-	dB
	$V_{NO} (2)$	-	$R_g=0\Omega$, BW=20Hz~20kHz	-	0.23	0.5	
Ripple Rejection Ratio	R.R.	-	$f_{ripple}=100Hz$, $R_g=620\Omega$ $V_{rip}=0.775V_{rms}$ (0dBm)	50	60	-	mV
Output Offset Voltage	V_{OFFSET}	-	-	-100	0	100	μA
Current at Stan-By State	I_{SB}	-	Mute'on, $V_{OUT}=7.75V_{rms}$ (20dBm) at Mute'off	-	1	30	dB

TEST CIRCUIT & BLOCK DIAGRAM



KIA8225H

CAUTION AND APPLICATION METHOD OF APPLICATION

1. Voltage gain adjustment

Voltage gain G_V of this IC is decided by the external feedback resistors R_{f1} and R_{f2} .

Gain fluctuation by temperature can be made smaller than they are housed in IC.

voltage gain G_V is decided by the following expression :

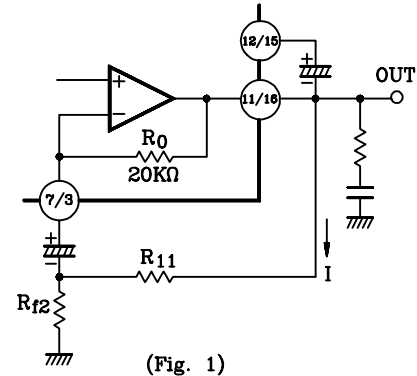
$$\text{If } R_0=20k\Omega \gg R_{f1} > R_{f2} \quad G_V \doteq 20 \log \frac{R_{f1} - R_{f2}}{R_{f2}} + 6(\text{dB})$$

$$\text{If } R_0=20k\Omega > R_{f1} > R_{f2} \quad G_V \doteq 20 \log \frac{(R_0 // R_{f1}) + R_{f2}}{R_{f2}} + 6(\text{dB})$$

If R_{f1} and R_{f2} are made small, the following problems may be caused :

- (1) When output short is released, output DC voltage is not restored.
- (2) Fluctuation of output DC voltage by current I in (Fig1.)

If voltage gain is made small excessively, oscillation may be taken place and therefore, this IC shall be used at $G_V=34\text{dB}$ or above.



2. Preventive measure against oscillation

For preventing the oscillation, it is advisable to use C_4 , the condenser of polyester film having small characteristic fluctuation of the temperature and the frequency.

the condenser (C_6) between input and GND is effective for preventing oscillation which is generated with feedback signal from an output stage.

The resistance R to be series applied to C_4 is effective for phase correction of high frequency, and improves the oscillation allowance.

Since the oscillation allowance is varied according to the causes described below, perform the temperature test to check the oscillation allowance.

- (1) Voltage gain to be used (G_V Setting)
- (2) Capacity value of condenser
- (3) Kind of condenser
- (4) Layout of printed board

In case of its use with the voltage gain G_V reduced or with the feedback amount increased, care must be taken because the phase-inversion is caused by the high frequency resulting in making the oscillation liable generated.

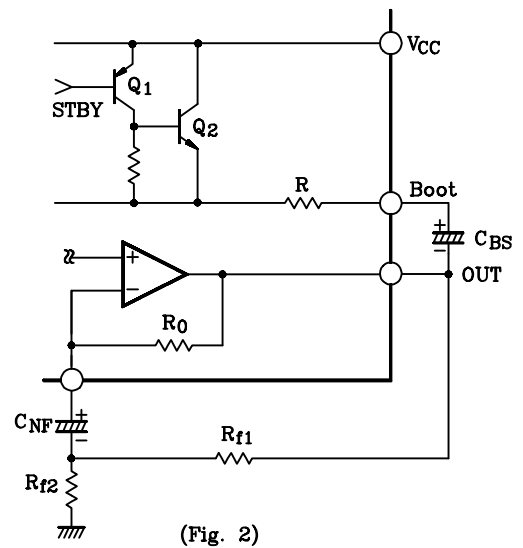
3. Pop Noise

A pop noise generated when the power source is turned ON depends on rise times of the in-phase side output (①pin) and the negative-phase side output offset voltage.

The following two points may be pointed out as causes for generation the output offset voltage :

- (1) In-phase and negative-phase NF capacitor charging time.
- (2) Input offset voltage.

Especially, the factor(2) relates to the pop noise level.



KIA8225H

(1) In-phase and negative phase NF capacitor charging time

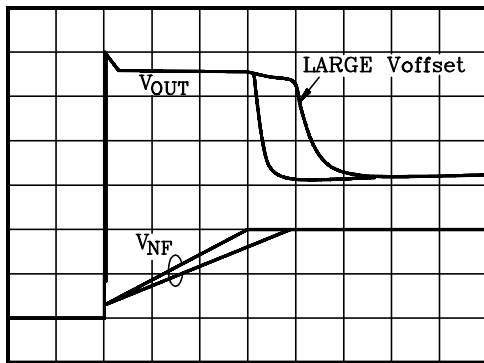
In (Fig2.), when the power source is turned ON, Q_1 and Q_2 are turned ON, and NF capacitors are charged in the route of $V_{CC} \rightarrow Q_2 \rightarrow R \rightarrow \text{Boot} \rightarrow \text{CBS} \rightarrow \text{OUT} \rightarrow \text{RO} \rightarrow \text{CNF}$. For instance, if the capacity of an in-phase capacitor is not produced because a charging time of NF capacitor differs between the in-phase and negative-phase outputs. Therefore, to suppress the pop noise it is necessary to properly pair the in-phase and negative-phase NF capacitors. Output and NF DC voltage waveforms by the pairing of NF capacitors : C_{NF} are shown in (Fig.3) and (Fig.4).

Further, voltage waveforms are shown when the power source was turned ON, under the following conditions :

$V_{CC}=13.2V$, $R_L=4\Omega$, $T_a=25^\circ C$, and input short-circuit.

Output DC Voltage V_{OUT} : (2V/div, 200ms/div)

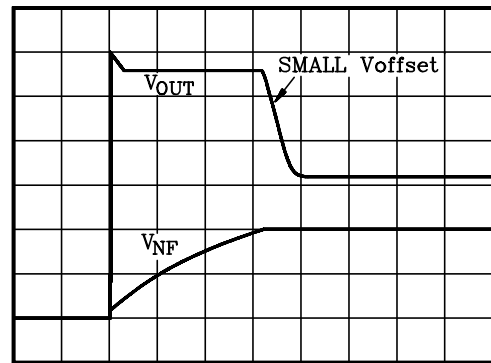
NF DC Voltage V_{NF} : (1V/div, 200ms/div)



LARGE Voffset

(When C_{NF} are improperly paired)

(Fig.3)



SMALL Voffset

(When C_{NF} are properly paired)

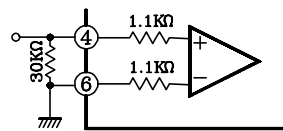
(Fig.4)

(2) Input offset voltage

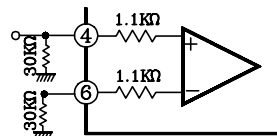
Input offset voltage is increased by as many times as a gain and appears as output offset voltage.

Input offset voltage is affected by an external resistor in addition to properness of pair of Capacitor in IC.

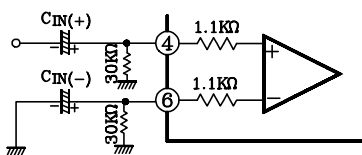
An example of a general application circuit is shown in (Fig.5). In this case, input to the differential amplifier composing the buffer amplifier is decided to be $30k\Omega + 1.1k\Omega = 31.1k\Omega$ at the $IN(+)$ side and $1.1k$ at the $IN(-)$ side. Therefore a rising difference of about 30 times between the $IN(+)$ side and the $IN(-)$ side. So, to fit input offset voltages, it is possible to suppress the input offset voltage by adjusting it to $31.1k\Omega$ both at the $IN(+)$ and $IN(-)$ sides according to the application example shown in (Fig.6). As input coupling capacitors are used in actual set, the circuit shown in (Fig.7) is considered. In this case, it is necessary to take the utmost care of proper pair of $C_{IN(+)}$ and $C_{IN(-)}$.



(Fig.5)



(Fig.6)



(Fig.7)

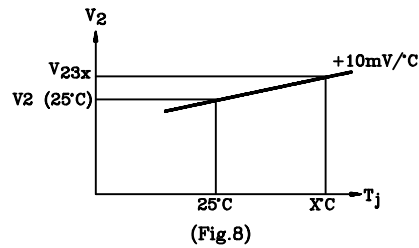
KIA8225H

4. Junction temperature detecting pin ②

Using temperature characteristic of a band gap circuit and in proportion to junction temperature, pin ② DC voltage : V_2 rises at about $\pm 10\text{mV}/^\circ\text{C}$ temperature characteristic. So, the relation between V_2 at $T_j=25^\circ\text{C}$ and $V_2\chi$ at $T_j=\chi^\circ\text{C}$ is decided by the following expression :

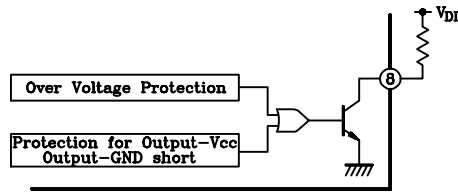
$$T(\chi^\circ\text{C}) = \frac{V_2\chi - V_2(25^\circ\text{C})}{10\text{mV}/^\circ\text{C}} + 25(^\circ\text{C})$$

In deciding a heat sink size, a junction temperature can be easily made clear by measuring voltage at this pin while a backside temperature of IC was so far measured using a thermocouple type thermometer.



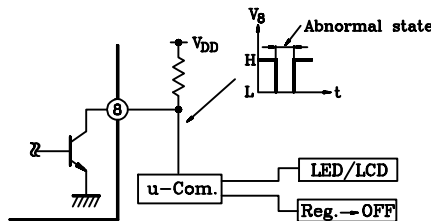
5. Output- V_{CC} short, output-GND short and over voltage detecting pin ⑧

In case of such abnormalities as output- V_{CC} short, output-GND short, overvoltage (Fig.9), it is possible to inform the abnormal state to the outside by turning a NPN transistor is turned ON.



(Fig.9)

It is possible to improve the reliability of not only power IC but also an entire equipment by (1) display by LED and LCD and (2) by turning the power supply relay off.



(Fig.10)

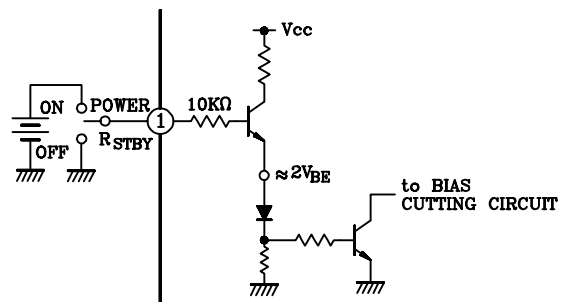
6. Stand-by SW function

By means of controlling pin ① (Stand-by terminal) to High and Low, the power supply can be set to ON and OFF.

the threshold voltage of pin ① is set at about $3V_{BE} \approx 2.1\text{V}(\text{Typ.})$, and the power supply current is about $1\mu\text{A}(\text{Typ.})$ at the stand-by state.

Control Voltage of ① pin : $V_{(SB)}$

Stand-By	Power	$V_{(SB)}$ (V)
ON	OFF	0~2
OFF	ON	3~ V_{CC}

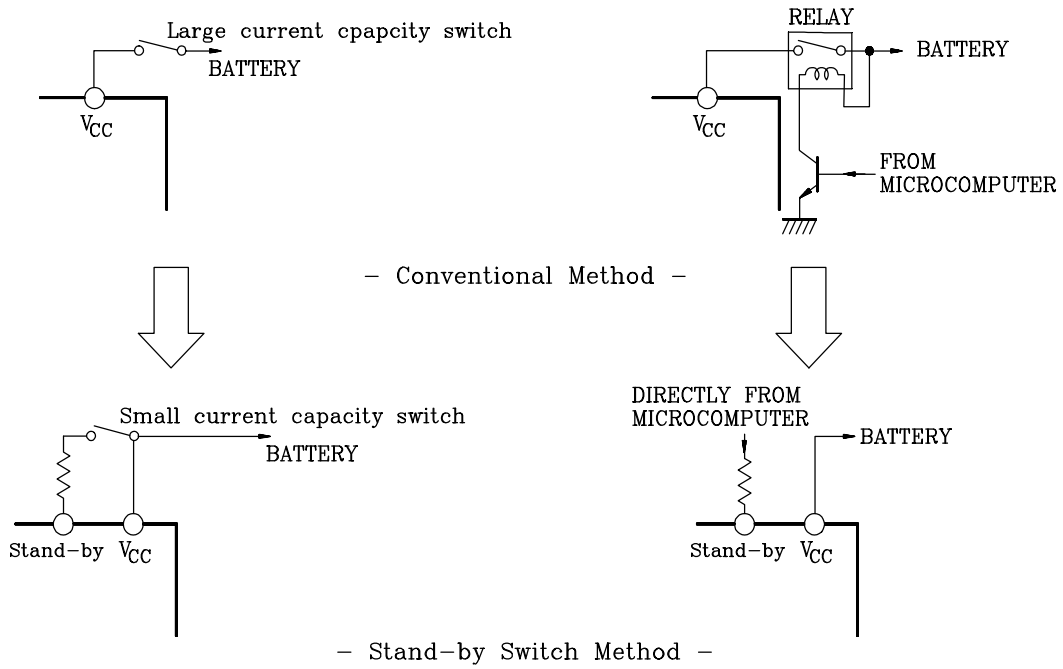


(Fig.11) with pin ① set to high, power is turned ON.

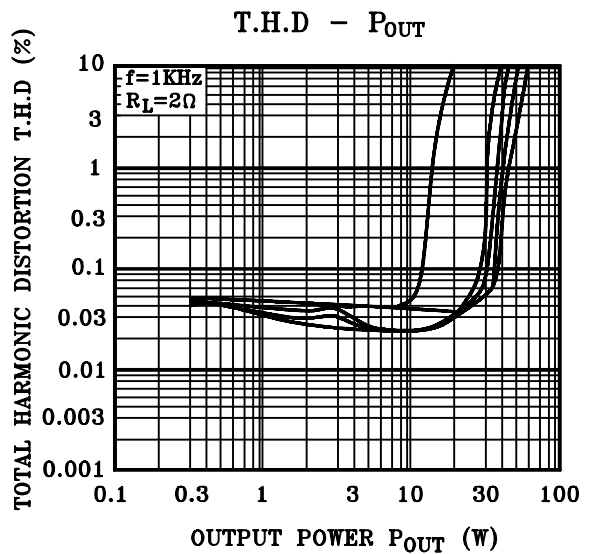
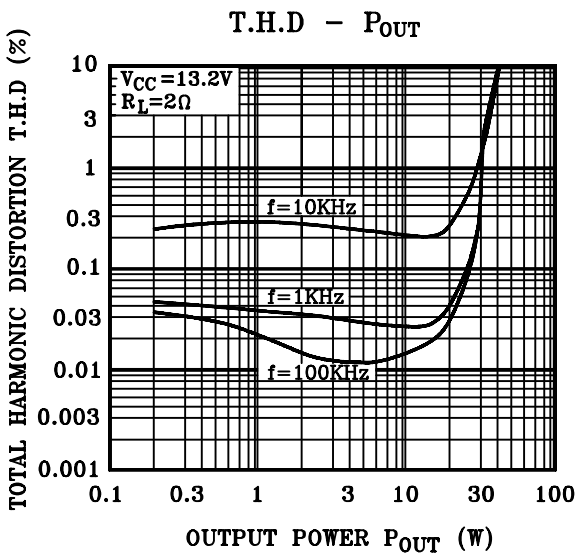
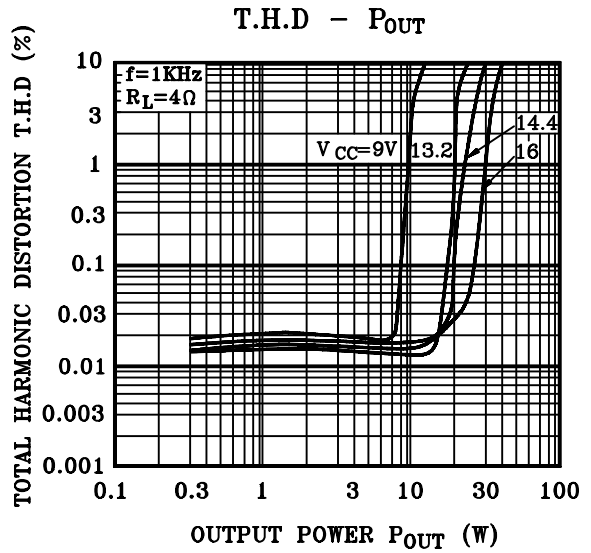
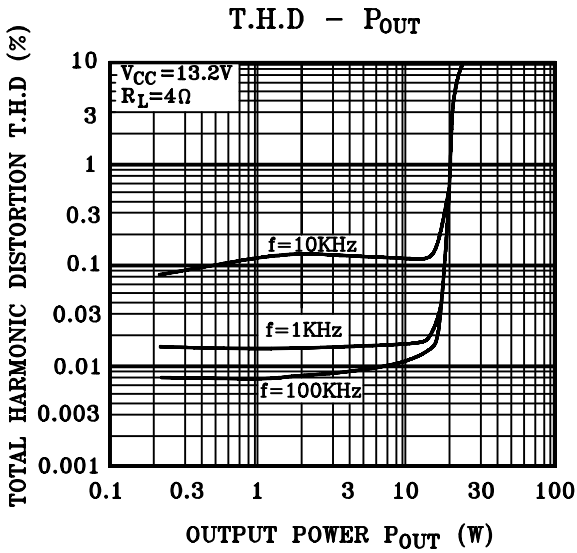
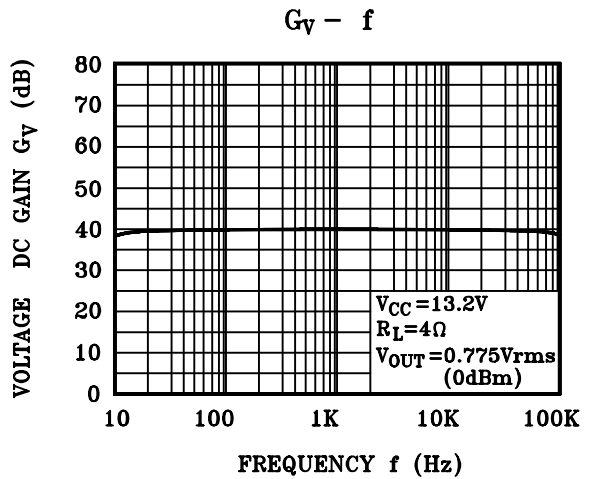
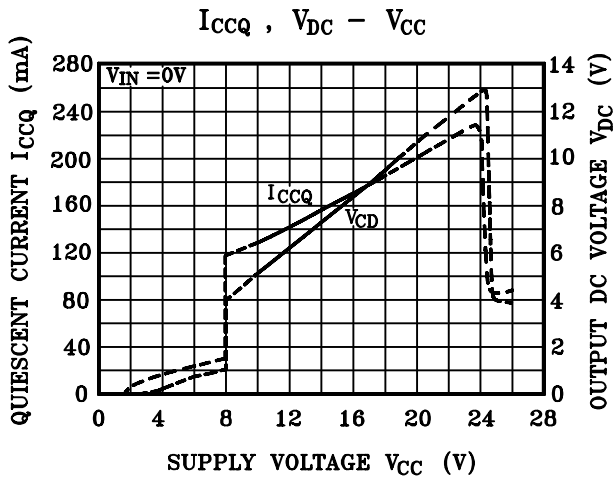
KIA8225H

<Caution>

Must be set the control voltage value less than V_{CC} when the stand-by terminal (pin①) is applied.
In this case, we recommended the series connecting resistance for current limit : R_{STBY}
($100k\Omega \sim 1k\Omega$ to pin ①)

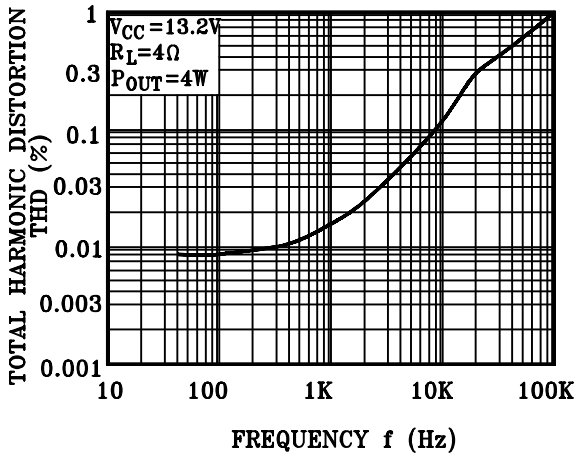


KIA8225H

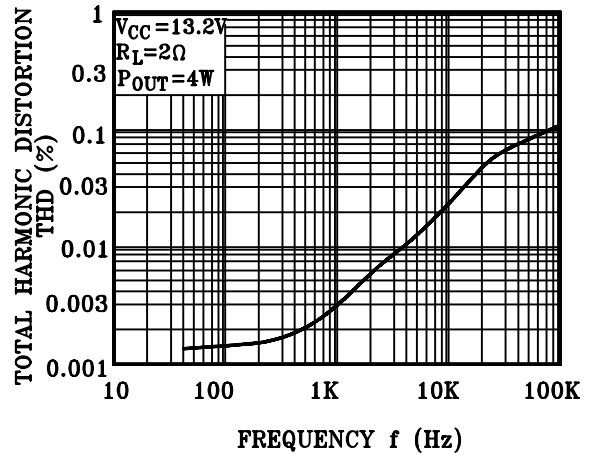


KIA8225H

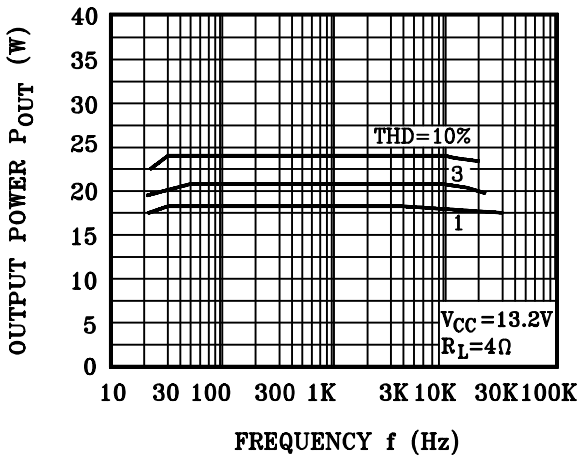
T.H.D - f



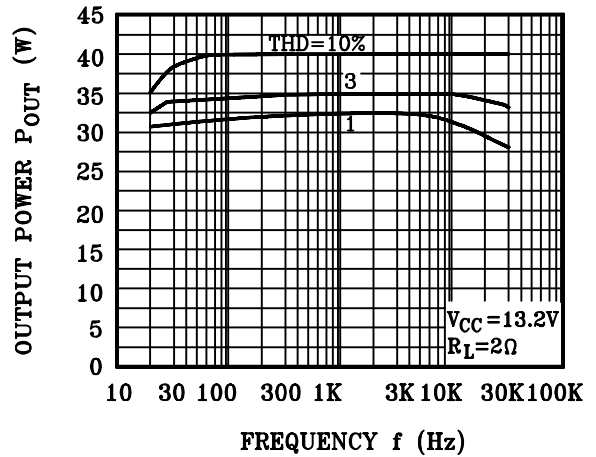
T.H.D - f



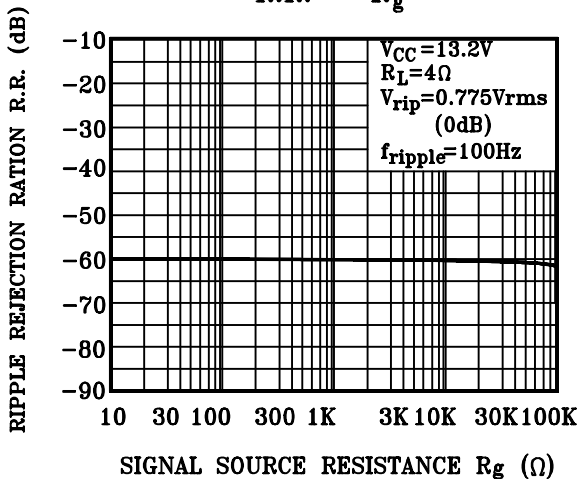
P_{OUT} - f



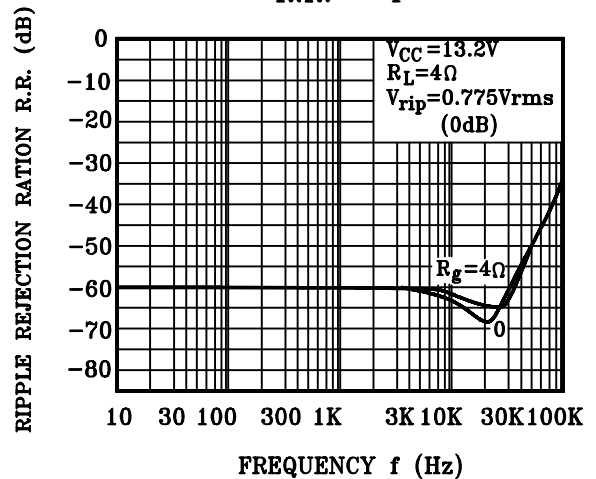
P_{OUT} - f



R.R. - R_g



R.R. - f



KIA8225H

