



LA4537M

Power Amplifier for 1.5V Headphone Stereos

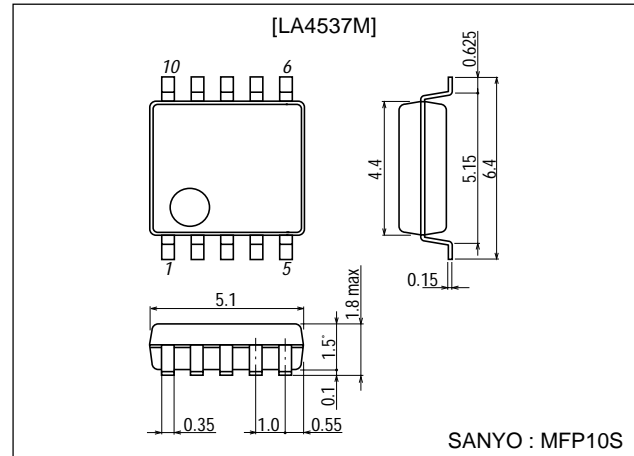
Features

- Low current drain.
- 16Ω load drive capability.
- Excellent reduced voltage characteristics.
- Excellent power supply ripple rejection.
- Minimum number of external parts required (no input capacitor, feedback capacitor required).
- Less harmonic interference in radio band.
- On-chip power switch function, muting function.

Package Dimensions

unit:mm

3086A-MFP10S



Specifications

Absolute Maximum Ratings at Ta = 25°C

Parameter	Symbol	Conditions	Ratings	Unit
Maximum supply voltage	V _{CC} max	Quiescent	4.5	V
Allowable power dissipation	Pd max		300	mW
Operating temperature	T _{opr}		-20 to +75	°C
Storage temperature	T _{stg}		-40 to +125	°C

Operating Conditions at Ta = 25°C

Parameter	Symbol	Conditions	Ratings	Unit
Recommended supply voltage	V _{CC}		1.5	V
Operating voltage range	V _{CC} op		0.9 to 4.0	V
Recommended load resistance	R _L		16 to 32	Ω

Operating Characteristics at Ta = 25°C, R_L=16Ω, R_g=600Ω, See specified Test Circuit.

Parameter	Symbol	Conditions	Ratings			Unit
			min	typ	max	
Quiescent current	I _{cco1}	V _{CC} =1.2V, quiescent		3.5	6.0	mA
	I _{cco2}	V _{CC} =2.5V, pin 10 → GND		1.4	2.5	mA
	I _{cco3}	V _{CC} =2.5V, pin 1 → GND			1.0	μA
Voltage gain	V _G	V _{CC} =1.2V, f=1kHz, V _O =-20dBm	28.5	30.0	31.5	dB
Voltage gain difference	ΔV _G	V _{CC} =1.2V, f=1kHz, V _O =-20dBm			1.0	dB

Continued on next page.

- Any and all SANYO products described or contained herein do not have specifications that can handle applications that require extremely high levels of reliability, such as life-support systems, aircraft's control systems, or other applications whose failure can be reasonably expected to result in serious physical and/or material damage. Consult with your SANYO representative nearest you before using any SANYO products described or contained herein in such applications.
- SANYO assumes no responsibility for equipment failures that result from using products at values that exceed, even momentarily, rated values (such as maximum ratings, operating condition ranges, or other parameters) listed in products specifications of any and all SANYO products described or contained herein.

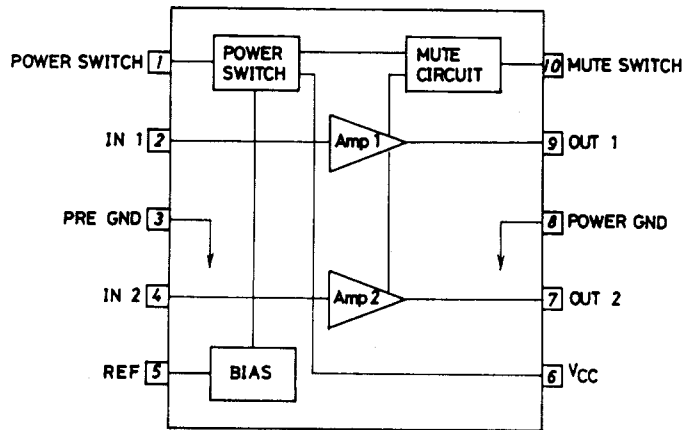
LA4537M

Continued from preceding page.

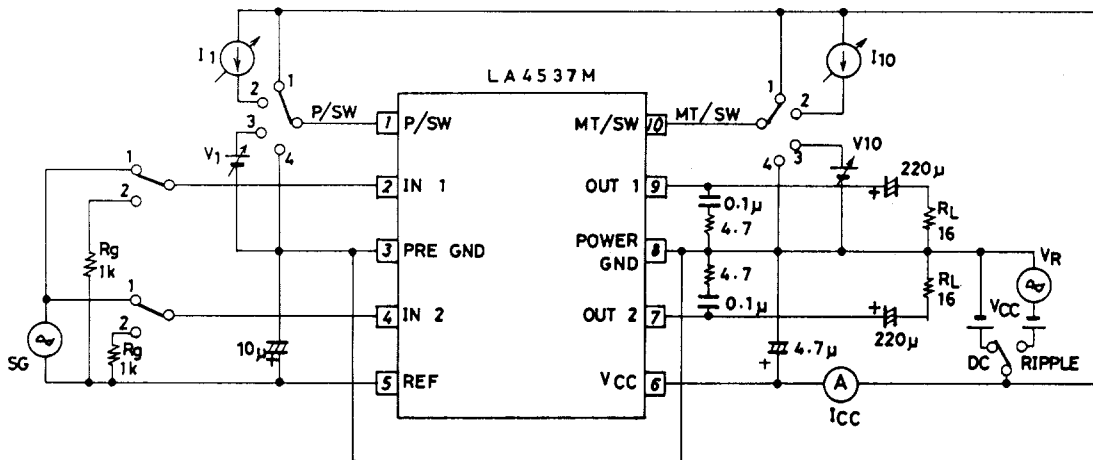
Parameter	Symbol	Conditions	Ratings			Unit
			min	typ	max	
Total harmonic distortion	THD	$V_{CC}=1.2V, f=1kHz, P_O=0.5mW$		0.5	1.5	%
Output power	P_O	$V_{CC}=1.5V, f=1kHz, THD=10\%$	5	8		mW
Crosstalk	CT	$V_{CC}=1.2V, f=100Hz, R_g=1k\Omega, V_O=-20dB$	40	45		dB
Ripple rejection	SVRR	$V_{CC}=1.0V, f=100Hz, R_g=1k\Omega, V_R=-30dBm, BPF=100Hz$	40	46		dB
Output noise voltage	V_{NO}	$V_{CC}=2.5V, R_g=1k\Omega, BPF=20Hz \text{ to } 20kHz$		55	80	μV
Power on current sensitivity	I_1 (on)	$V_{CC}=0.85V, V_5 \geq 0.5V$		0.1	1.0	μA
Power off voltage sensitivity	V_1 (off)	$V_{CC}=0.85V, V_5 \leq 0.1V$	0.5	0.6		V
Muting off current sensitivity	I_{10} (off)	$V_{CC}=0.85V, V_5 \geq 0.5V$		0.1	1.0	μA
Muting on voltage sensitivity	V_{10} (on)	$V_{CC}=0.85V, V_5 \leq 0.1V$	0.5	0.6		V

Note) The quiescent current is represented by the current flowing into pin 6. The respective maximum currents flowing into pin 1 and pin 10 are calculated by $(\text{pin voltage} - 0.5) / 16$ [V/k Ω] and the total current increases by these current values.

Equivalent Circuit Block Diagram



Test Circuit



Unit (resistance : Ω , capacitance : F)

