

<b>SANYO</b>	No.2088E	LA4558
		2-Channel AF Power Amp

**Features**

- Low quiescent current
- On-chip 2 channels permitting use in stereo and bridge amplifier applications
- High output
- Minimum number of external parts required (9 pcs. minimum)
- Good ripple rejection (60dB)
- Soft tone at the output saturation mode
- Good channel separation
- Easy thermal design
- Small pop noise at the time of power supply ON/OFF

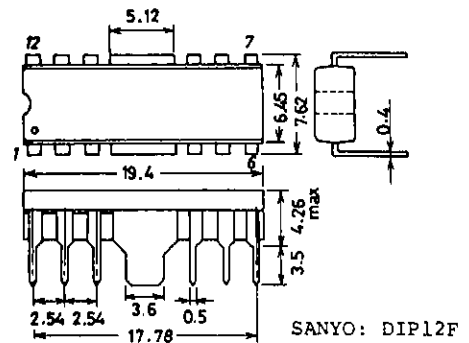
**Maximum Ratings at Ta = 25°C**

Maximum Supply Voltage	V <sub>CC max</sub>	Quiescent	15	V
		Operating	12	V
Allowable Power Dissipation	P <sub>d max</sub>	With recommended PCB	4	W
Operating Temperature	T <sub>opr</sub>		-20 to +75	°C
Storage Temperature	T <sub>stg</sub>		-55 to +150	°C

**Operating Conditions at Ta = 25°C**

Recommended Supply Voltage	V <sub>CC</sub>		7.5 to 9.0	V
Recommended Load Resistance	R <sub>L</sub>	Stereo	3 to 8	Ω
		BTL	8	Ω
Operating Voltage Range	V <sub>CC op</sub>		4.5 to 12	V

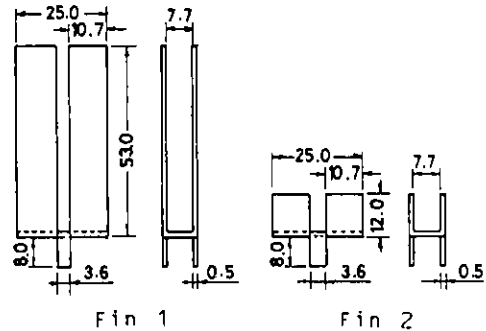
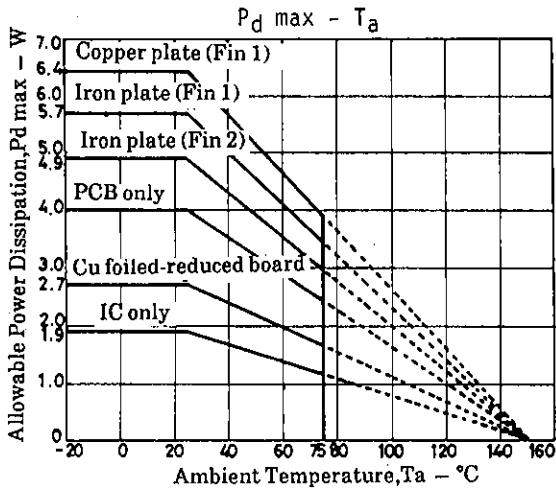
**Package Dimensions**  
(unit: mm)  
3022A



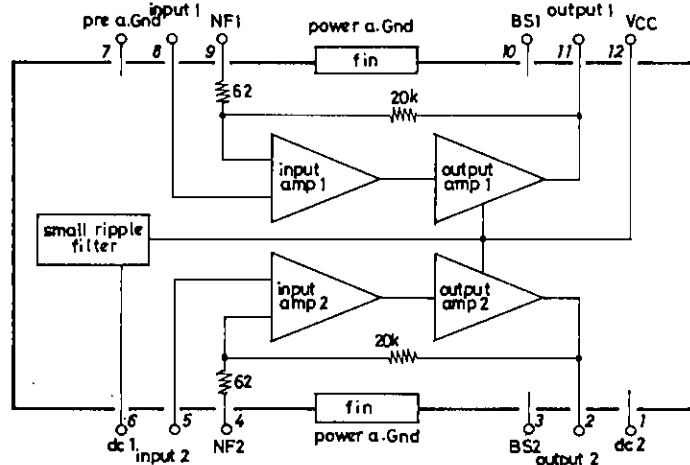
# LA4558

Operating Characteristics at  $T_a = 25^\circ\text{C}$ ,  $V_{CC} = 9\text{V}$ ,  $f = 1\text{kHz}$ ,  $R_g = 600\Omega$ ,  $R_L = 4\Omega$ ,  $V_G = 50\text{dB}$ ,

			min	typ	max	unit
		See specified Test Circuit.				
Quiescent Current	$I_{CCO}$	$R_g = 0$		20	40	mA
Voltage Gain	$V_G$	$V_{IN} = -50\text{dBm}$	48	50	52	dB
Voltage Gain Difference	$\Delta V_G$	$V_{IN} = -50\text{dBm}$			$\pm 1$	dB
Output Power	$P_o$	THD = 10%, stereo	1.7	2.4		W
		THD = 10%, BTL ( $R_L = 8\Omega$ )			4.5	W
Total Harmonic Distortion	THD	$P_o = 250\text{mW}$		0.3	1.0	%
Input Resistance	$r_i$		21	30		$k\Omega$
Output Noise Voltage	$V_{NO}$	$R_g = 0$ , stereo		0.5	1.0	mV
		$R_g = 10k\Omega$ , stereo		0.8	2.0	mV
Ripple Rejection	$R_r$	$R_g = 0$ , $f_R = 100\text{Hz}$ , $V_{CCR} = 0\text{dBm}$	55	60		dB
Crosstalk	$CT$	$R_g = 10k\Omega$ , $V_O = 0\text{dBm}$	45	55		dB

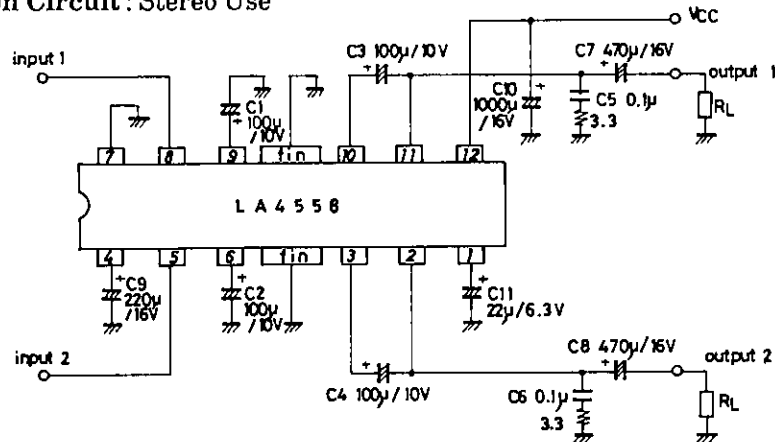


## Equivalent Circuit Block Diagram

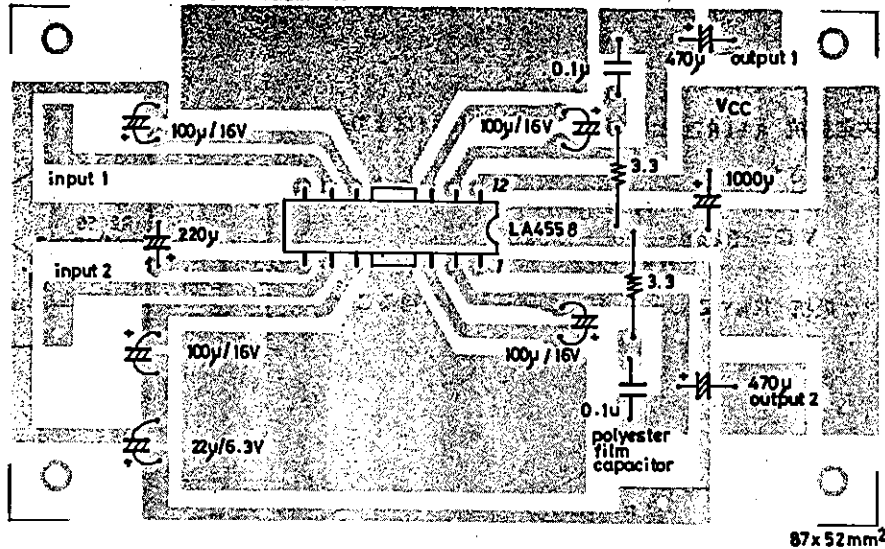


Unit (resistance:  $\Omega$ , capacitance: F)

## Sample Application Circuit: Stereo Use

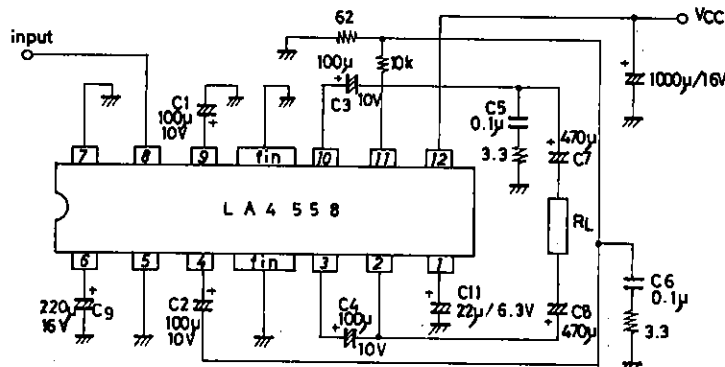


Sample Printed Circuit Pattern (Cu-foiled side)



Sample Application Circuit : Bridge Amp Use

Unit (resistance: Ω, capacitance: F)



Description of External Parts

C1 (C2): Feedback capacitor. The low cutoff frequency is determined by the following formula.

$$f_L = \frac{1}{2\pi C1 R_f}$$

$f_L$ : Low cutoff frequency

$R_f$ : Feedback resistor

Since this capacitor as well as decoupling capacitor affects the starting time, the capacitor value must be fixed with the necessary low frequency band fully considered.

C3 (C4): Bootstrap capacitor. The output at low frequencies depends on this capacitor. Decreasing the capacitor value lowers the output at low frequencies. A capacitor value of 47µF or more is required.

C5 (C6): Oscillation blocking capacitor. Use a polyester film capacitor that is good in high frequency response and temperature characteristic. the use of an electrolytic capacitor, ceramic capacitor may cause oscillation to occur at low temperatures.

C7 (C8): Output capacitor. The low cutoff frequency is determined by the following formula.

$$f_L = \frac{1}{2\pi C7 R_L}$$

$f_L$ : Low cutoff frequency

$R_L$ : Load resistance

To make the low frequency response in the bridge amplifier mode identical with that in the stereo mode, the capacitor value must be doubled.

C9: Decoupling capacitor CD1. Used for the ripple filter. Since the rejection effect is saturated at a certain capacitor value, it is meaningless to increase the capacitor value more than needed. This capacitor, being also used for the time constant of the muting circuit, affects the starting time.

Continued on next page.

Continued from preceding page.

C10: Power source capacitor

C11: Decoupling capacitor CD2. Used for the ripple filter. Particularly effective for transient characteristic.

**Application Circuits**

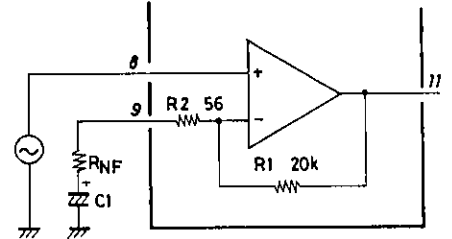
Voltage gain adjust

· Stereo mode

The voltage gain is determined by on-chip resistor R1 (R2) and external feedback resistor R<sub>NF</sub> as follows :

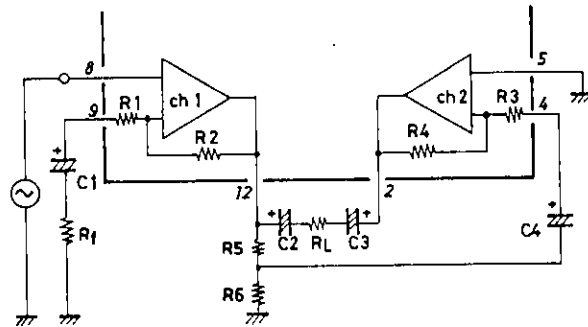
$$VG = 20 \log \frac{R1}{R_{NF} + R2} \text{ [dB]}$$

Any voltage gain can be obtained by external resistor R<sub>NF</sub>.



Unit (resistance: Ω)

· Bridge amplifier mode



The CH1 is a noninverting amplifier and the CH2 is an inverting amplifier. The total voltage gain, being apparently higher than that of the CH1 by 6dB, is approximately calculated by the following formula.

$$VG = 20 \log R2/R1 + 6 \text{ (dB)}$$

To reduce the voltage gain, R<sub>f</sub> is connected and the following formula is used.

$$VG = 20 \log R2/Rf + R1 + 6 \text{ (dB)}$$

**Proper cares in using LA4558-applied set**

1. Slider contact noise of variable resistor

Since the input circuit uses PNP transistors, no input coupling capacitor is required. However, if slider contact noise of the variable resistor presents any problem, connect a capacitor in series with input.

2. Pop noise

If pop noise generated at the time of power ON/OFF disturbs you, connect a resistor of 500Ω to 1kΩ across the middle point and GND.

**Thermal Désign**

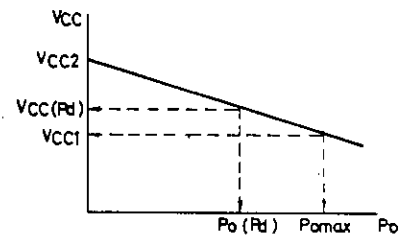
Since the DIP-12F package is such that the Cu-foiled area of the printed circuit board is used to dissipate heat, make the Cu-foiled area in the vicinity of the heat sink of the IC as large as possible when designing the printed circuit board. Power dissipation Pd is increased depending on the supply voltage and load. So, it is recommended to use the printed circuit board together with the heat sink. The following is a formula to be used to calculated Pd (for stereo use). For AC power supply, however, it is recommended to actually measure Pd on the transformer of each set. For bridge amplifier use, Pd is calculated at 1/2 of the load.

1) DC power supply

$$Pd \text{ max} = \frac{V_{CC}^2}{\pi^2 R_L} + I_{CCO} \cdot V_{CC} (2\text{分} + 2\text{分}) \dots \dots (1) \text{ (For stereo use)}$$

2) AC power supply

- $V_{CC2}$  : Supply voltage at quiescent mode
- $V_{CC(Pd)}$  : Supply voltage at Pd max
- $V_{CC1}$  : Supply voltage at maximum output
- $r$  : Voltage regulation



$$I_{CCO} = \frac{V_{CC2} - V_{CC1}}{V_{CC1}}$$

$I_{CCO}$  : Quiescent current

Line regulation

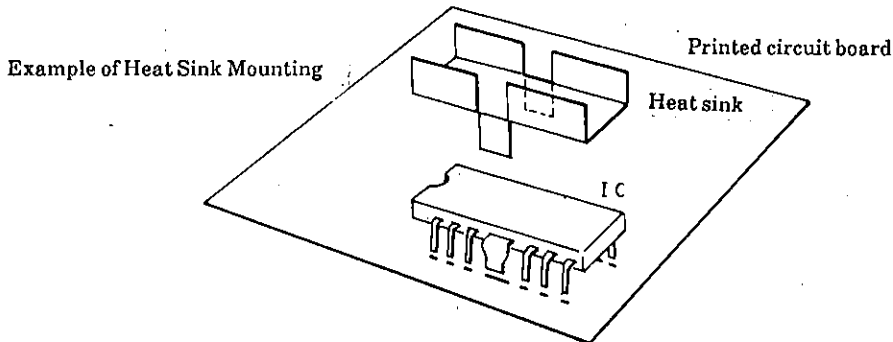
$$P_{d \max} = \frac{V_{CC(Pd)}^2}{\pi^2 R_L} + I_{CCO} \cdot V_{CC(Pd)} \text{ (For stereo use) } \dots (2)$$

where

$$V_{CC(Pd)} = \frac{(1+r)V_{CC1}}{1 + \frac{r \cdot V_{CC1}}{\sqrt{2} \cdot \pi \cdot R_L} \times \sqrt{\frac{R_L}{P_{O \max}}}}$$

**Example of Heat Sink Mounting Method**

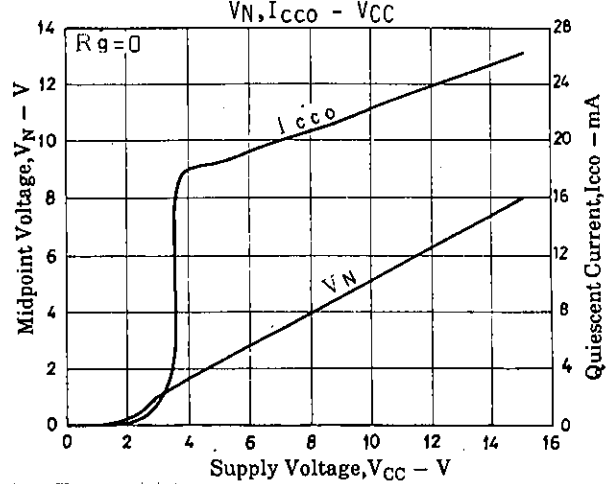
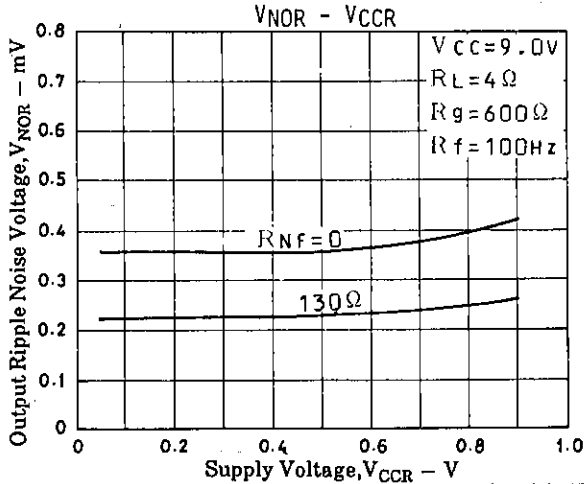
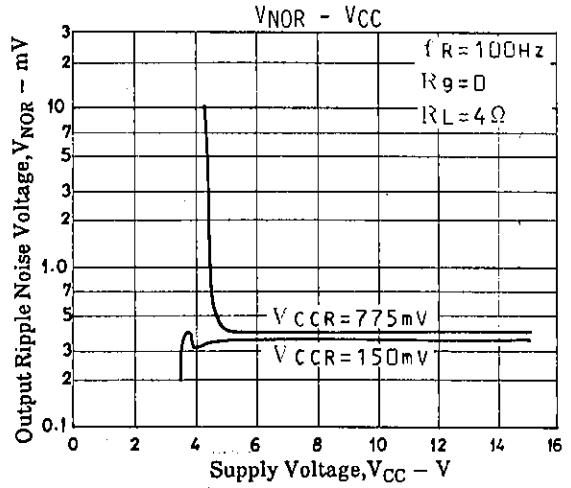
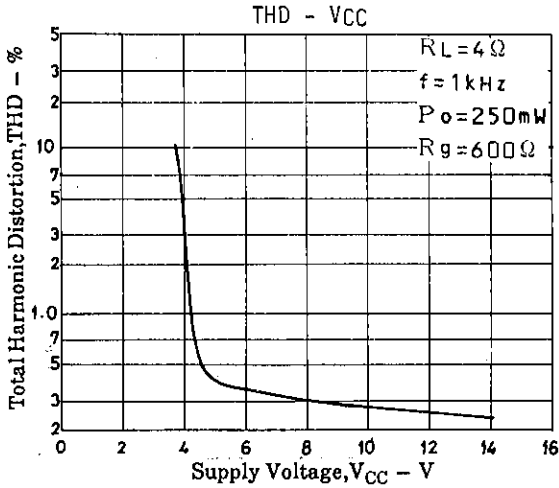
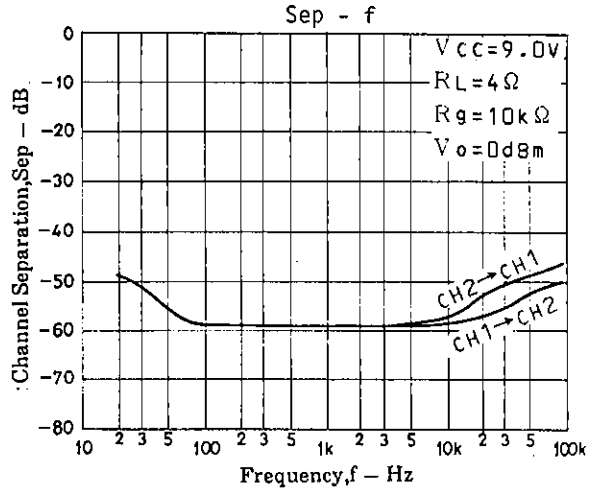
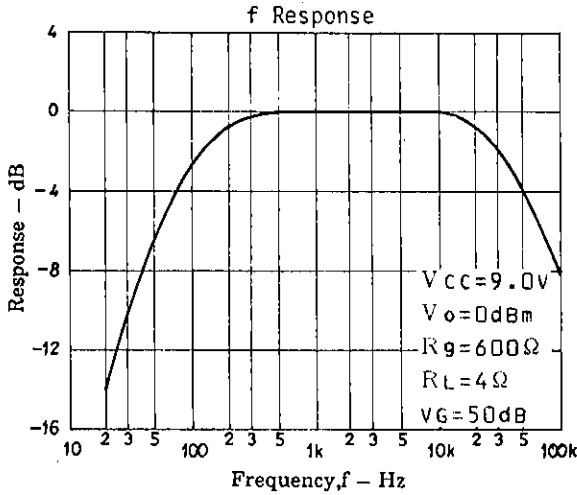
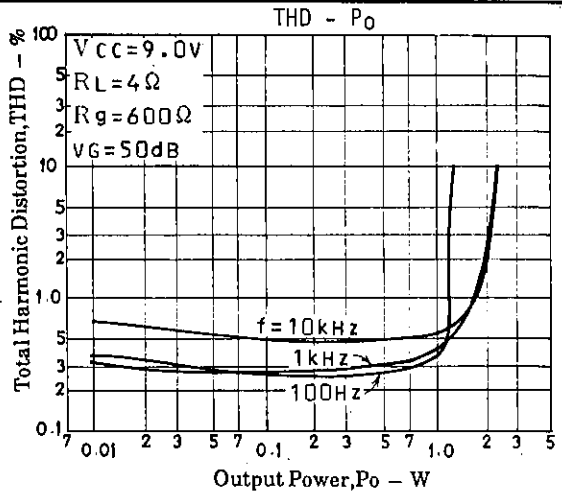
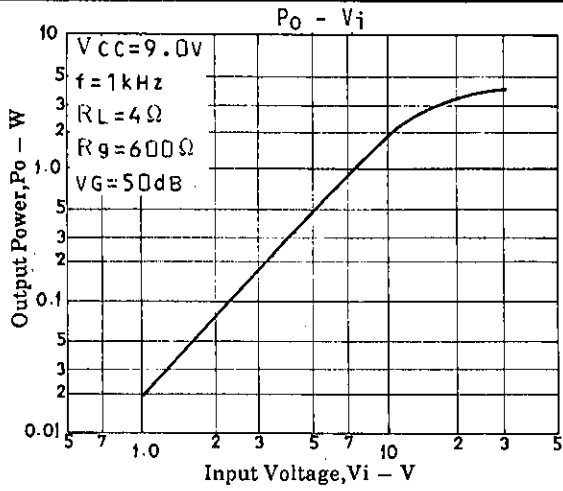
The heat sink must be of such a shape as to be able to dissipate heat from the IC plastic area and fin area and is soldered to the printed circuit board as shown below. For the size of the heat sink, refer to the Pd-Ta characteristic. The material of the heat sink is recommended to be copper or iron which is solderable. It is recommended to apply silicone grease to the IC plastic area to reduce thermal resistance between the heat sink and the IC plastic area.

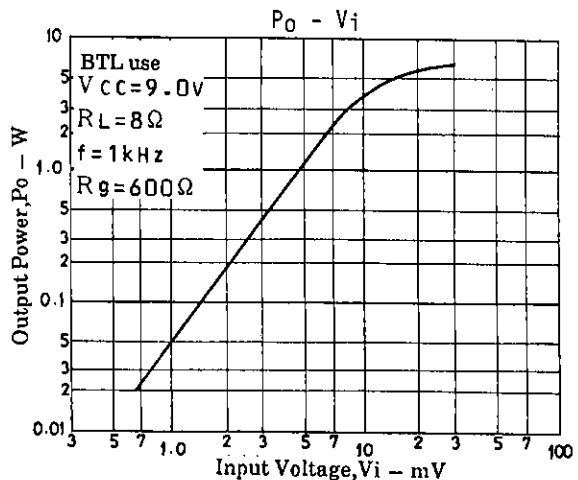
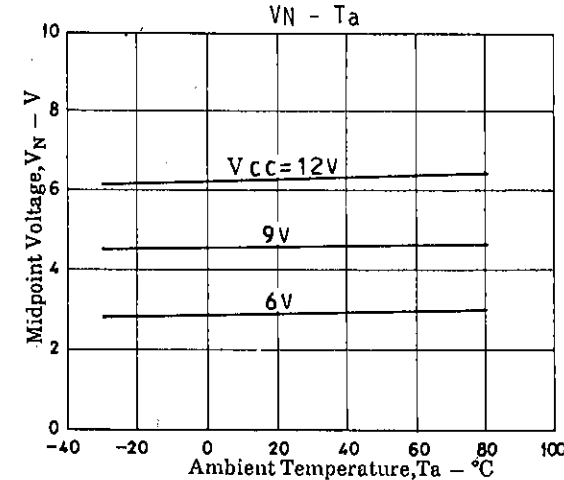
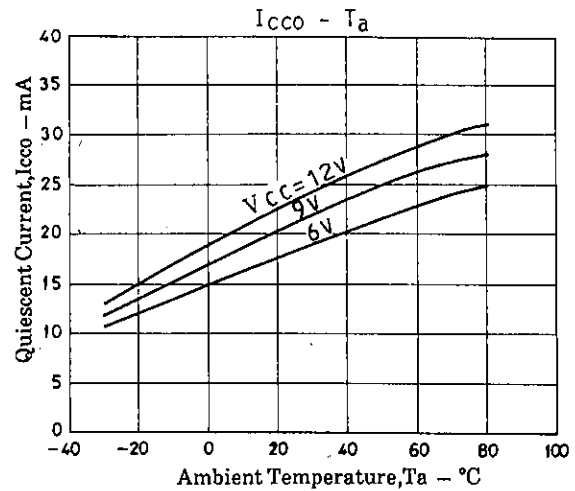
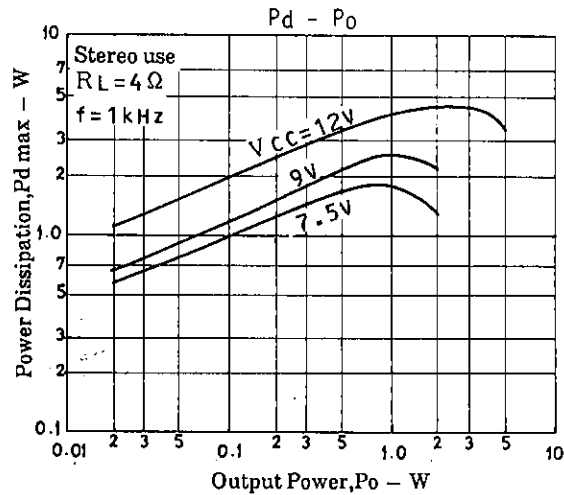
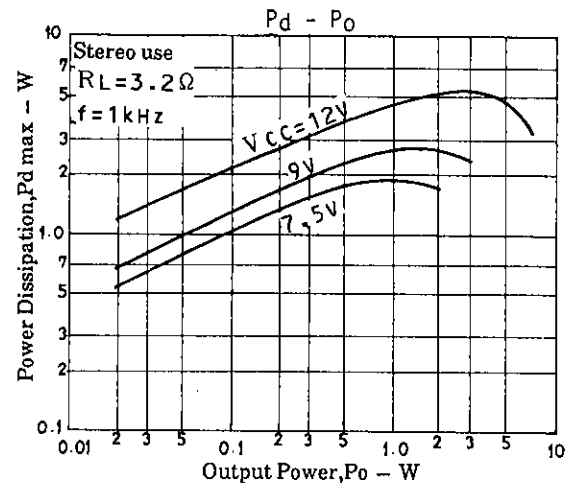
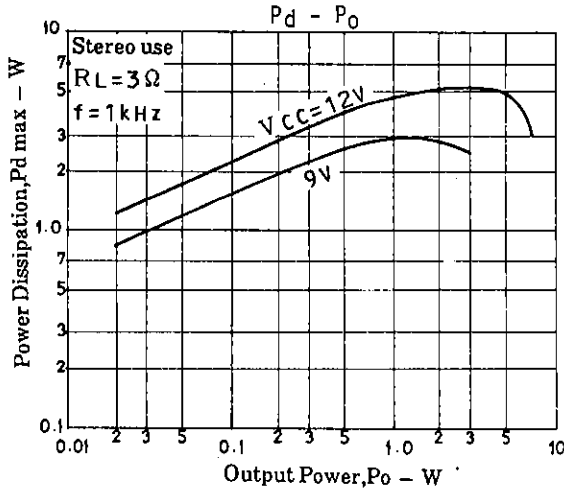
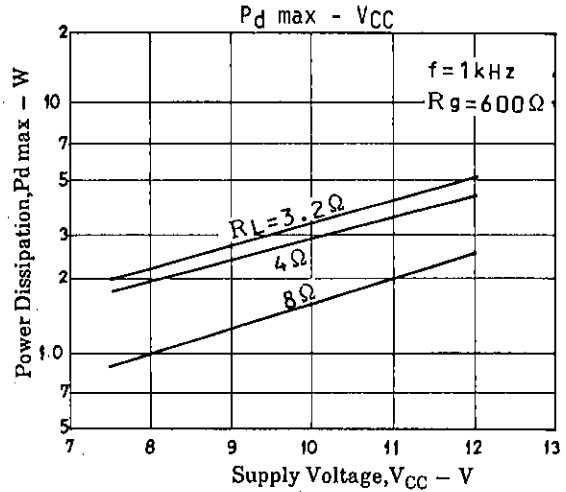
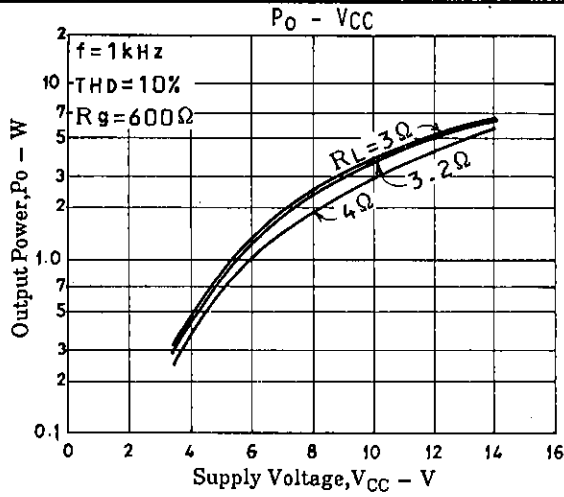


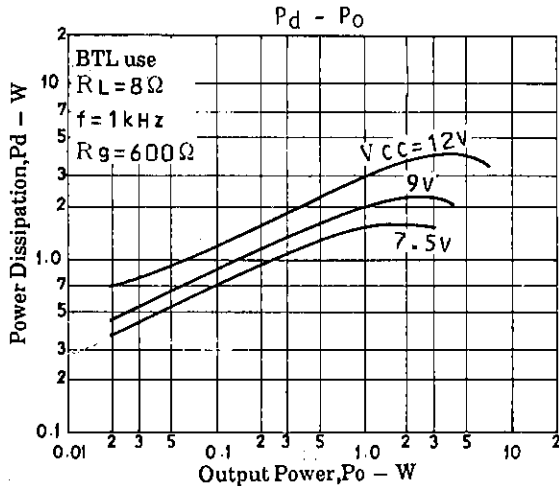
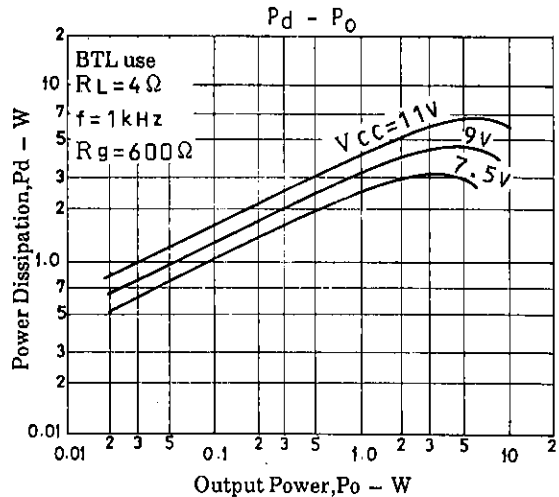
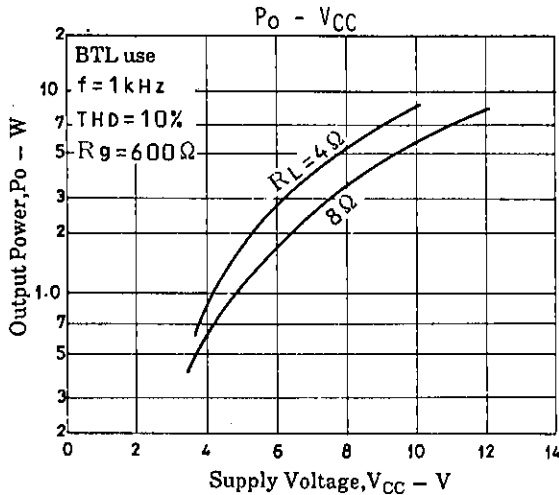
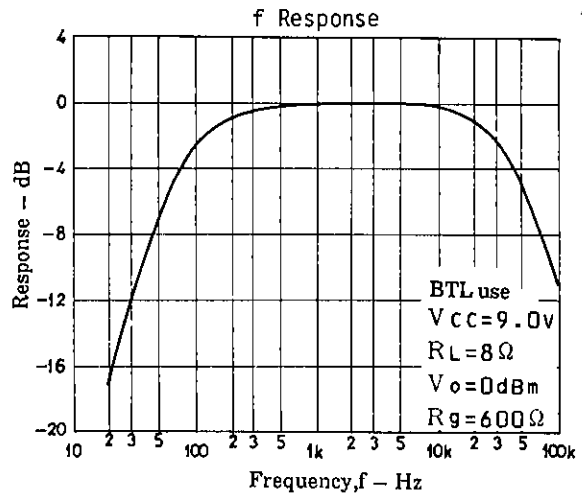
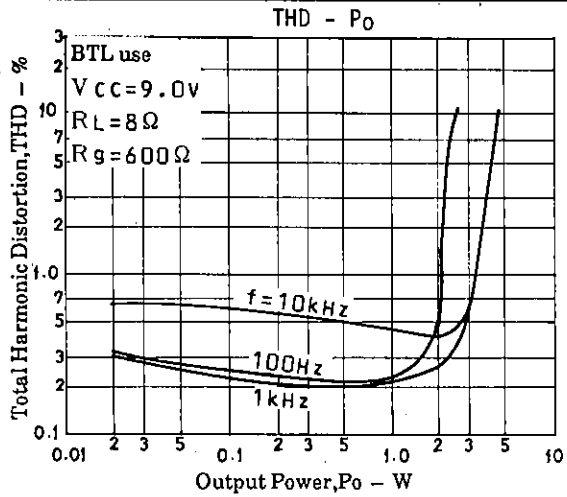
**Proper Cares Using IC**

1. If the IC is used in the vicinity of the maximum ratings, even a slight variation in conditions may cause the maximum ratings to be exceeded, thereby leading to breakdown. Allow an ample margin of variation for supply voltage, etc. and use the IC in the range where the maximum ratings are not exceeded.
2. Pin-to-pin short: If power is applied when the space between pins is shorted, breakdown or deterioration may occur. When mounting the IC on the board or applying power, make sure that the space between pins is not shorted with solder, etc.
3. Load short: If the IC is used with the load shorted for a long time, breakdown or deterioration may occur. Be sure not to short the load.
4. When the IC is used in radios or radio cassette tape recorders, keep a good distance between IC and bar antenna.
5. When making the board, refer to the sample printed circuit pattern.
6. It should be noted that some plug jacks to be used for connecting to the external speaker are such that both poles are shorted once when connecting.

LA4558







■ No products described or contained herein are intended for use in surgical implants, life-support systems, aerospace equipment, nuclear power control systems, vehicles, disaster/crime-prevention equipment and the like, the failure of which may directly or indirectly cause injury, death or property loss.

■ Anyone purchasing any products described or contained herein for an above-mentioned use shall:

- ① Accept full responsibility and indemnify and defend SANYO ELECTRIC CO., LTD., its affiliates, subsidiaries and distributors and all their officers and employees, jointly and severally, against any and all claims and litigation and all damages, cost and expenses associated with such use;
- ② Not impose any responsibility for any fault or negligence which may be cited in any such claim or litigation on SANYO ELECTRIC CO., LTD., its affiliates, subsidiaries and distributors or any of their officers and employees jointly or severally.

■ Information (including circuit diagrams and circuit parameters) herein is for example only; it is not guaranteed for volume production. SANYO believes information herein is accurate and reliable, but no guarantees are made or implied regarding its use or any infringements of intellectual property rights or other rights of third parties.