



No. C862H



LB3500

Monolithic Digital Integrated Circuit
1/8 PRESCALER FOR PLL ELECTRONIC TUNING

The LB3500 is an ECL prescaler with 1/8 frequency division ratio developed for use in PLL electronic tuning FM radio application. Adoption of high performance bipolar process enables the frequency division of 150MHz max.

Features

- . FM frequency can be divided into C-MOS operating frequency.
- . Control pin is provided to inhibit the operation of prescaler when it is not in use.
- . If used in conjunction with our PLL synthesizer LC7220, electronic tuning system can be formed.

Absolute Maximum Ratings at $T_a=25^\circ\text{C}$

Maximum Supply Voltage	V_{CCmax}	8	V
Allowable Power Dissipation	P_{dmax}	200	mW
Operating Temperature	T_{opg}	-20 to +80	$^\circ\text{C}$
Storage Temperature	T_{stg}	-40 to +125	$^\circ\text{C}$

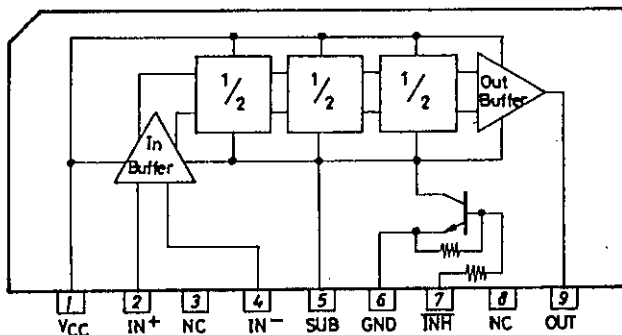
Allowable Operating Condition at $T_a=25^\circ\text{C}$

Supply Voltage Range	V_{CC}	min	typ	max	unit
		4.5		5.5	V

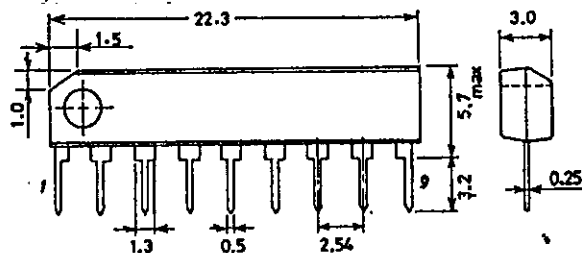
Electrical Characteristics at $T_a=25^\circ\text{C}$

Current Dissipation	I_{CC}		min	typ	max	unit
				16	24	mA
Maximum Operating Frequency	f_{max}	$v_{in}=150\text{mV}_{rms}$	150			MHz
Minimum Operating Frequency	f_{min}	$v_{in}=150\text{mV}_{rms}$			30	MHz
Input Voltage Range	V_{IN}		100		600	mV_{rms}
Output Amplitude	V_{OUT}		0.9			V_{p-p}
\overline{INH} Pin High Level Voltage	$V_{\overline{INH}}(H)$		3		5.5	V

Equivalent Circuit Block Diagram and Pin Assignment



Case Outline 3017B-S91C
(unit:mm)

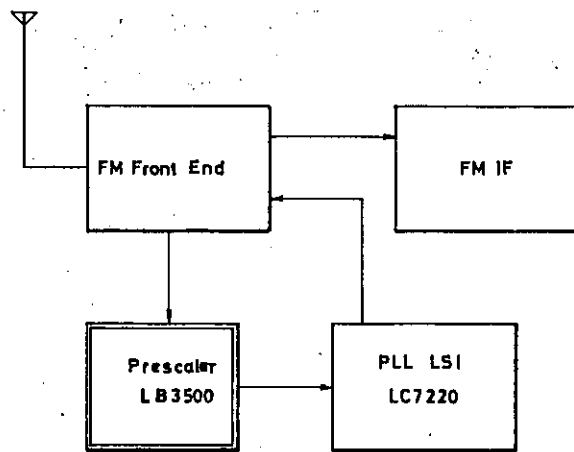


SANYO: SEP9

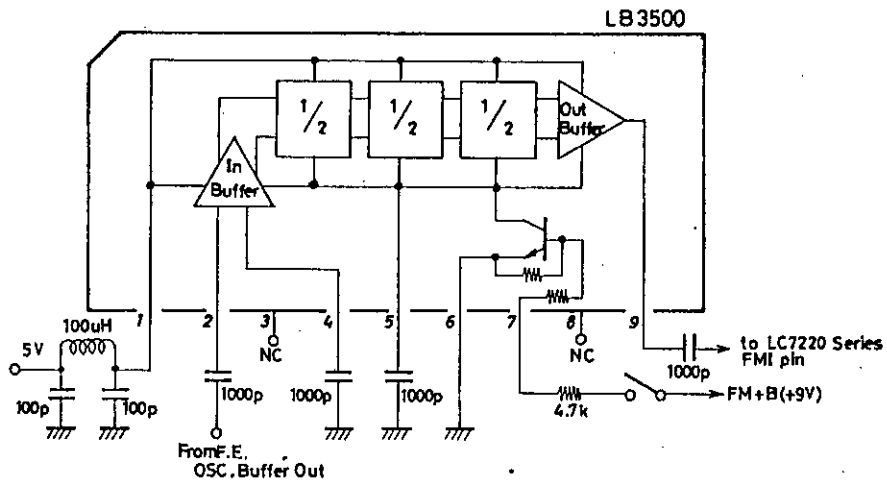
These specifications are subject to change without notice.

TOKYO SANYO ELECTRIC CO., LTD. SEMICONDUCTOR DIVISION
 15-13, 6-CHOME, SOTOKANDA, CHIYODA-KU, TOKYO 101 JAPAN

SANYO PLL Synthesizer Tuner System



Application Circuit



Information furnished by SANYO is believed to be accurate and reliable. However, no responsibility is assumed by SANYO for its use; nor for any infringements of patents or other rights of third parties which may result from its use, and no license is granted by implication or otherwise under any patent or patent rights of SANYO.