

- OUTPUT SWITCH CURRENT IN EXCESS OF 1.5A
- 2% REFERENCE ACCURACY
- LOW QUIESCENT CURRENT:2.5mA(TYP.)
- OPERATING FROM 3V TO 40V
- FREQUENCY OPERATION TO 100KHz
- ACTIVE CURRENT LIMITING

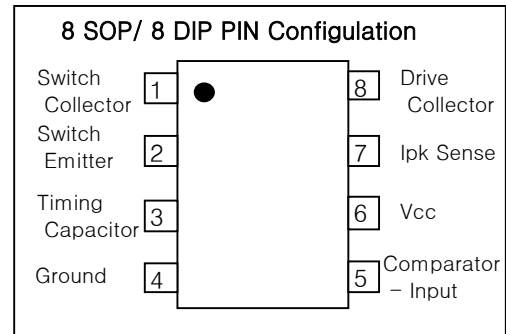
**DESCRIPTION**

The MC34063A series is a monolithic control circuit delivering the main functions for DC-DC voltage converting.

The device contains an internal temperature compensated reference, comparator, duty cycle controlled oscillator with an active current limit circuit driver and high current output switch.

Output voltage is adjustable through two external resistors with a 2% reference accuracy.

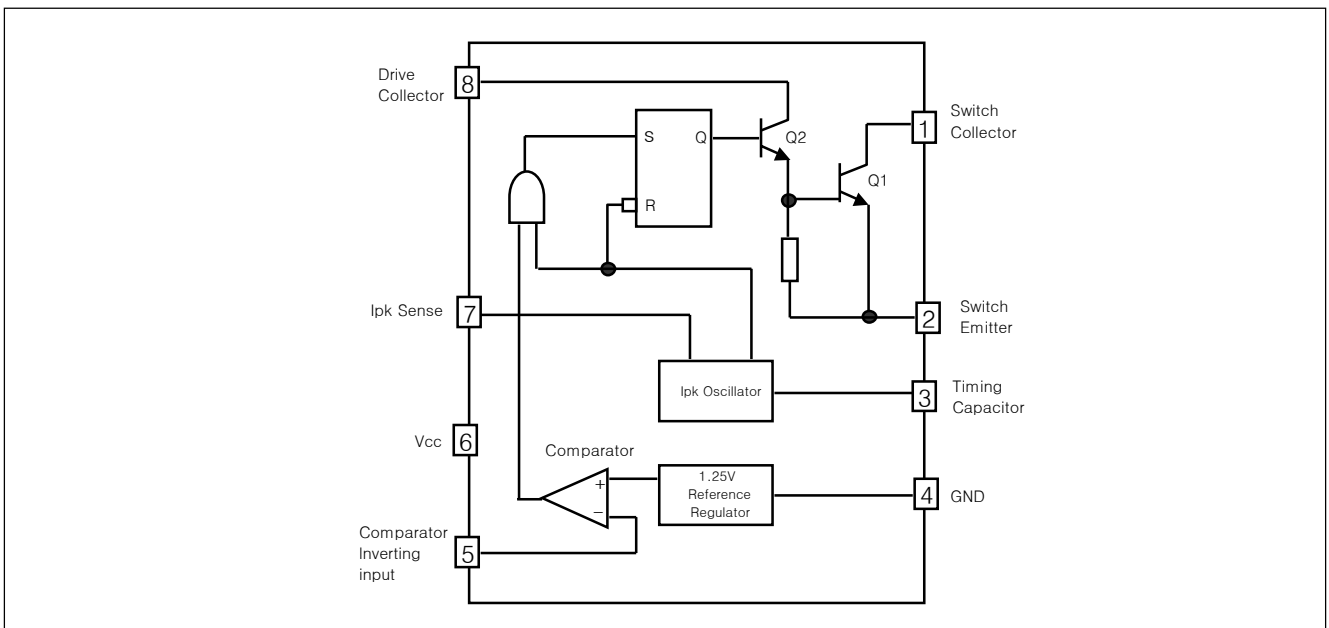
Employing a minimum number of external components the MC34063A devices series is designed for Step-Down, Step-Up and Voltage-Inverting applications.



**ORDERING INFORMATION**

Device	Package
MC34063AD	8 SOP
MC34063AN	8 DIP

**BLOCK DIAGRAM**



ABSOLUTE MAXIMUM RATINGS

SYMBOL	PARAMETER	VALUE	UNIT
$V_{CC}$	Power Supply Voltage	50	V
$V_{ir}$	Comparator input Voltage Range	-0.3 to 40	V
$V_{SWC}$	Switch Collector Voltage	40	V
$V_{SWE}$	Switch Emitter Voltage (VSWC=40V)	40	V
$V_{CE}$	Switch Collector to Emitter Voltage	40	V
$V_{dc}$	Driver Collector Voltage	40	V
$I_{dc}$	Driver Collector Current	100	mA
$I_{sw}$	Switch Current	1.5	A
$P_{tot}$	Power Dissipation at $T_{amb}=25^{\circ}C$ (for Plastic Package ) (for SOIC Package )	1.25 0.625	W
$T_{op}$	Operating Ambient Temperature Range	0 to 70	$^{\circ}C$ $^{\circ}C$ $^{\circ}C$
$T_{stg}$	Storage Temperature Range	-40 to 150	$^{\circ}C$

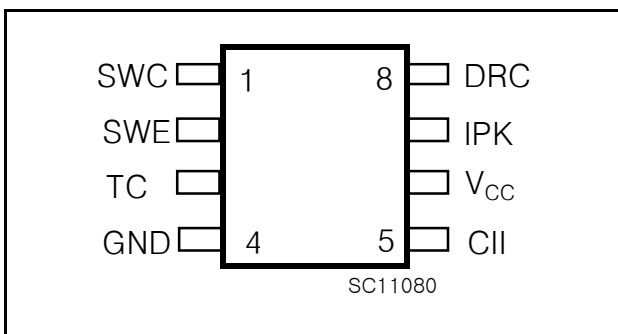
Absolute Maximum Rating are those values beyond which damage to the device may occur. Functional operation under these condition is not implied.

THERMAL DATA

SYMBOL	PARAMETER	DIP-8	SO-8	UNIT
$R_{thi-amb}$	Thermal Resistance Junction-ambient (*)	100	160	$^{\circ}C/w$

(\*) This Value depends from thermal design of PCB on which the device is mounted.

CONNECTION DIAGRAM (top view)



PIN CONNECTIONS

PIN NO	SYMBOL	NAME AND FUNCTION
1	SWC	Switch Collector
2	SWE	Switch Emitter
3	TC	Timing Capactor
4	GND	Ground
5	CII	Comparator Inverting Input
6	Vcc	Voltage Supply
7	$I_{PK}$	$I_{PK}$ Sense
8	DRC	Voltage Driver Collector

**ELECTRICAL CHARACTERISTICS** ( Refer to the test circuits,  $V_{CC}=5V$ ,  $T_a=T_{LOW}$  to  $T_{HIGH}$ , unless otherwise specified, see note 2)

## OSCILLATOR

SYMBOL	PARAMETER	TEST CONDITIONS	MIN.	TYP.	MAX.	UNIT
$F_{OSC}$	Frequency	$V_{pin5} = 0V, C_T = 1nF, T_a = 25^\circ C$	24	33	42	KHz
$I_{chg}$	Charge Current	$V_{CC} = 5$ to $40V, T_a = 25^\circ C$	24	33	42	$\mu A$
$I_{dischg}$	Discharge Current	$V_{CC} = 5$ to $40V, T_a = 25^\circ C$	140	200	260	$\mu A$
$I_{dischg}/I_{chg}$	Discharge to Charge Current Ratio	Pin 7 = $V_{CC}, T_a = 25^\circ C$	5.2	6.2	7.5	
$V_{ipk(sense)}$	Current Limit Sense Voltage	$I_{chg} = I_{dischg}, T_a = 25^\circ C$	250	300	350	mV

## OUTPUT SWITCH

SYMBOL	PARAMETER	TEST CONDITIONS	MIN.	TYP.	MAX.	UNIT
$V_{CE(sat)}$	Saturation Voltage, Darlington connection	$I_{SW} = 1A, Pins 1,8$ connected		1	1.3	V
$V_{CE(sat)}$	Saturation Voltage	$I_{SW} = 1A, R_{pin8} = 82\Omega$ to $V_{CC}$ , Forced $\beta \sim 20$		0.45	0.7	V
$h_{FE}$	DC Current Gain	$I_{SW} = 1A, V_{CE} = 5V, T_a = 25^\circ C$	50	120		
$I_{C(off)}$	Collector Off-State Current	$V_{CE} = 40V$		0.01	100	$\mu A$

## COMPARATOR

SYMBOL	PARAMETER	TEST CONDITIONS	MIN.	TYP.	MAX.	UNIT
$V_{th}$	Threshold Voltage	$T_a = 25^\circ C$ $T_a = T_{LOW}$ to $T_{HIGH}$	1.225 1.21	1.25	1.275 1.29	V V
$Reg_{line}$	Threshold Voltage Line Regulation	$V_{CC} = 3$ to $40V$		1	5	mV
$I_{IB}$	Input Bias Current	$V_{IN} = 0V$		-5	-400	nA

## TOTAL DEVICE

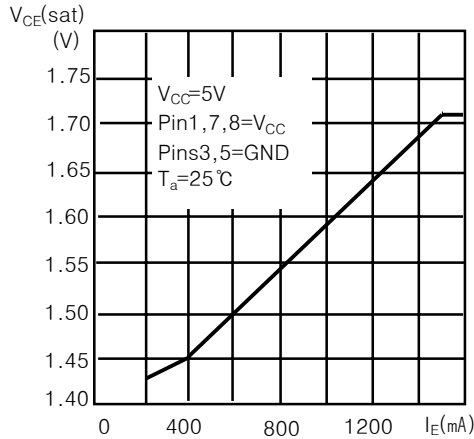
SYMBOL	PARAMETER	TEST CONDITIONS	MIN.	TYP.	MAX.	UNIT
$I_{CC}$	Supply Current	$V_{CC} = 5$ to $40V, C_T = 1nF$ Pin7 = $V_{CC}, V_{pin5} > V_{th}$ , Pin2 = GND Remaining pins open for MC34063A		2.5	4	mA
$V_{START-UP}$	Start-up Voltage(note 4)	$T_a = 25^\circ C, C_T = 1\mu F, Pin5 = 0V$ for MC34063A		2.1		V

## Notes:

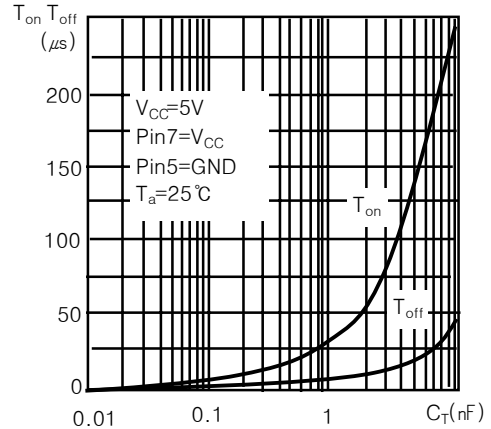
- Maximum package power dissipation limit must be observed.
- $T_{LOW} = 0^\circ C, T_{HIGH} = 70^\circ C$
- If Darlington configuration is not used, care must be taken to avoid deep saturation of output switch.  
The resulting switch-off time may be adversely affected.  
In a Darlington configuration the following output driver condition is suggested:  
Forced  $\beta$  of output current switch =  $I_{COUTPUT}/(I_{CDRIVER} - 1mA^*) \geq 10$   
\* Current less due to a built in  $1K\Omega$  antileakage resistor.
- Start-up Voltage is the minimum Power Supply Voltage at which the internal oscillator begins to work.

TYPICAL ELECTRICAL CHARACTERISTICS

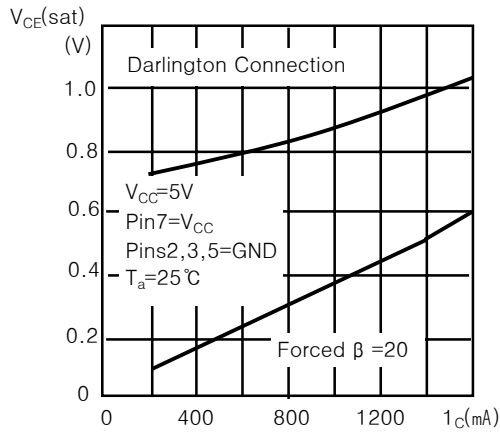
Emitter Follower Configuration Output Saturation Voltage vs Emitter Current



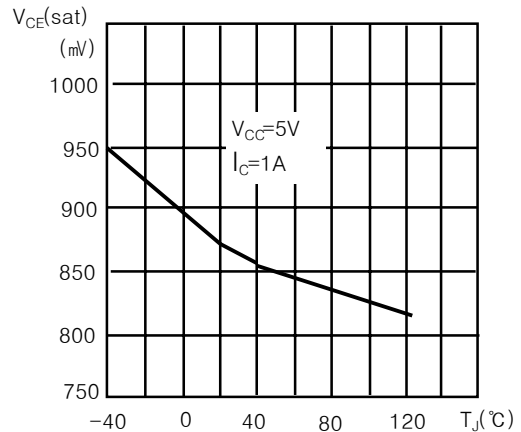
Output Switch ON-OFF Time vs Oscillator Timing Capacitor



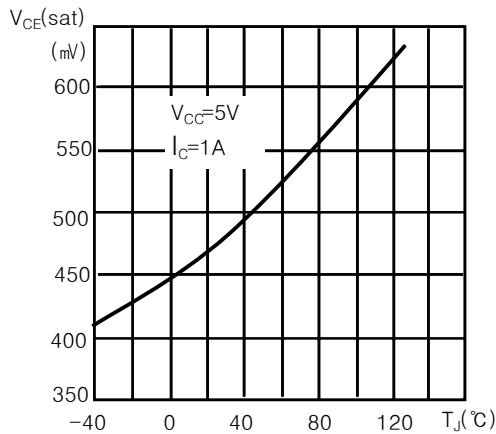
Common Emitter Configuration Output Switch Saturation Voltage vs Collector Current



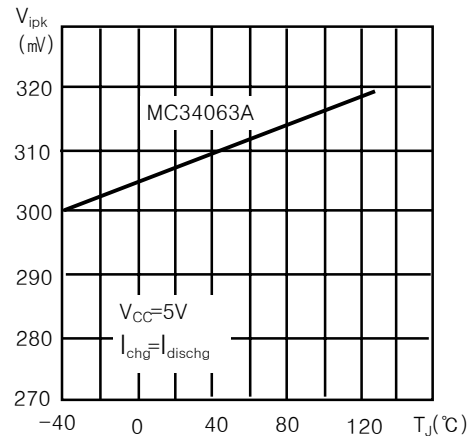
Darlington Configuration Collector Emitter Saturation Voltage (VCE(sat)) vs Temperature



Power Collector Emitter Saturation Voltage (VCE(sat)) vs Temperature

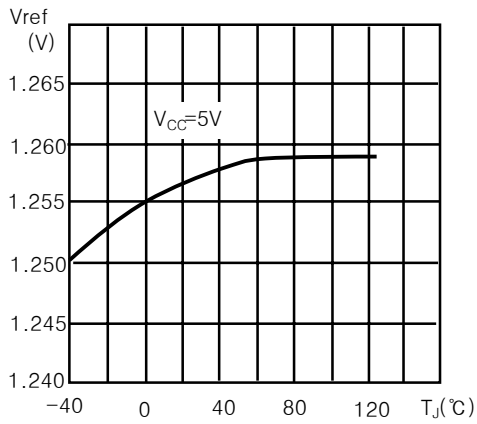


Current Limit Sense Voltage (Vipk) vs Temperature

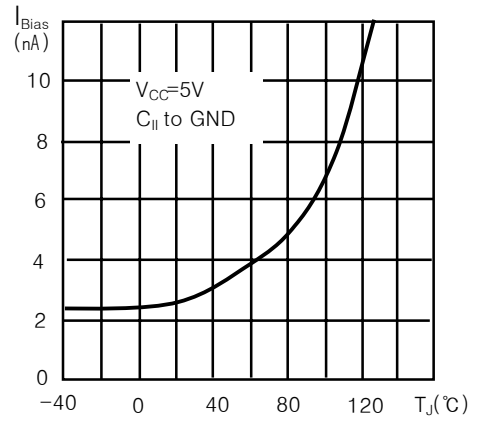


TYPICAL ELECTRICAL CHARACTERISTICS (Continued)

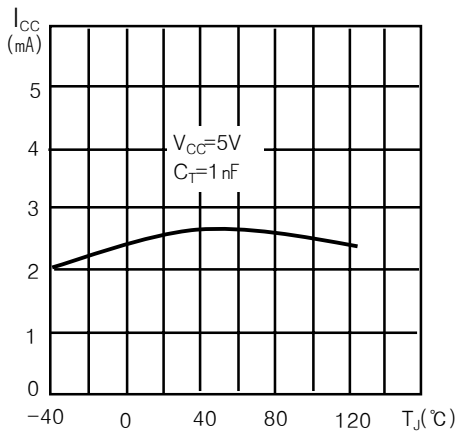
Reference Voltage vs Temperature



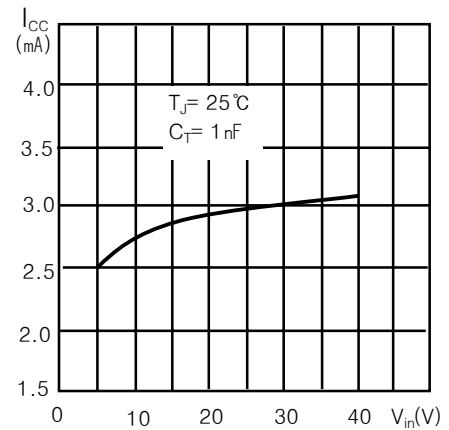
Bias Current vs Temperature



Supply Current vs Temperature

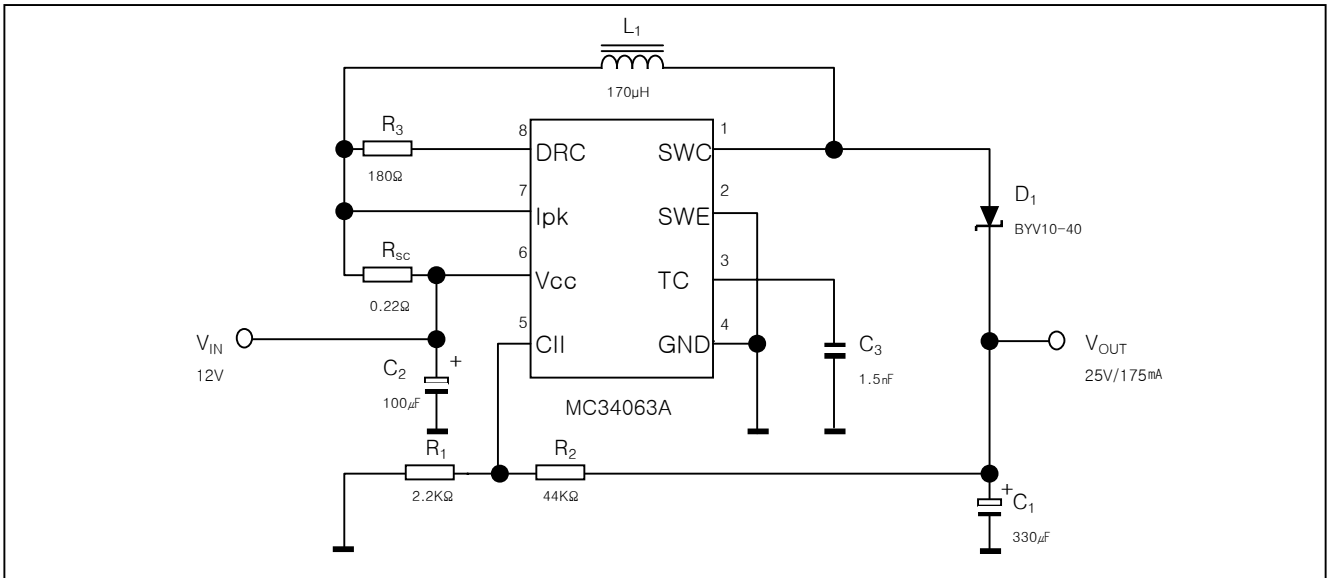


Supply Current vs Input Voltage

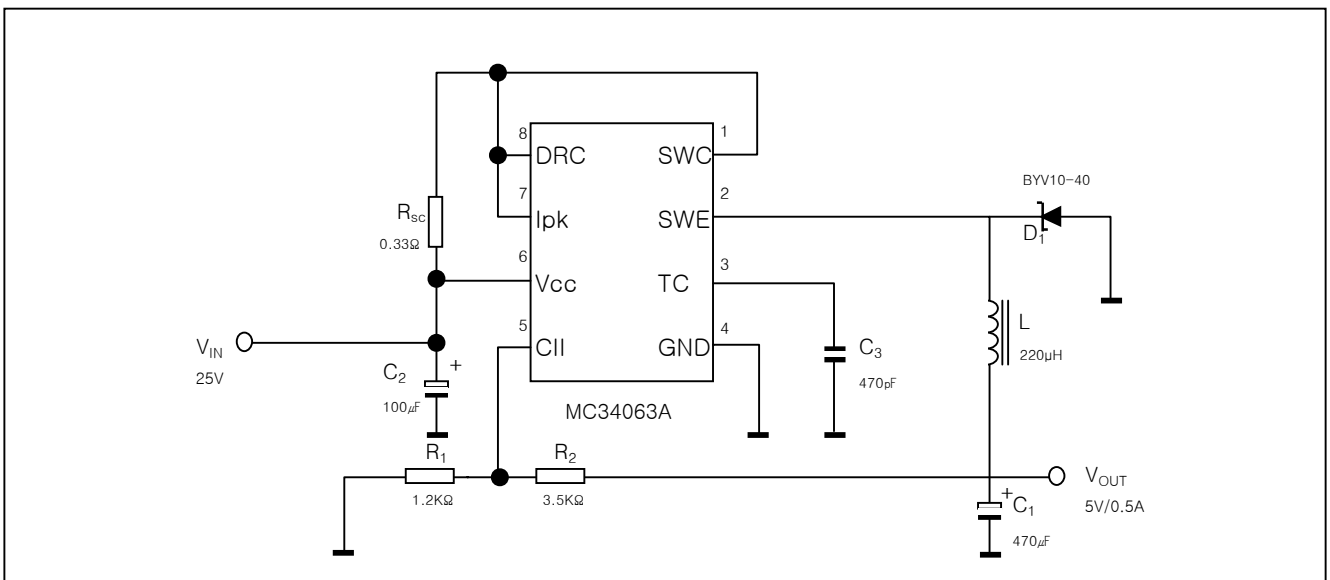


TYPICAL APPLICATION CIRCUIT

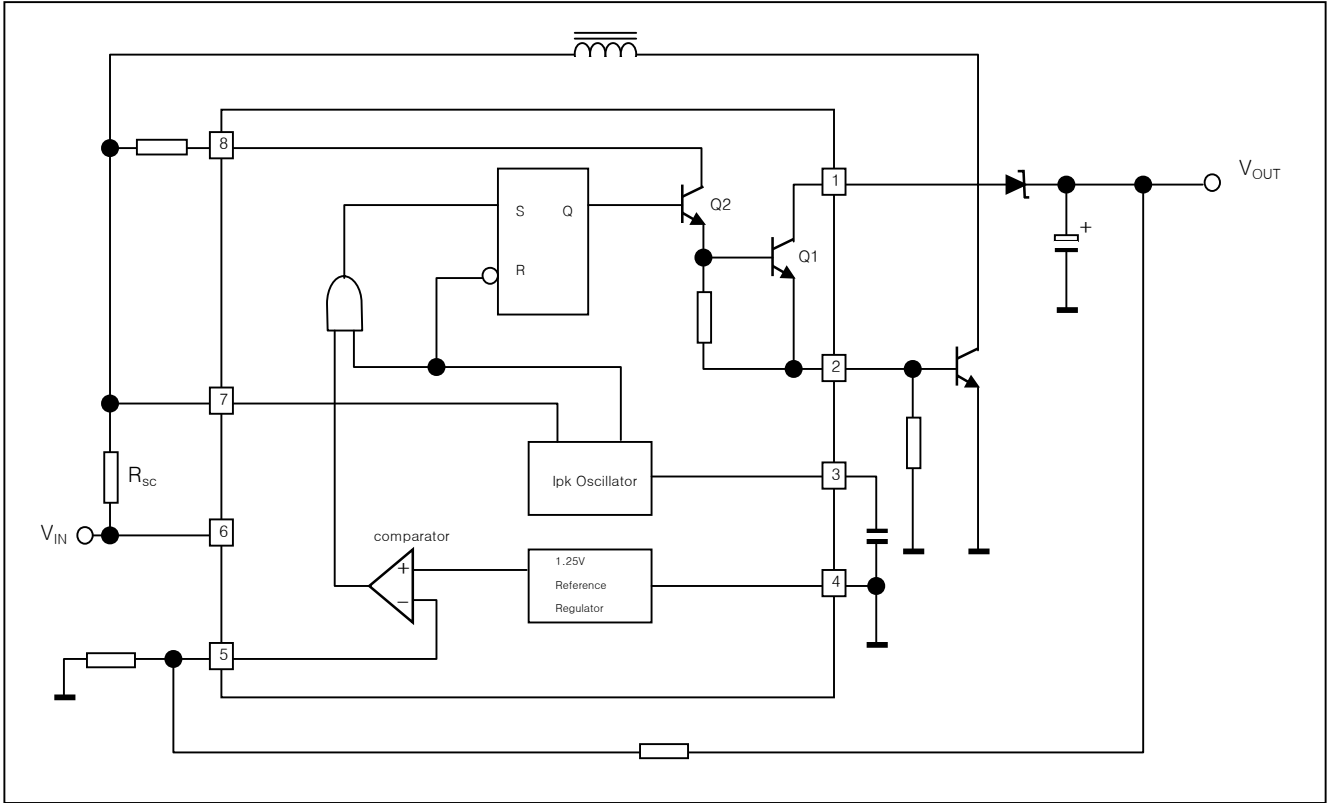
Step-Up Converter



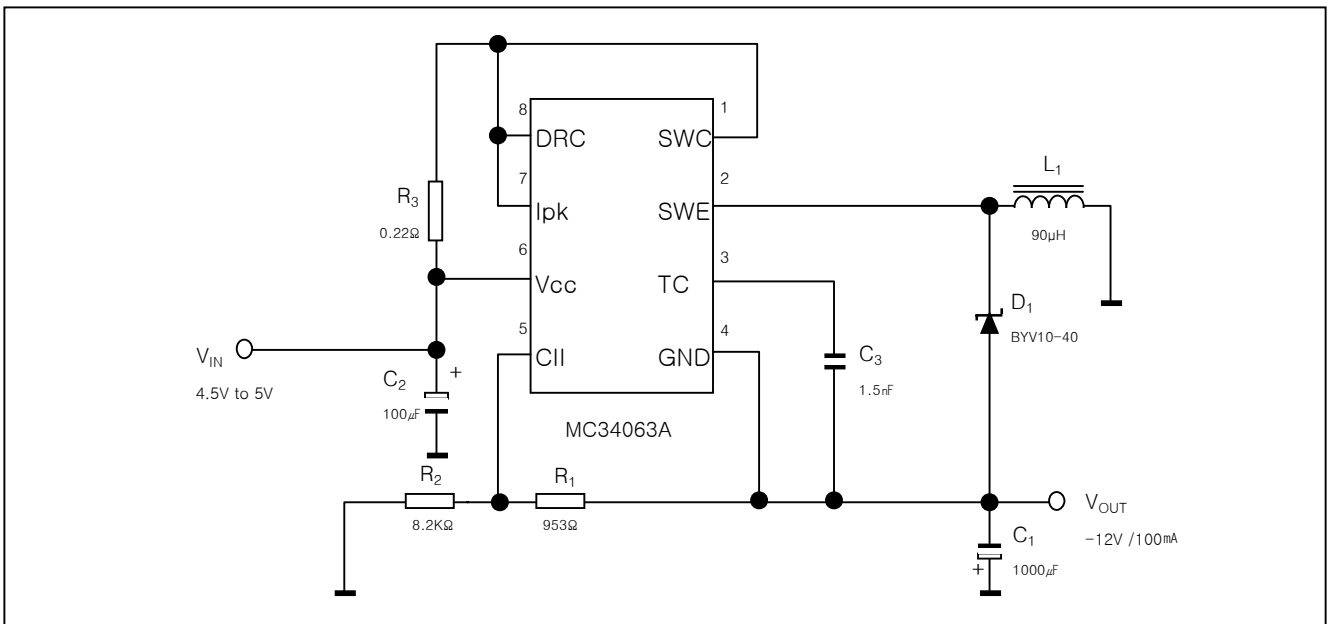
Step-Down Converter



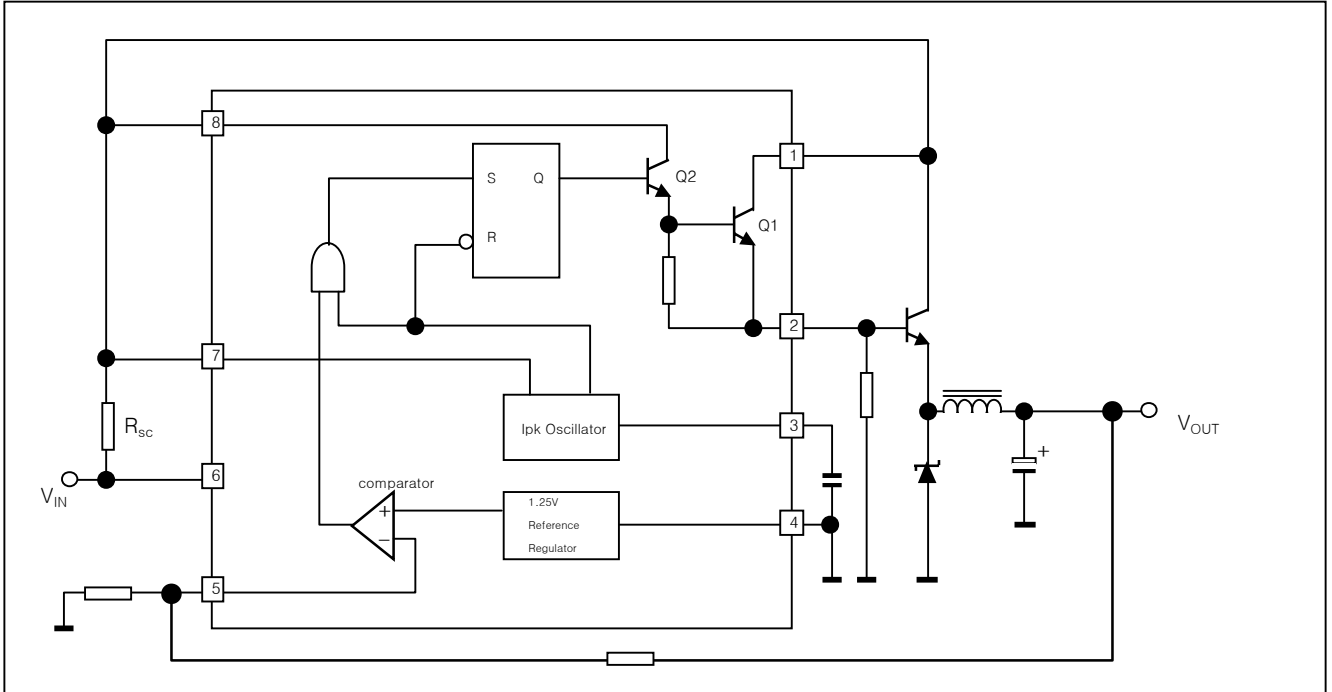
Step-Up With External NPN Switch



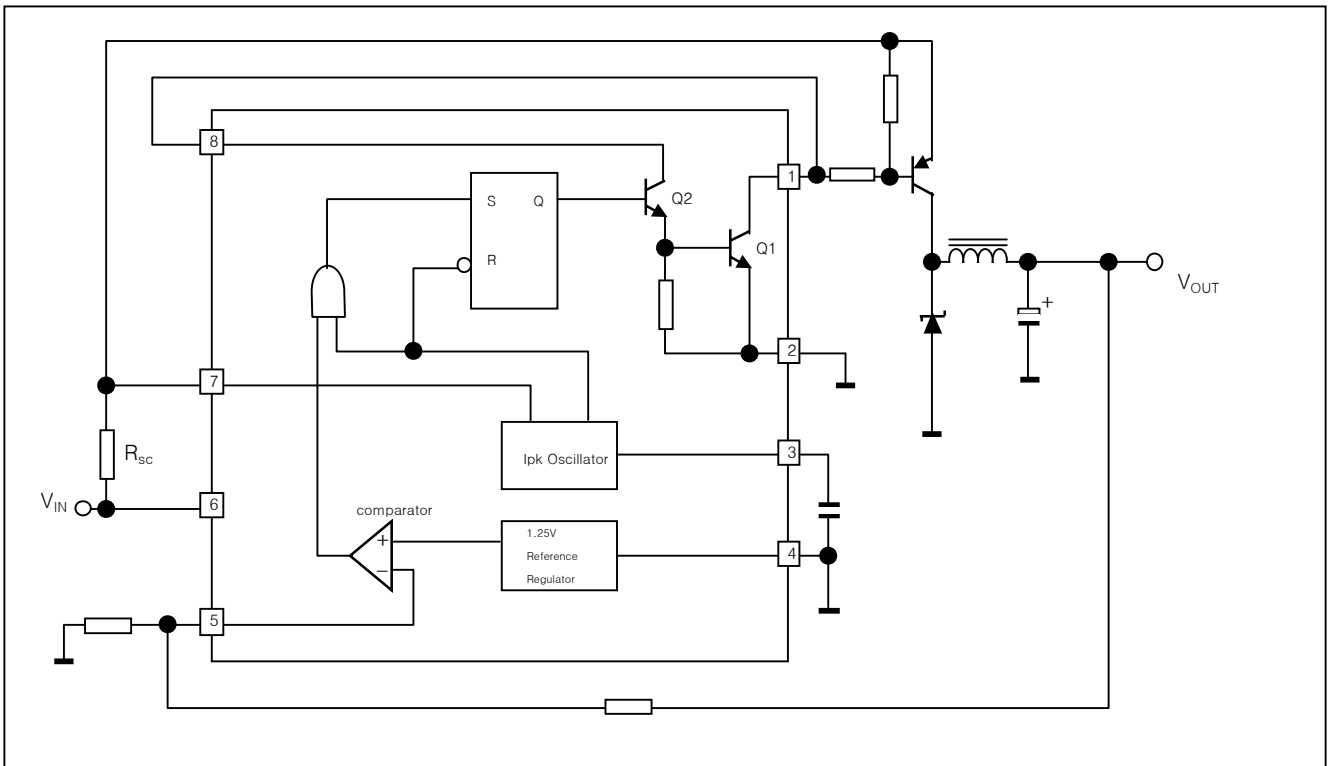
Voltage Inverting Converter



Step-Down With External NPN Switch

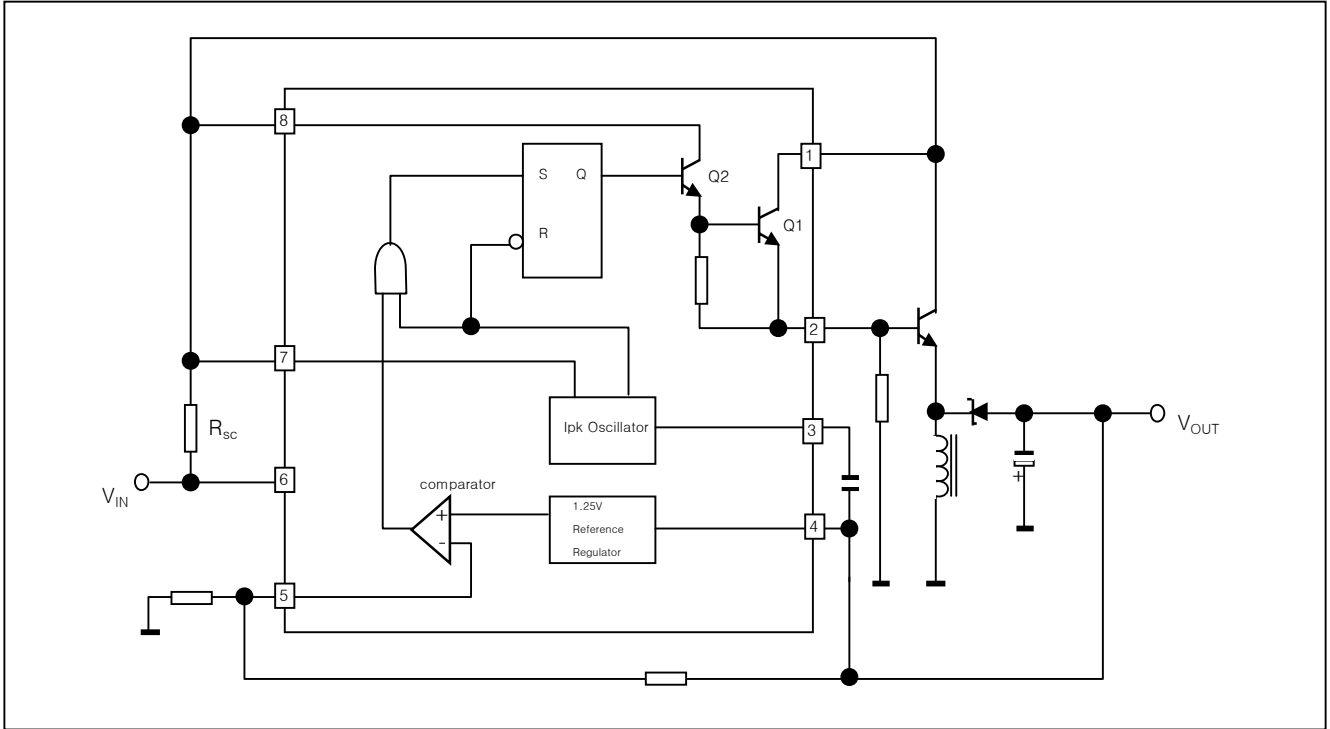


Step-Down With External PNP Switch

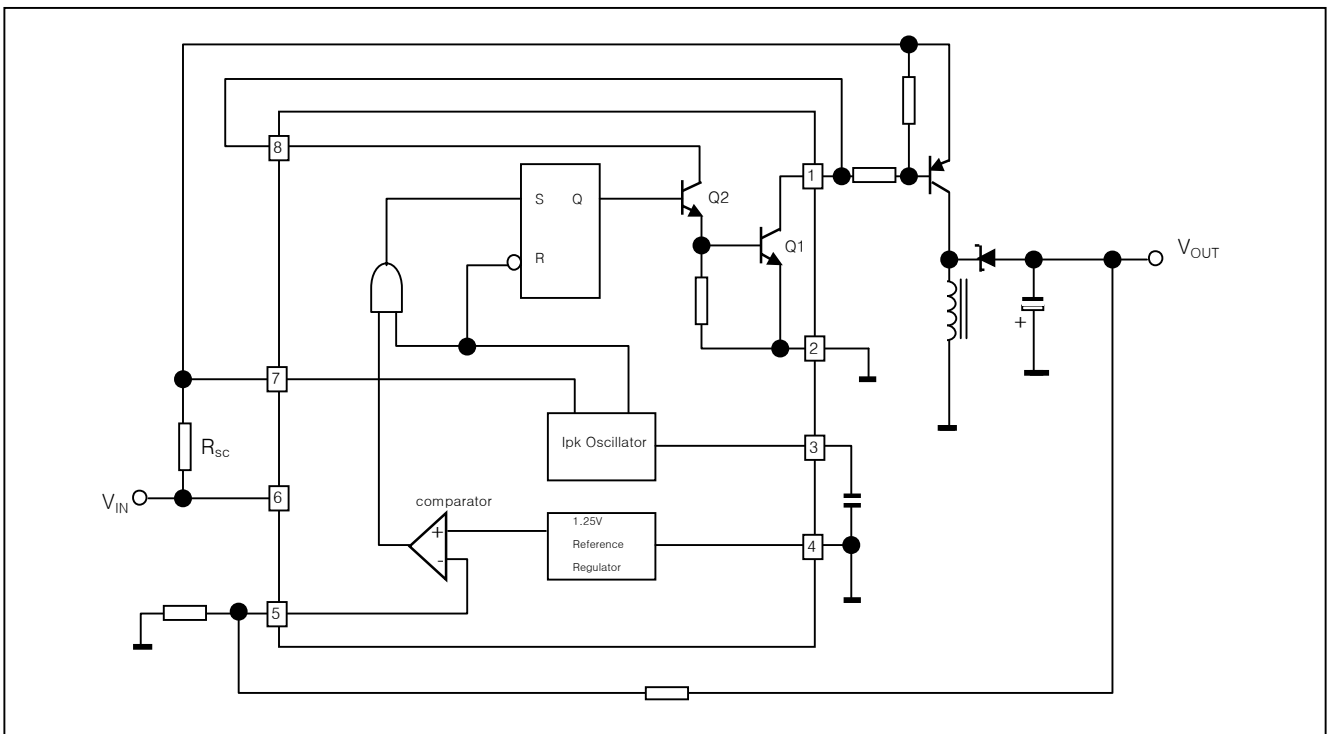




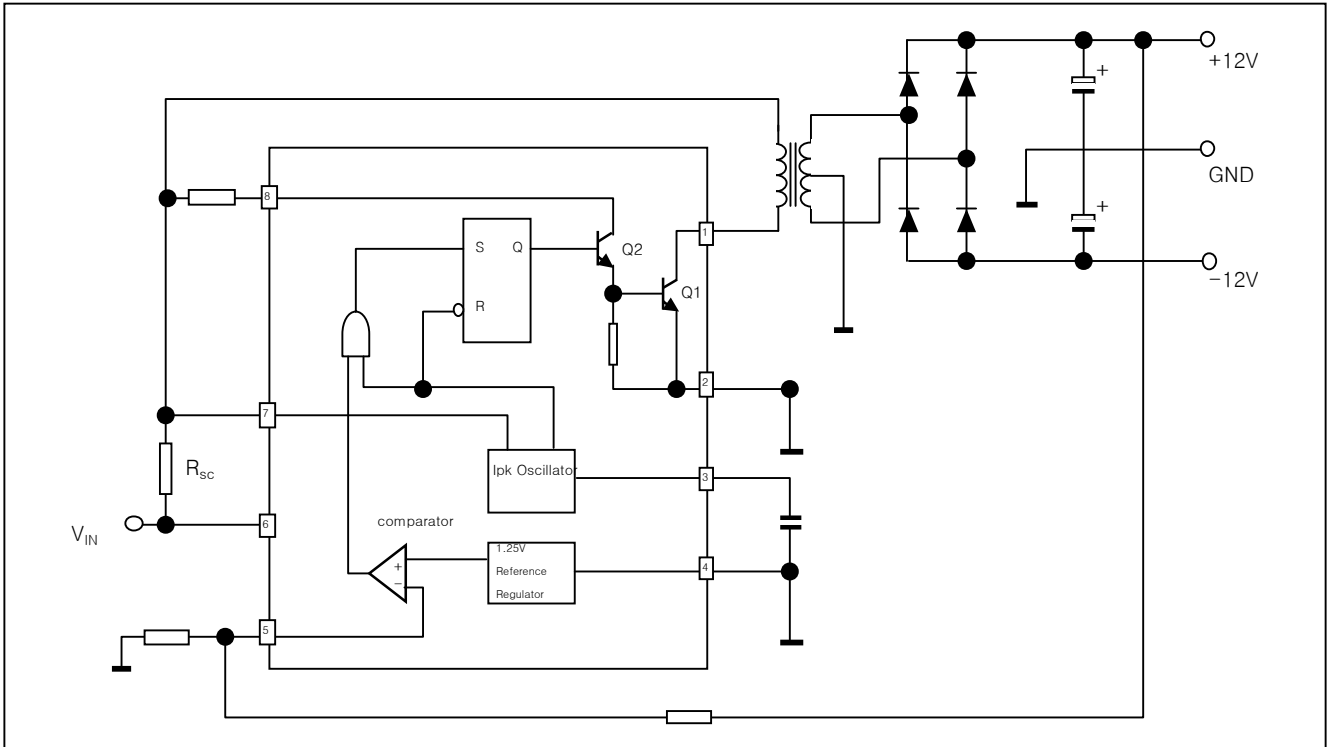
Voltage Inverting With External NPN Switch



Voltage Inverting With External PNP Saturated Switch



Dual Output Voltage



Higher Output Power, Higher Input Voltage

