



MP3011

1x, 1.5x, 2x High Efficiency Charge Pump 2 White LED Driver

The Future of Analog IC Technology™

DESCRIPTION

The MP3011 is a fully automatic driver for powering two white LEDs, with up to 4V forward voltage, from a single Li-Ion or three NiMH cells. The driver performs all of the sensing and control to run the LEDs at an optimum charge pump ratio for efficiency without an expensive inductor. The driver allows PWM operation to support brightness control.

The tiny 3mm x 3mm QFN16 package and small external capacitors allow for the most compact white LED solution available.

EVALUATION BOARD REFERENCE

| Board Number | Dimensions |
|--------------|--------------------|
| EV3011DQ-00A | 2.4" x 1.9" x 0.4" |

FEATURES

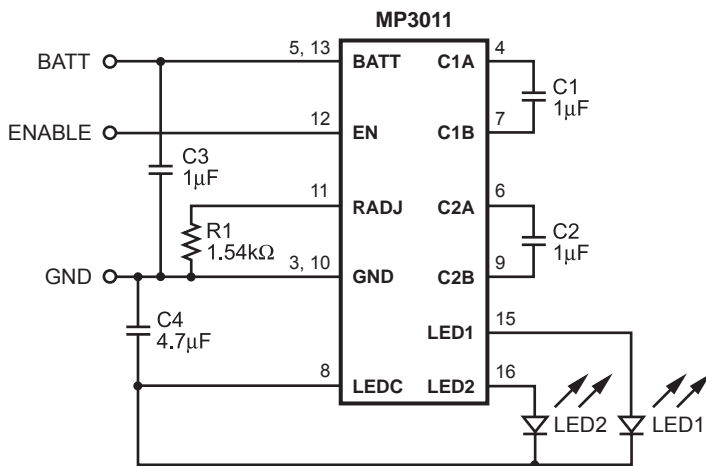
- 2% LED Current Matching
- High Efficiency (>93%)
- Current Source Outputs
- No Ballast Resistors Required
- 1x, 1.5x and 2x Automatic Modes
- Constant Frequency Operation
- Automatic LED Detection
- High and Low Frequency PWM Capability
- 2.5V to 5.5V Operation
- Less than 1µA Leakage during Shutdown
- Detects Changes in Battery Level
- No External Schottky Diode Required
- Soft-Start and Soft Switching Operation

APPLICATIONS

- Cell Phones
- PDA or Hand Held Computers
- White LED Application at 3.6V Supply

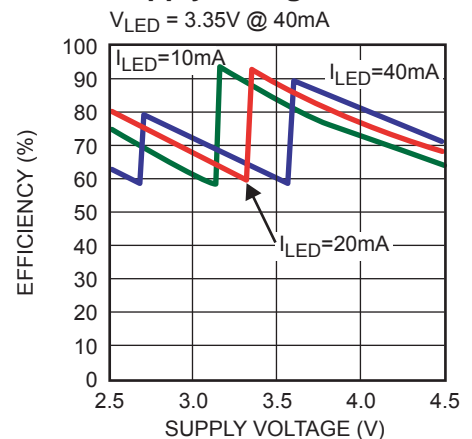
"MPS" and "The Future of Analog IC Technology" are Trademarks of Monolithic Power Systems, Inc.

TYPICAL APPLICATION



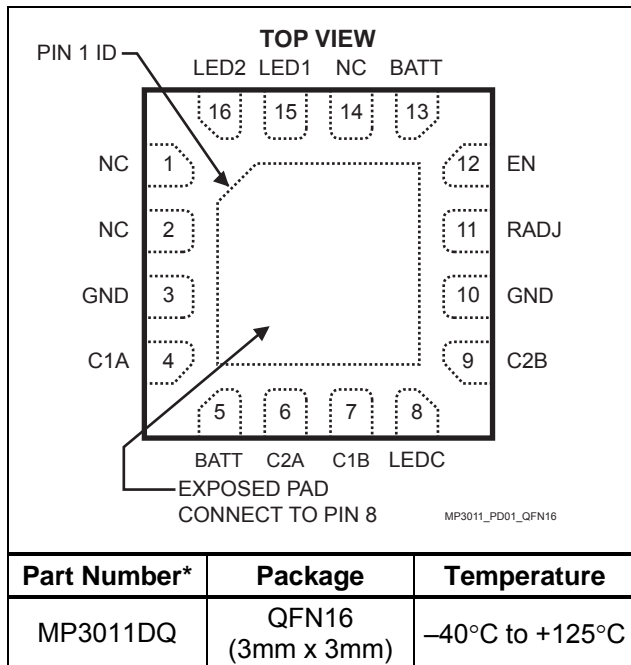
MP3011_TAC01

Efficiency vs Supply Voltage



MP3011_EC01

PACKAGE REFERENCE



* For Tape & Reel, add suffix -Z (eg. MP3011DQ-Z)
 For Lead Free, add suffix -LF (eg. MP3011DQ-LF-Z)

ABSOLUTE MAXIMUM RATINGS ⁽¹⁾

| | |
|----------------------------|-----------------|
| V_{BATT} to GND | 6.5V |
| Power Dissipation | 1.0 W |
| Logic Inputs to GND | -0.3V to 6.5V |
| Storage Temperature | -65 °C to 150°C |
| Junction Temperature | 150°C |

Recommended Operating Conditions ⁽²⁾

| | |
|--|----------------|
| Input Voltage V_{BATT} | 2.5V to 5.5V |
| Operating Temperature ⁽³⁾ | -40°C to +85°C |

| Thermal Resistance ⁽⁴⁾ | θ_{JA} | θ_{JC} |
|-----------------------------------|---------------|---------------|
| QFN16 | 60 | 14 |

Notes:

- 1) Exceeding these ratings may damage the device.
- 2) The device is not guaranteed to function outside of its operating conditions.
- 3) Ambient Operating Temperature.
- 4) Measured on approximately 1" square of 1 oz copper.

ELECTRICAL CHARACTERISTICS

$V_{BATT} = 5V$, $T_A = +25^\circ C$, unless otherwise noted.

| Parameter | Symbol | Condition | Min | Typ | Max | Units |
|--------------------------------------|---------------------|---|-----|-----|-----|---------|
| Input Supply Voltage | V_{BATT} | | 2.5 | | 5.5 | V |
| V_{BATT} at 1x to 1.5x Mode Switch | $V_{BATT\ 1x-1.5x}$ | $I_{LED} = 40mA$, V_{BATT} Decreasing, $V_{LED} = 3.75V @ 40mA$ | | 3.9 | | V |
| V_{BATT} at 1.5x to 2x Mode Switch | $V_{BATT\ 1.5x-2x}$ | $I_{LED} = 40mA$, V_{BATT} Decreasing, $V_{LED} = 3.75V @ 40mA$ | | 2.9 | | V |
| V_{BATT} at 2x to 1.5x Mode Switch | $V_{BATT\ 2x-1.5x}$ | V_{BATT} Increasing, $V_{LED} = 3.75V @ 40mA$ | | 3.1 | | V |
| V_{BATT} at 1.5x to 1x Mode Switch | $V_{BATT\ 1.5x-1x}$ | V_{BATT} Increasing, $V_{LED} = 3.75V @ 40mA$ | | 4.1 | | V |
| Supply Current | I_{BATT} | 2 LEDs at 40mA, 2x Mode, $V_{BATT} = 2.5V$ | | 164 | | mA |
| Supply Current Shutdown | $I_{BATT\ SHDN}$ | $V_{EN} = 0V$ | | 0.1 | 1 | μA |
| Current Matching ⁽⁵⁾ | $I_{LED\ MATCH}$ | $I_{LED} = 40mA$ | | 1.5 | | % |
| Enable Voltage, High | $V_{EN(HIGH)}$ | | | 1.5 | | V |
| Enable Voltage, Low | $V_{EN(LOW)}$ | | | 1.0 | | V |
| Enable Pin Leakage | I_{EN} | $V_{EN} = 5V$ | | 0.1 | 1 | μA |
| Charge Pump Frequency | F_{CP} | $V_{BATT} = 3.3V$ | 1.0 | 1.3 | 1.6 | MHz |
| Time to Standby Mode ⁽⁶⁾ | T_{OFF} | Enable Switched Low | | 30 | | μs |
| Enable Pin PWM Frequency Limit | F_{HPWM} | | | 50 | | KHz |
| LED Current | I_{LED} | $R_{SET} = 1.54k\Omega$ | | 40 | | mA |

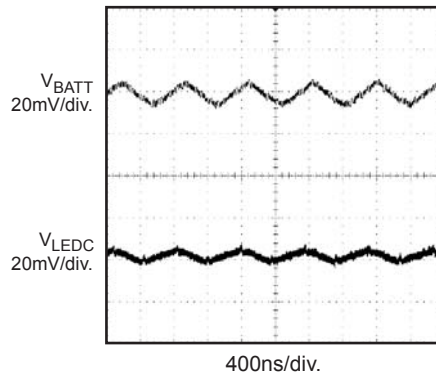
Notes:

- 5) Matching is defined as the difference of the maximum to minimum current divided by the sum of the maximum and minimum currents.
- 6) Standby mode switches to shutdown when the output voltage on LEDC drifts back to GND.

TYPICAL PERFORMANCE CHARACTERISTICS

Voltage Ripple in 1.5x Mode

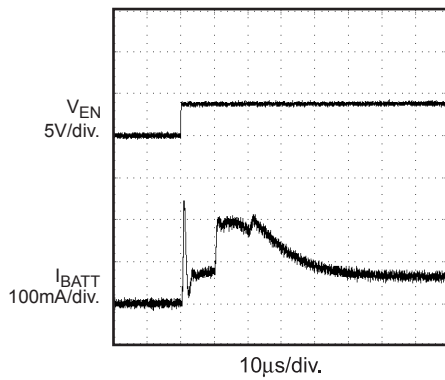
2 x 40mA LEDs



MP3011_TPC01

Startup in 1.5x Mode

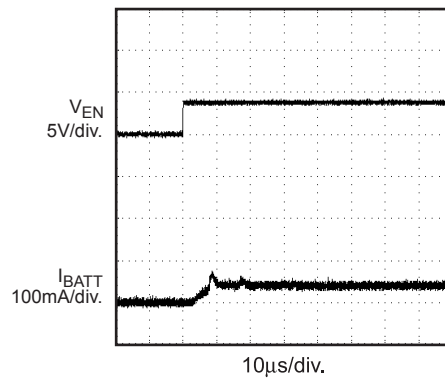
2 x 40mA LEDs (40mA each)



MP3011_TPC02

Startup in 1x Mode

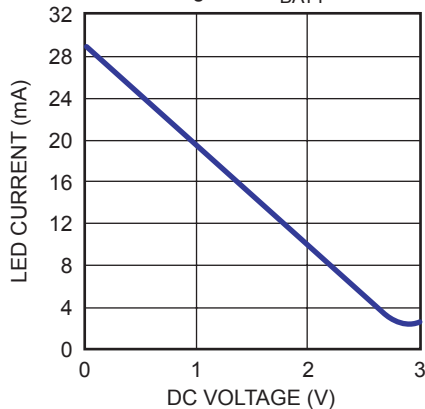
2 x 40mA LEDs (40mA each)



MP3011_TPC03

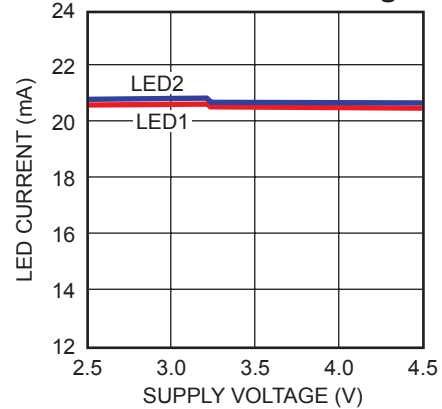
Analog Dimming

Circuit of Figure 3, $V_{BATT} = 3.6V$



MP3011_TPC04

LED Current Matching



MP3011_TPC05

PIN FUNCTIONS

| Pin # | Name | Description |
|----------|------|--|
| 1, 2, 14 | NC | No Connect. |
| 3, 10 | GND | Ground. |
| 4 | C1A | Charge Pump Capacitor #1 Positive Node. Connect the positive side of the #1 charge pump capacitor to C1A. Typical applications require C1 to be 1 μ F. |
| 5, 13 | BATT | Battery Power Input. Connect the 2.5V to 5.5V input source between BATT and GND. Bypass BATT to GND with a 1 μ F or greater capacitor. |
| 6 | C2A | Charge Pump Capacitor #2 Positive Node. Connect the positive side of the #2 charge pump capacitor to C2A. Typical applications require C2 to be 1 μ F. |
| 7 | C1B | Charge Pump Capacitor #1 Negative Node. Connect the negative side of the #1 charge pump capacitor to C1B. |
| 8 | LEDC | LED Common for the Cathodes. Connect the cathodes of the LEDs to LEDC and to a 4.7 μ F bypass capacitor. Do not connect to any other ground, supply or pin. Note: Exposed pad on backside is connected to this pin. Do Not Ground. |
| 9 | C2B | Charge Pump Capacitor #2 Negative Node. Connect the negative side of the #2 charge pump capacitor to C2B. |
| 11 | RADJ | LED Current Adjust Input. Connect a resistor between RADJ and GND to set the LED current. All of the LEDs regulate at the same current. See <i>Setting the LED Current</i> . |
| 12 | EN | Enable Input. Drive EN high to turn on the MP3011, drive EN low to shutdown the MP3011. To use burst-mode brightness control, drive EN with a PWM signal. See <i>Burst Mode Dimming</i> . |
| 15 | LED1 | #1 LED Driver. Connect the #1 LED between LED1 and LEDC, with the anode at LED1, and the cathode at LEDC. |
| 16 | LED2 | #2 LED Driver. Connect the #2 LED between LED2 and LEDC, with the anode at LED2, and the cathode at LEDC. |

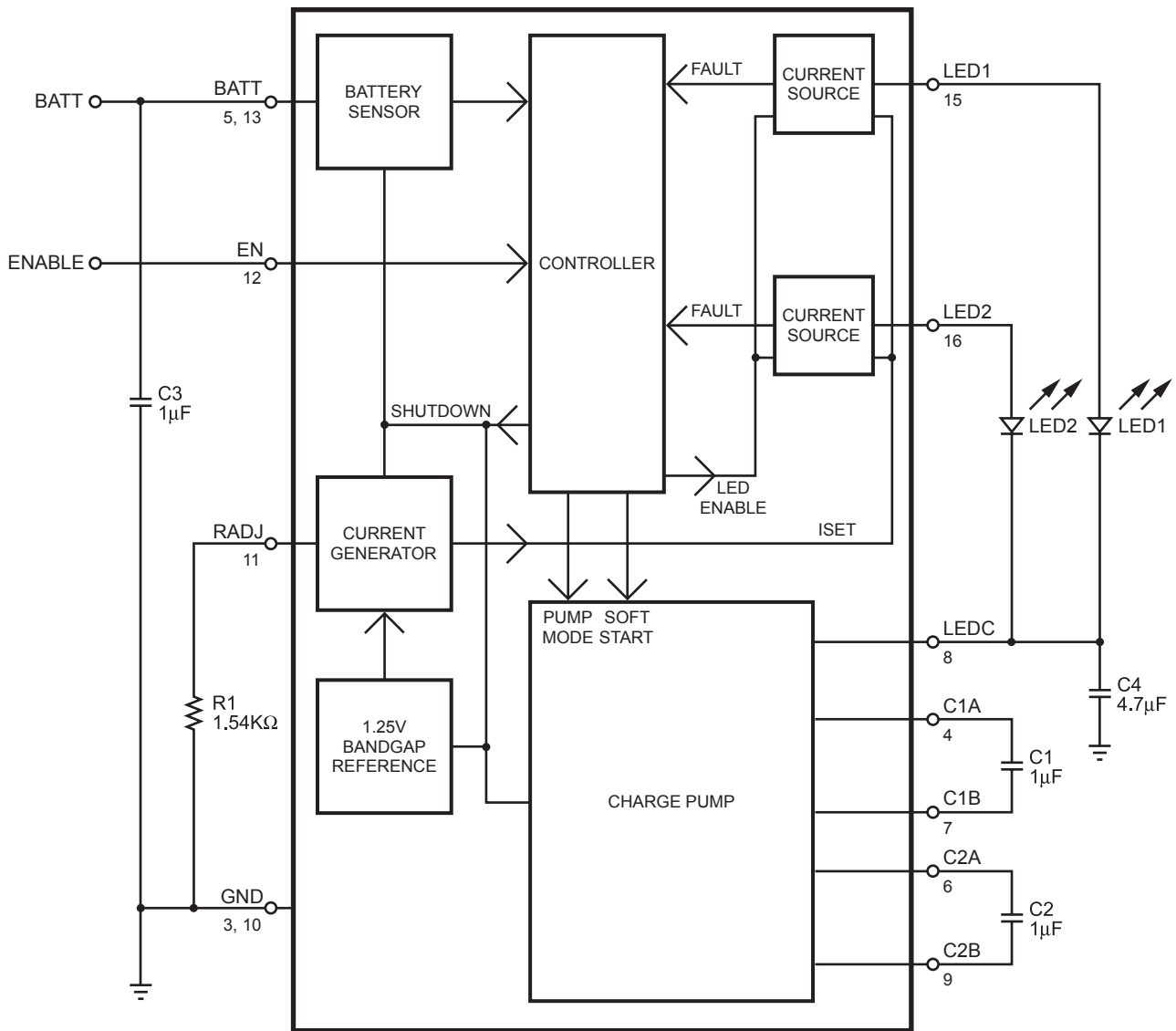
OPERATION

The MP3011 is a charge pump that drives 2 LEDs from a 2.5V to 5.5V input voltage. It automatically switches between 1x, 1.5x and 2x charge pump modes to optimize efficiency while maintaining LED current regulation.

Two drivers independently regulate the current through the LEDs, therefore matching LEDs are not required.

The MP3011 employs soft switching and soft-start to prevent overloading the battery source at turn-on as well as charge pump mode switching.

While operating, the MP3011 continually monitors the LED current and battery voltage and automatically switches between charge pump modes to retain LED current regulation through all LEDs as the battery voltage fluctuates.



MP3011_F01_BD01

Figure 1—Functional Block Diagram

APPLICATION INFORMATION

COMPONENT SELECTION

Startup

When power is applied to the BATT pin, driving EN high will enable the MP3011. The MP3011 begins by checking for open LEDs and determining the optimum charge pump mode. The lowest charge pump mode that allows the programmed LED current in all LEDs is set. This will occur during initial turn-on or during analog mode and burst mode dimming.

Shutdown

Driving EN low for more than 30µs will disable the MP3011. For safety the MP3011 runs a small supervisory circuit in standby to protect the charge pump output LEDC. The circuit shuts down when the charge pump output returns to zero volts (this can take a few seconds). The MP3011 is in true shutdown mode when LEDC is zero and the 30µs time interval has passed. The supply current should be less than 1µA.

Setting the LED Current

The LED regulation current is set through the resistor R1 (refer to the typical application circuit on page 1). The voltage across R1 is fixed at 1.25V, and the current through that resistor sets the current through the LEDs.

Figure 2 shows LED Current (I_{LED}) vs. R1 with $V_{BATT} = 3.6V$.

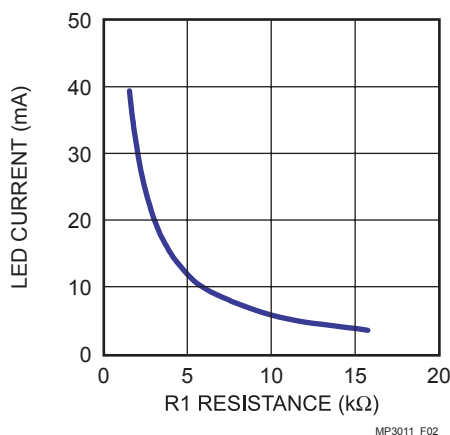


Figure 2— I_{LED} vs. R1

Choose R1 for the desired LED current according to the equation:

$$R1 = \frac{62.5}{I_{LED}}$$

Where R1 is in kΩ and I_{LED} is in mA. Suitable values for R1 are greater than 1.2kΩ.

Soft-Start

During startup and mode switching, an internal soft-start prevents excessive input current, preventing excessive loading of the battery or input power source.

Burst Mode Dimming

To dim the part using burst mode, drive EN with a PWM signal. Each time EN is driven high, the MP3011 goes through the initial startup routine and checks for open LEDs, and the charge pump step-up mode is reset.

When EN goes low, the LED current immediately goes to zero. After EN is held low for 30µs or longer, and LEDC falls below GND, the MP3011 operating current drops below 1µA to improve battery life. Maintain the frequency of the PWM signal between 50Hz and 50KHz. Going above 50KHz, the accuracy of the PWM signal will be degraded due to the startup time, and below 50Hz, the LED flicker will be evident to the eye.

Ideally, the LED current increases proportionally with the duty cycle of the PWM signal and is independent of the dimming frequency.

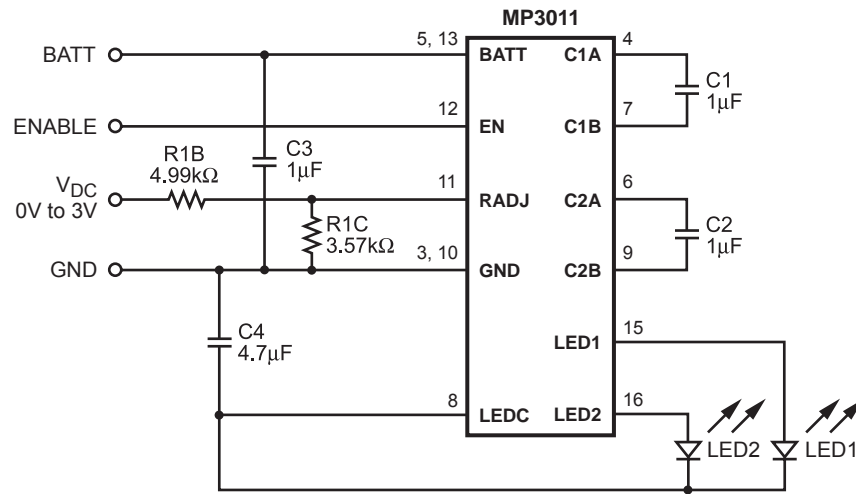
Analog Mode Dimming

Analog dimming can be accomplished with the circuit in Figure 3. The circuit provides 2mA to 30mA dimming with $V_{DC} = 0V$ to 3V. The minimum LED current the MP3011 can regulate is approximately 2mA.

LEDC

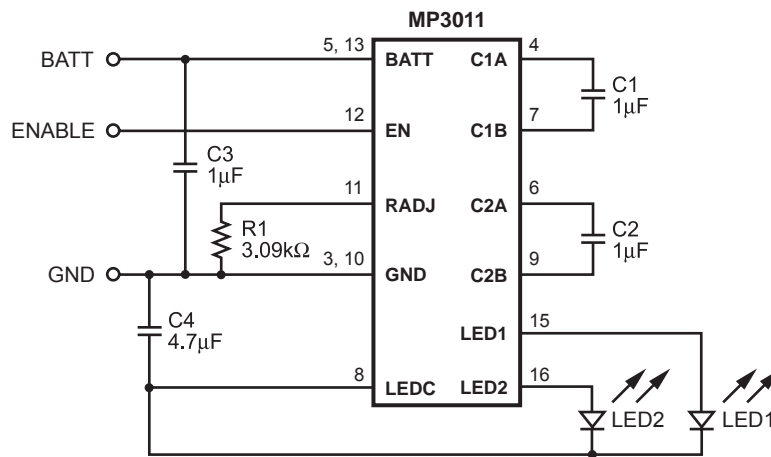
Do not drive or force LEDC as it may be shorted to ground or may be pumped down by the controller in the MP3011 at any time. Excessive capacitance on the LEDC node can cause the internal controller to time out before the charge pump can be ready. Missing the timeouts will cause excessive pumping and a loss of efficiency. The MP3011 requires C1 and C2 be of the same value and type.

TYPICAL APPLICATION CIRCUITS



MP3011_F03

Figure 3—Analog Dimming Circuit

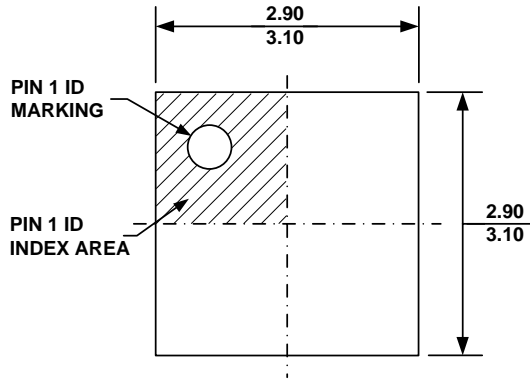


MP3011_F04

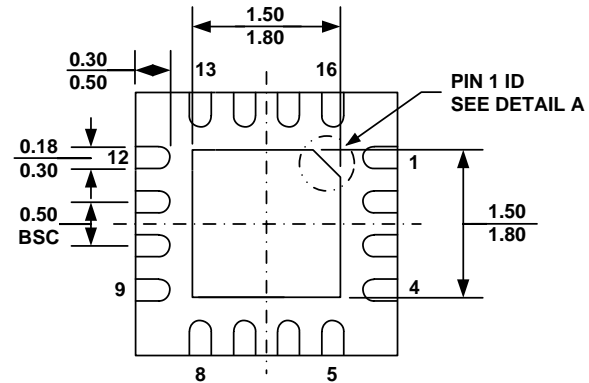
Figure 4—Circuit for Driving 2 LEDs at 20mA per LED

PACKAGE INFORMATION

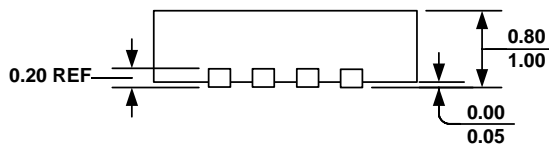
QFN16 (3mm x 3mm)



TOP VIEW

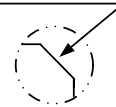


BOTTOM VIEW

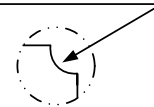


SIDE VIEW

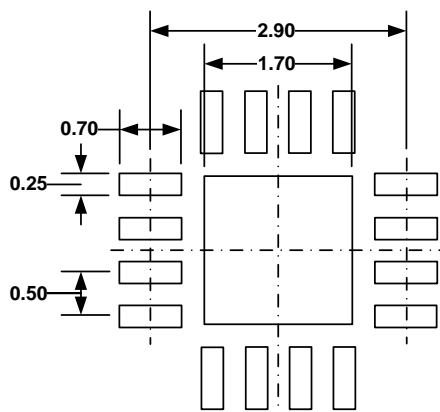
PIN 1 ID OPTION A
0.30x45° TYP.



PIN 1 ID OPTION B
R0.20 TYP.



DETAIL A



RECOMMENDED LAND PATTERN

NOTE:

- 1) ALL DIMENSIONS ARE IN MILLIMETERS.
- 2) EXPOSED PADDLE SIZE DOES NOT INCLUDE MOLD FLASH.
- 3) LEAD COPLANARITY SHALL BE 0.10 MILLIMETER MAX.
- 4) DRAWING CONFORMS TO JEDEC MO-220, VARIATION VEED-4.
- 5) DRAWING IS NOT TO SCALE.

NOTICE: The information in this document is subject to change without notice. Please contact MPS for current specifications. Users should warrant and guarantee that third party Intellectual Property rights are not infringed upon when integrating MPS products into any application. MPS will not assume any legal responsibility for any said applications.