



DESCRIPTION

PT2323 is a 6-Channel Audio Selector utilizing CMOS Technology specially designed for Home Theater System. It provides a built-in 2-Channel to 6-Channel Translator, which can directly mix traditional stereo channel to simulate a 6-Channel audio output. Single power supply (9V), I²C Bus Interface as well as very low Total Harmonic Distortion (THD < 0.005%) and other features are incorporated into a single chip thereby providing very high performance. Pin assignments and application circuit are optimized for easy PCB layout and cost saving advantages.

FEATURES

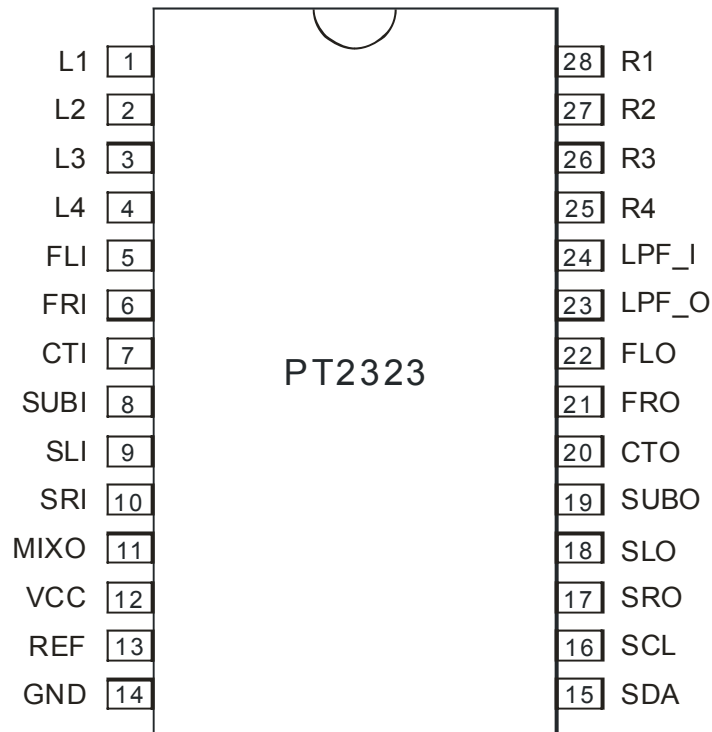
- Supply Voltage: 9V
- 4 Stereo Inputs
- One 6-Channel Input
- Maximum Input Voltage: 3.75Vrms (1KHz, THD<1%)
- Low Total Harmonic Distortion, THD<0.005% (1KHz, 0.2Vrms)
- Low Noise: No<4 μ Vrms
- I²C Bus Interface
- Available in 28 Pins, DIP or SOP

APPLICATIONS

- AV System
- Mini Compo
- Car Stereo
- Multi-Media Audio Systems

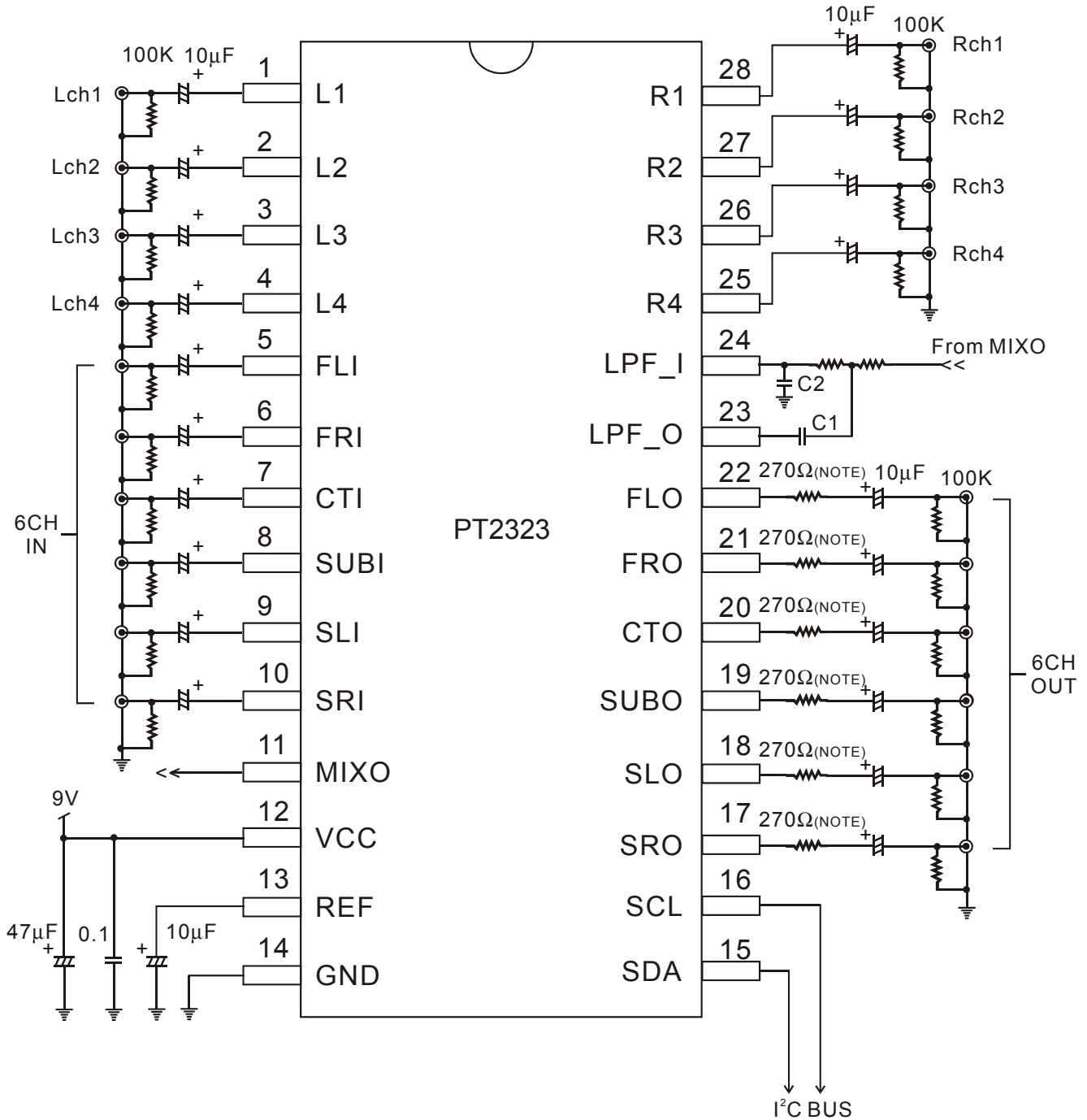


PIN CONFIGURATION





APPLICATION CIRCUIT



Note:

* = An external resistor (R=270Ω) must be connected in series to each of the output pins (FLO, FRO, CTO, SUBO, SLO, SRO) and must be as close as possible to the PT2323 chip.



ORDER INFORMATION

Valid Part Number	Package Type	Top Code
PT2323	28 Pins, DIP, 600mil	PT2323
PT2323-S	28 Pins, SOP, 300mil	PT2323-S
PT2323 (L)	28 Pins, DIP, 600mil	PT2323
PT2323-S (L)	28 Pins, SOP, 300mil	PT2323-S

Notes:

1. (L), (C) or (S) = Lead Free.
2. The Lead Free mark is put in front of the date code.