

TOSHIBA BIPOLAR LINEAR INTEGRATED CIRCUIT SILICON MONOLITHIC

# TA8225H, TA8225L

## 45W BTL AUDIO AMPLIFIER

The TA8225H, TA8225L is BTL audio power amplifier for consumer application.

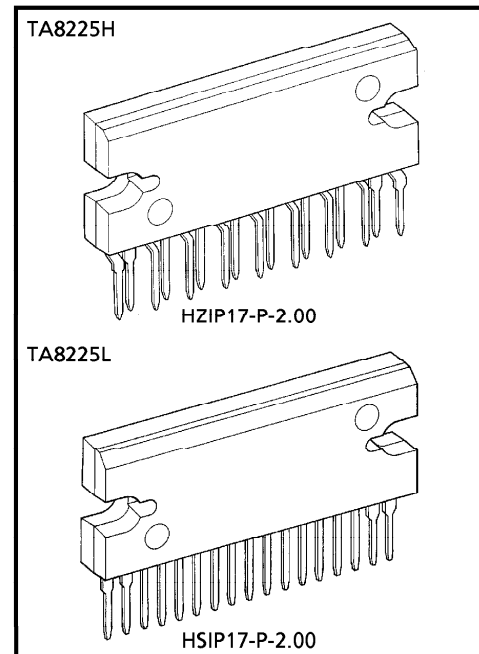
It is designed for high power, low distortion and low noise.

It contains various kind of protectors and the function of stand-by SW.

In addition, the functions of output short or over voltage detection and junction temperature are involved.

### FEATURES

- High Power
  - : P<sub>OUT</sub> (1) = 45W (Typ.)  
(V<sub>CC</sub> = 14.4V, f = 1kHz, THD = 10%, R<sub>L</sub> = 2Ω)
  - : P<sub>OUT</sub> (2) = 40W (Typ.)  
(V<sub>CC</sub> = 13.2V, f = 1kHz, THD = 10%, R<sub>L</sub> = 2Ω)
  - : P<sub>OUT</sub> (3) = 24W (Typ.)  
(V<sub>CC</sub> = 13.2V, f = 1kHz, THD = 10%, R<sub>L</sub> = 4Ω)
- Low Thermal Resistance
  - :  $\theta_{j-c}$  = 1.5°C/W (Infinite Heat Sink)
- Excellent Output Power Band Width
  - : P<sub>OUT</sub> (4) = 18W (Typ.)  
(V<sub>CC</sub> = 13.2V, f = 50Hz~20kHz, THD = 1%, R<sub>L</sub> = 4Ω)
- Low Distortion Ratio
  - : THD = 0.015% (Typ.) Z  
(V<sub>CC</sub> = 13.2V, f = 1kHz, P<sub>OUT</sub> = 4W, R<sub>L</sub> = 4Ω)
- Built-in Stand-by Function (With pin ① set at high, power is turned ON)
- Built-in Output Short or Over Voltage Detection Circuit, Output to V<sub>CC</sub> and Output to GND Short.  
(Pin ⑧ : Open Collector)
- Built-in Junction Temperature Detection Circuit. (Pin ② : Open Collector)
- Built-in Various Protection Circuits
  - Thermal Shut Down, Over Voltage
  - Output to GND Short
  - Output to V<sub>CC</sub> Short
  - Output to Output Short
- Operating Supply Voltage : V<sub>CC</sub> (opr) = 9~18V



### Weight

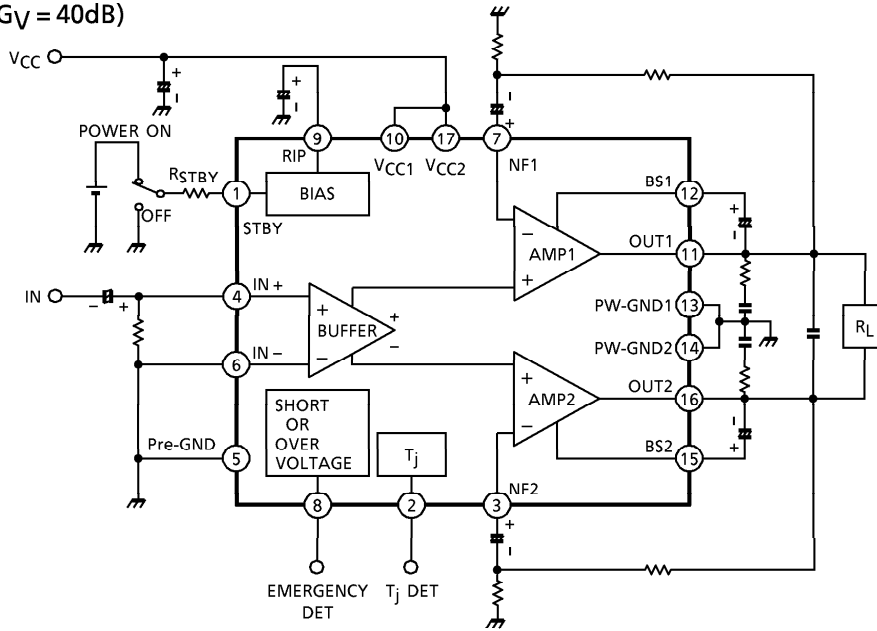
HZIP17-P-2.00 : 9.8g (Typ.)  
HSIP17-P-2.00 : 9.8g (Typ.)

961001EBF1

- TOSHIBA is continually working to improve the quality and the reliability of its products. Nevertheless, semiconductor devices in general can malfunction or fail due to their inherent electrical sensitivity and vulnerability to physical stress. It is the responsibility of the buyer, when utilizing TOSHIBA products, to observe standards of safety, and to avoid situations in which a malfunction or failure of a TOSHIBA product could cause loss of human life, bodily injury or damage to property. In developing your designs, please ensure that TOSHIBA products are used within specified operating ranges as set forth in the most recent products specifications. Also, please keep in mind the precautions and conditions set forth in the TOSHIBA Semiconductor Reliability Handbook.
- This product generates heat during normal operation. However, substandard performance or malfunction may cause the product and its peripherals to reach abnormally high temperatures.  
The product is often the final stage (the external output stage) of a circuit. Substandard performance or malfunction of the destination device to which the circuit supplies output may cause damage to the circuit or to the product.
- The products described in this document are subject to foreign exchange and foreign trade control laws.
- The information contained herein is presented only as a guide for the applications of our products. No responsibility is assumed by TOSHIBA CORPORATION for any infringements of intellectual property or other rights of the third parties which may result from its use. No license is granted by implication or otherwise under any intellectual property or other rights of TOSHIBA CORPORATION or others.
- The information contained herein is subject to change without notice.

**BLOCK DIAGRAM**

TA8225H / L ( $G_V = 40\text{dB}$ )



**CAUTION FOR USE AND METHOD OF APPLICATION**

1. Voltage gain adjustment

Voltage gain  $G_V$  of this IC is decided by the external feedback resistors  $R_{f1}$  and  $R_{f2}$ .

Gain fluctuation by temperature can be made smaller than they are housed in IC.

Voltage gain  $G_V$  is decided by the following expression :

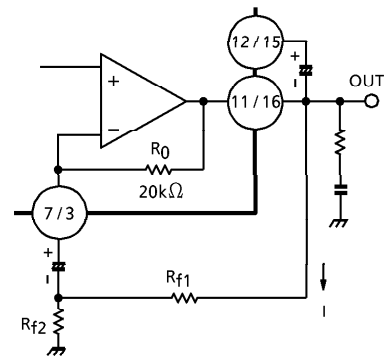
$$\text{If } R_0 = 20\text{k}\Omega \gg R_{f1} > R_{f2} \quad G_V \cong 20 \log \frac{R_{f1} + R_{f2}}{R_{f2}} + 6 \text{ (dB)}$$

$$\text{If } R_0 = 20\text{k}\Omega > R_{f1} > R_{f2} \quad G_V \cong 20 \log \frac{(R_0 // R_{f1}) + R_{f2}}{R_{f2}} + 6 \text{ (dB)}$$

If  $R_{f1}$  and  $R_{f2}$  are made small, the following problems may be caused :

- (1) When output short is released, output DC voltage is not restored.
- (2) Fluctuation of output DC voltage by current  $I$  in (Fig.1).

If voltage gain is made small excessively, oscillation may be taken place and therefore, this IC shall be used at  $G_V = 34\text{dB}$  or above.



(Fig.1)

2. Preventive measure against oscillation

For preventing the oscillation, it is advisable to use  $C_4$ , the condenser of polyester film having small characteristic fluctuation of the temperature and the frequency.

the condenser ( $C_6$ ) between input and GND is effective for preventing oscillation which is generated with feedback signal from an output stage.

The resistance R to be series applied to  $C_4$  is effective for phase correction of high frequency, and improves the oscillation allowance.

Since the oscillation allowance is varied according to the causes described below, perform the temperature test to check the oscillation allowance.

- (1) Voltage gain to be used ( $G_V$  Setting)
- (2) Capacity value of condenser
- (3) Kind of condenser
- (4) Layout of printed board

In case of its use with the voltage gain  $G_V$  reduced or with the feedback amount increased, care must be taken because the phase-inversion is caused by the high frequency resulting in making the oscillation liable generated.

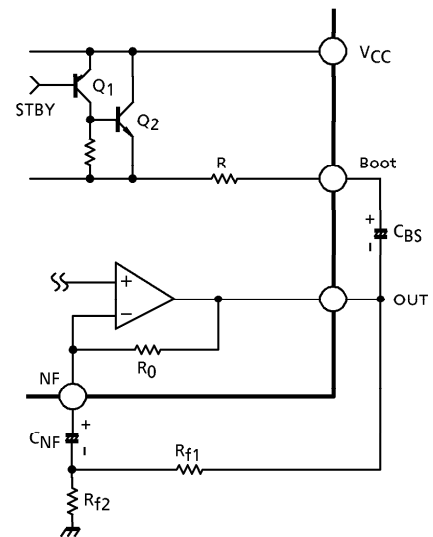
3. Pop noise

A pop noise generated when the power source is turned ON depends on rise times of the in-phase side output (①pin) and the negative-phase side output (⑩pin), that is, output offset voltage.

The following two points may be pointed out as causes for generation the output offset voltage :

- (1) In-phase and negative-phase NF capacitor charging times
- (2) Input offset voltage

Especially, the factor (2) relates to the pop noise level.



(Fig.2)

(1) In-phase and negative phase NF capacitor charging time

In (Fig.2), when the power source is turned ON,  $Q_1$  and  $Q_2$  are turned ON, and NF capacitors are charged in the route of  $V_{CC} \rightarrow Q_2 \rightarrow R \rightarrow \text{Boot} \rightarrow C_{BS} \rightarrow \text{OUT} \rightarrow R_0 \rightarrow C_{NF}$ . For instance, if the capacity of an in-phase capacitor is not properly paired with that of a negative-phase capacitor, output offset voltage = pop noise is produced because a charging time of NF capacitor differs between the in-phase and negative-phase outputs.

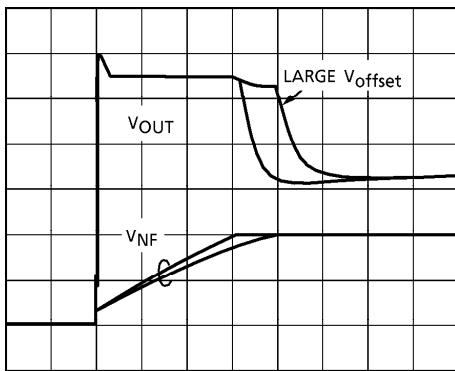
Therefore, to suppress the pop noise it is necessary to properly pair the in-phase and negative-phase NF capacitors. Output and NF DC voltage waveforms by the pairing of NF capacitors :  $C_{NF}$  are shown in (Fig.3) and (Fig.4).

Further, voltage waveforms are shown when the power source was turned ON, under the following conditions :

$V_{CC} = 13.2V$ ,  $R_L = 4\Omega$ ,  $T_a = 25^\circ C$ , and input short-circuit.

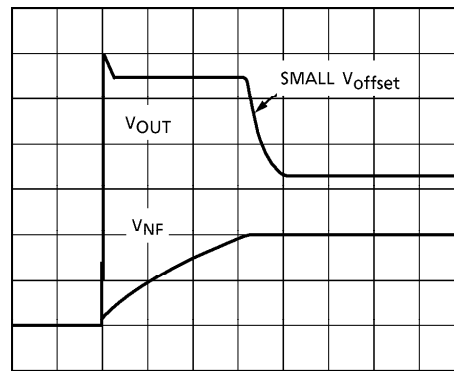
Output DC Voltage  $V_{OUT}$  : (2V/div, 200ms/div)

NF DC Voltage  $V_{NF}$  : (1V/div, 200ms/div)



LARGE  $V_{offset}$

(When  $C_{NF}$  are improperly paired)  
(Fig.3)



SMALL  $V_{offset}$

(When  $C_{NF}$  are properly paired)  
(Fig.4)

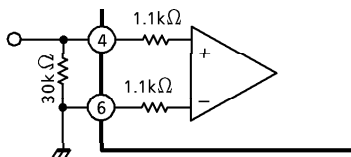
(2) Input offset voltage

Input offset voltage is increased by as many times as a gain and appears as output offset voltage.

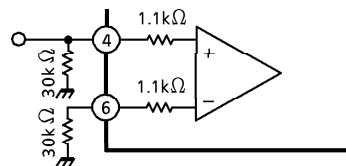
Input offset voltage is affected by an external resistor in addition to properness of pair of capacitor in IC.

An example of a general application circuit is shown in (Fig.5). In this case, input to the differential amplifier composing the buffer amplifier is decided to be  $30k\Omega + 1.1k\Omega = 31.1k\Omega$  at the IN (+) side and  $1.1k\Omega$  at the IN (-) side. Therefore a rising difference of about 30 times between the IN (+) side and the IN (-) side.

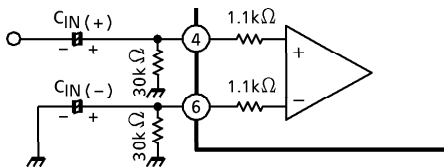
So, to fit input offset voltages, it is possible to suppress the input offset voltage by adjusting it to  $31.1k\Omega$  both at the IN (+) and IN (-) sides according to the application example shown in (Fig.6). As input coupling capacitors are used in actual set, the circuit shown in (Fig.7) is considered. In this case, it is necessary to take the utmost care of proper pair of  $C_{IN (+)}$  and  $C_{IN (-)}$ .



(Fig.5)



(Fig.6)



(Fig.7)

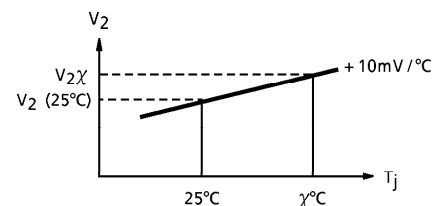
Pop noise level affected by input offset voltage shall be checked on an actually mounted set.

4. Junction temperature detecting pin ②

Using temperature characteristic of a band gap circuit and in proportion to junction temperature, pin ② DC voltage :  $V_2$  rises at about  $\pm 10mV/^\circ C$  temperature characteristic. So, the relation between  $V_2$  at  $T_j = 25^\circ C$  and  $V_2\chi$  at  $T_j = \chi^\circ C$  is decided by the following expression :

$$T_j (\chi^\circ C) = \frac{V_2\chi - V_2 (25^\circ C)}{10mV/^\circ C} + 25 (^\circ C)$$

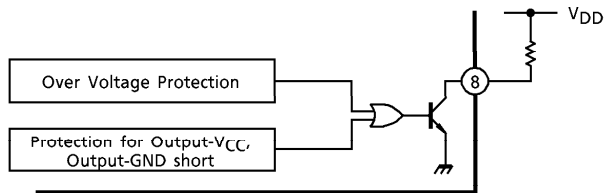
In deciding a heat sink size, a junction temperature can be easily made clear by measuring voltage at this pin while a backside temperature of IC was so far measured using a thermocouple type thermometer.



(Fig.8)

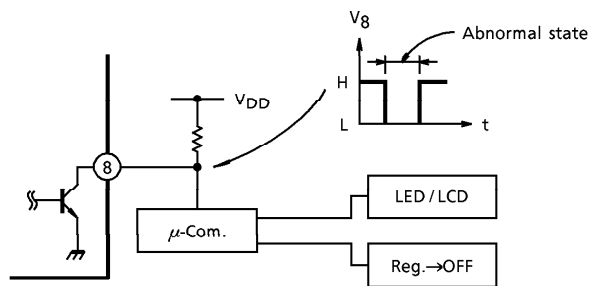
5. Output- $V_{CC}$  short, output-GND short and over voltage detecting pin ⑧

In case of such abnormalities as output- $V_{CC}$  short, output-GND short, overvoltage (Fig.9), it is possible to inform the abnormal state to the outside by turning a NPN transistor is turned ON.



(Fig.9)

It is possible to improve the reliability of not only power IC but also an entire equipment by (1) display by LED and LCD and (2) by turning the power supply relay off.



(Fig.10)

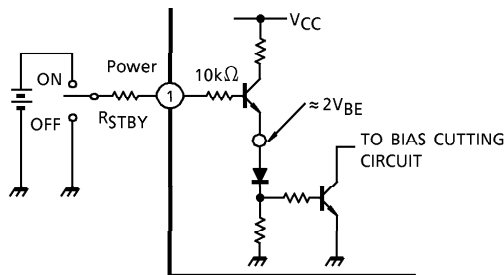
6. Stand-by SW function

By means of controlling pin ① (Stand-by terminal) to High and Low, the power supply can be set to ON and OFF.

the threshold voltage of pin ① is set at about  $3V_{BE} \approx 2.1V$  (Typ.), and the power supply current is about  $1\mu A$  (Typ.) at the stand-by state.

Control Voltage of ① pin :  $V(SB)$

Stand-By	Power	$V(SB)$ (V)
ON	OFF	0~2
OFF	ON	3~ $V_{CC}$

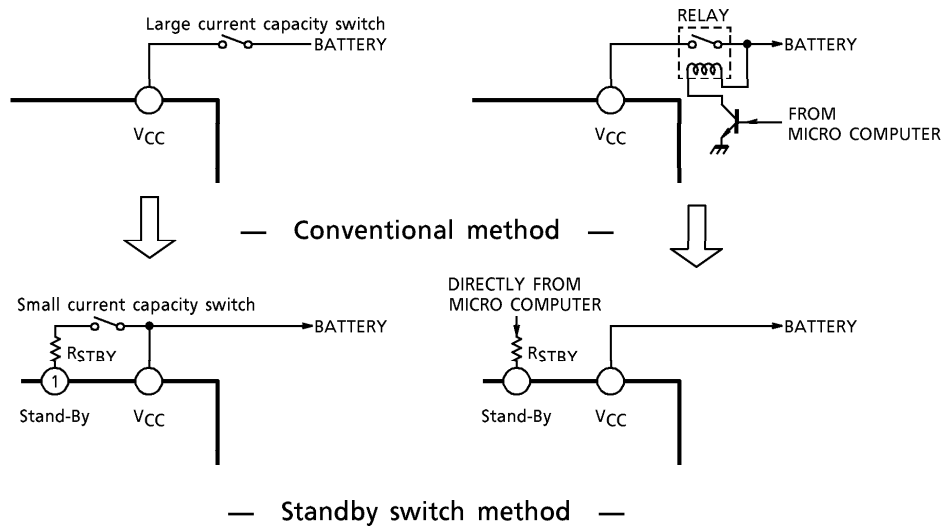


With pin ① set to high, power is turned ON.

(Fig.11)

<Caution>

Must be set the control voltage value less than  $V_{CC}$  when the stand-by terminal (Pin ①) is applied. In this case, we recommended the series connecting resistance for current limit :  $R_{STBY}$  ( $100k\Omega \sim 1k\Omega$  to pin ①.)



MAXIMUM RATINGS ( $T_a = 25^\circ C$ )

CHARACTERISTIC	SYMBOL	RATING	UNIT
Peak Supply Voltage (0.2s)	$V_{CC(surge)}$	50	V
DC Supply Voltage	$V_{CC(DC)}$	25	V
Operating Supply Voltage	$V_{CC(opr)}$	18	V
Output Current (Peak)	$I_O(peak)$	9	A
Power Dissipation	$P_D$	50	W
Operating Temperature	$T_{opr}$	-30~85	$^\circ C$
Storage Temperature	$T_{stg}$	-55~150	$^\circ C$

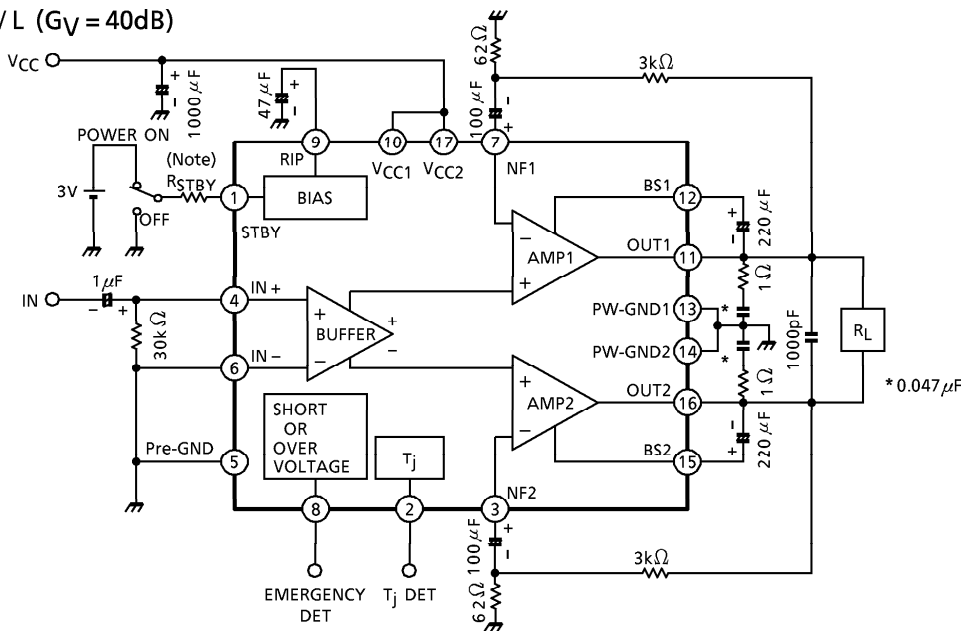
**ELECTRICAL CHARACTERISTICS**

(Unless otherwise specified,  $V_{CC} = 13.2V$ ,  $R_L = 4\Omega$ ,  $R_g = 600\Omega$ ,  $f = 1kHz$ ,  $T_a = 25^\circ C$ )

CHARACTERISTIC	SYMBOL	TEST CIRCUIT	TEST CONDITION	MIN.	TYP.	MAX.	UNIT
Quiescent Current	$I_{CCQ}$	—	$V_{IN} = 0$	—	150	250	mA
Output Power	$P_{OUT} (1)$	—	$V_{CC} = 14.4V$ , THD = 10%, $R_L = 2\Omega$	—	45	—	W
	$P_{OUT} (2)$	—	THD = 10%, $R_L = 2\Omega$	33	40	—	W
	$P_{OUT} (3)$	—	THD = 10%	20	24	—	W
	$P_{OUT} (4)$	—	THD = 1%, $f = 50Hz \sim 20kHz$	—	18	—	W
Total Harmonic Distortion	THD	—	$P_{OUT} = 4W$	—	0.015	0.07	%
Voltage Gain	$G_V$	—	$V_{IN} = 10mV_{rms}$	38.5	40	41.5	dB
Output Noise Voltage	$V_{NO} (1)$	—	$R_g = 0$ , DIN45405 Noise filter	—	0.26	—	$mV_{rms}$
	$V_{NO} (2)$	—	$R_g = 0$ , BW = 20Hz~20kHz	—	0.23	0.5	$mV_{rms}$
Ripple Rejection Ratio	R.R.	—	$f = 100Hz$ , $V_{ripple} = 0.775V_{rms}$ (0dBm)	50	60	—	dB
Output Offset Voltage	$V_{offset}$	—	$V_{IN} = 0$	- 100	0	100	mV
Current at Stand-By State	$I_{SB}$	—	—	—	1	30	$\mu A$

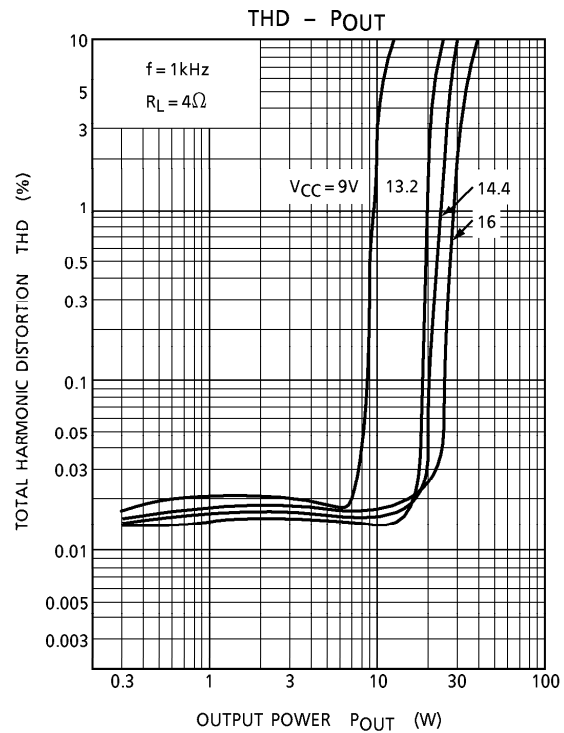
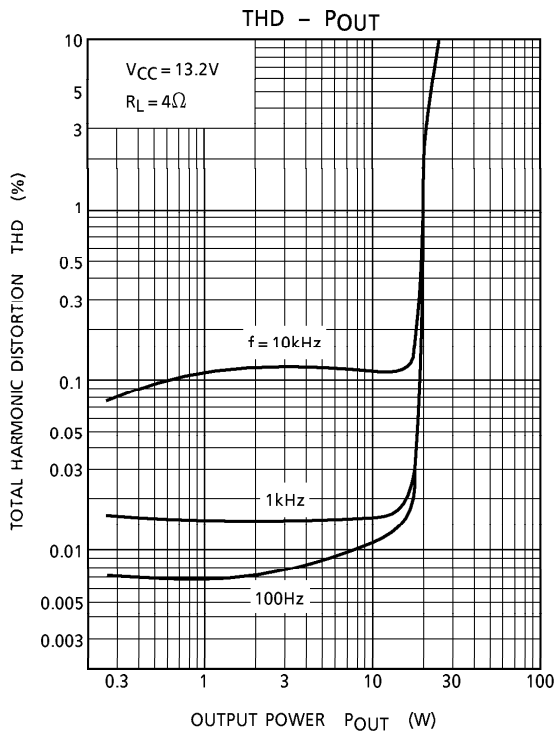
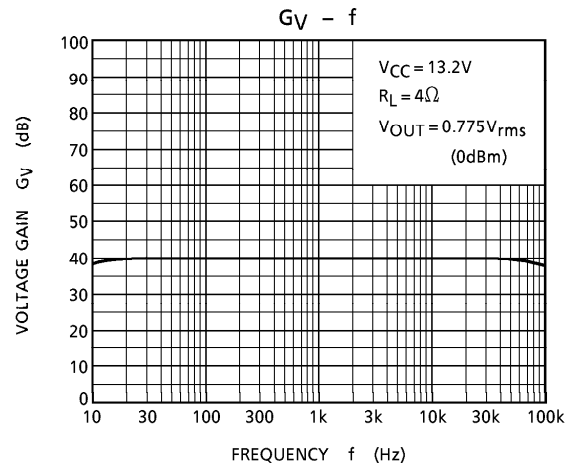
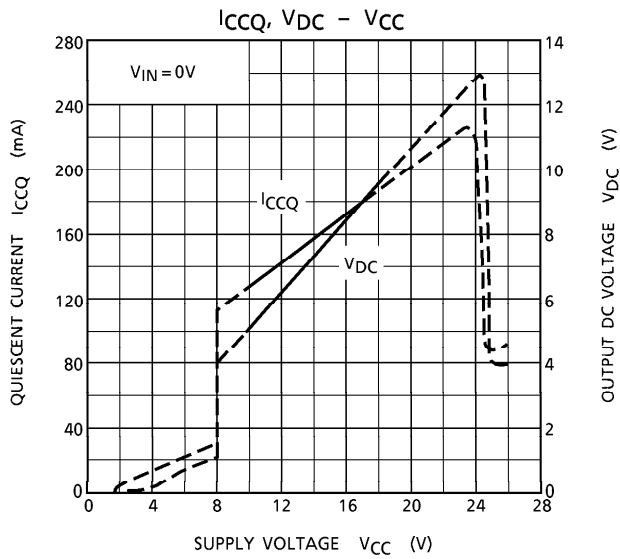
**TEST CIRCUIT**

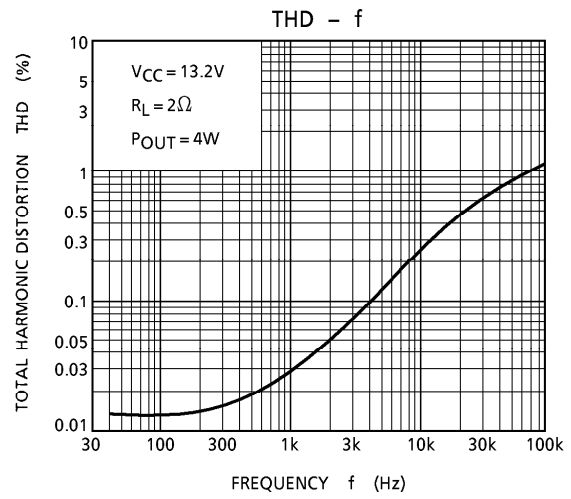
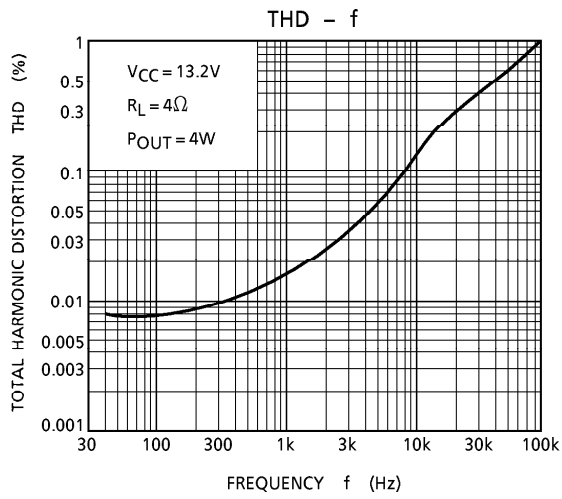
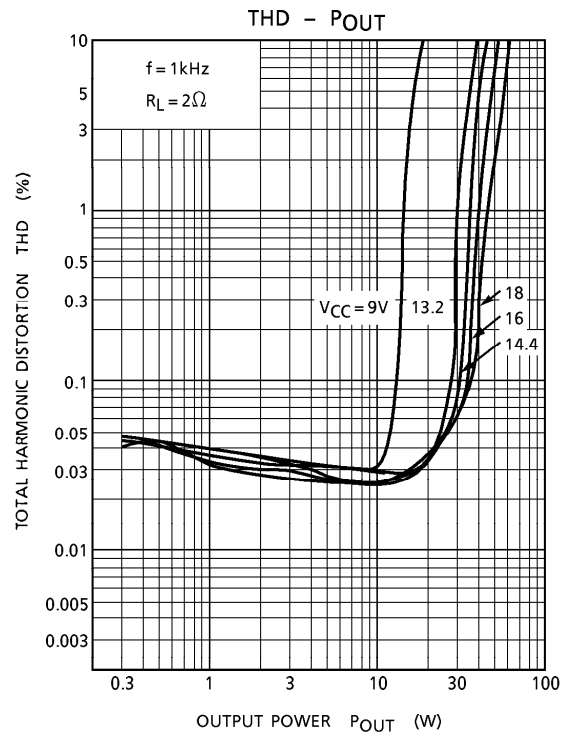
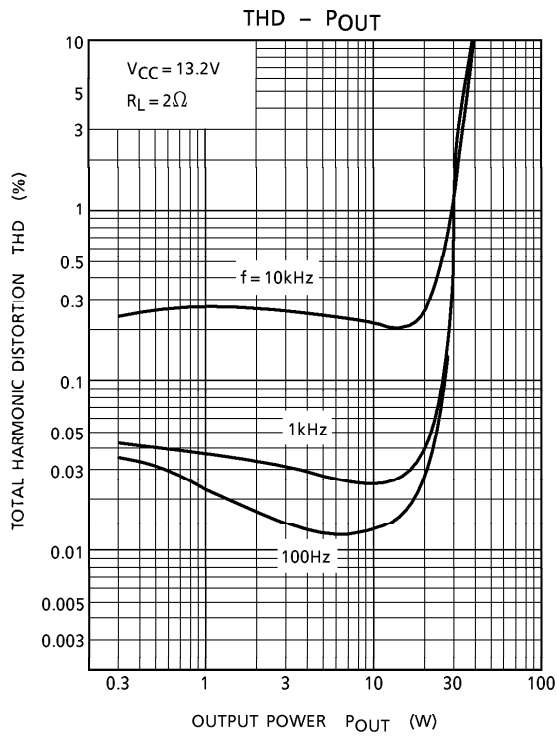
TA8225H/L ( $G_V = 40dB$ )

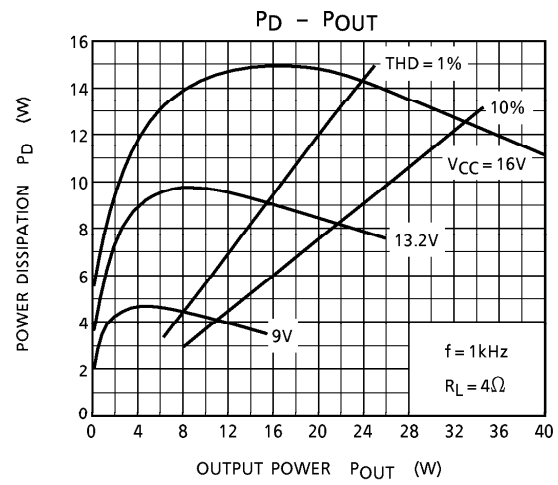
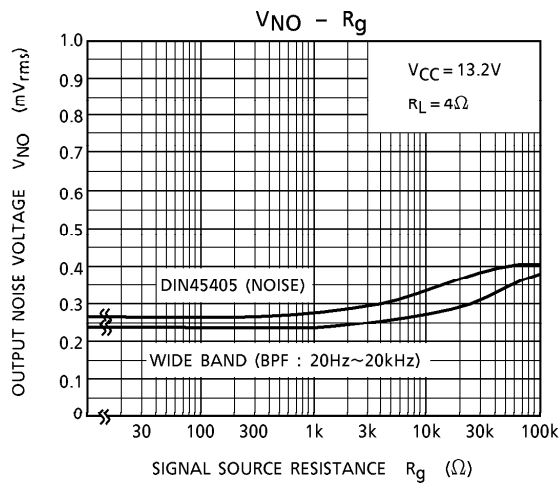
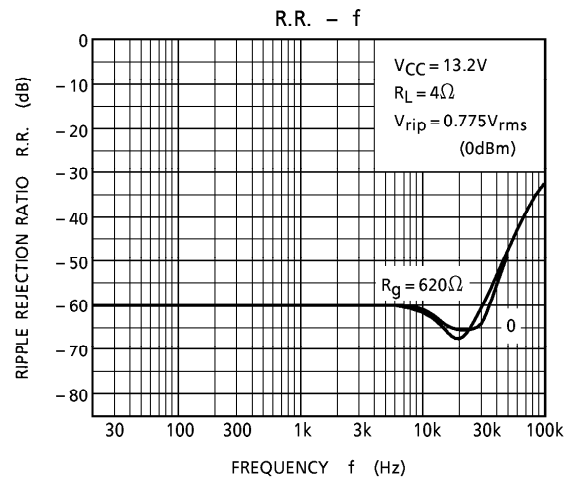
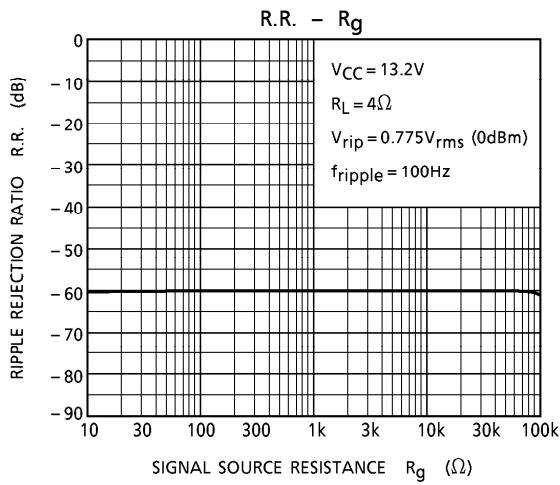
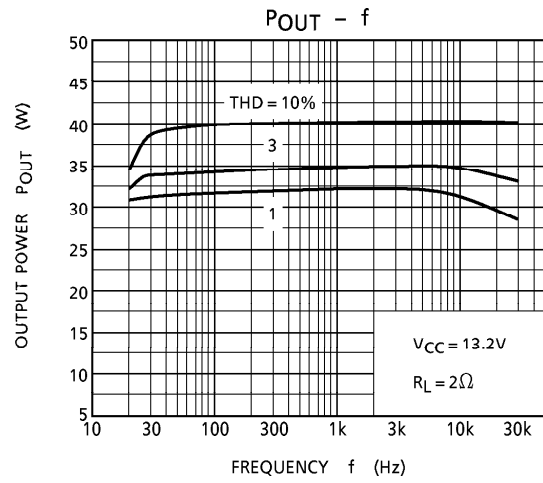
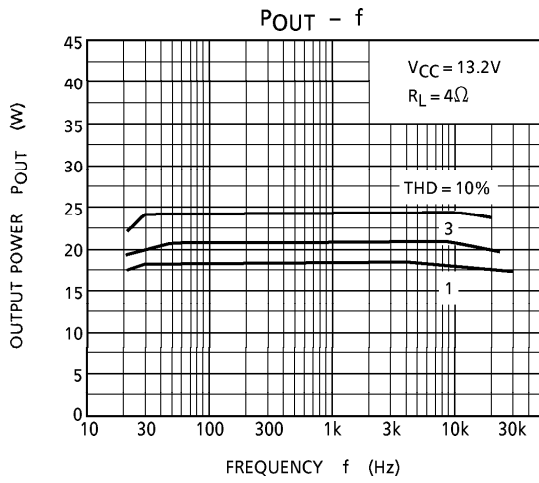


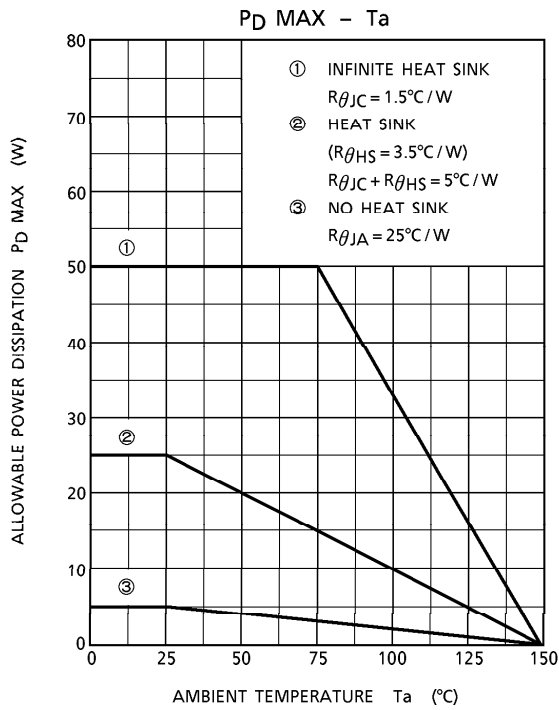
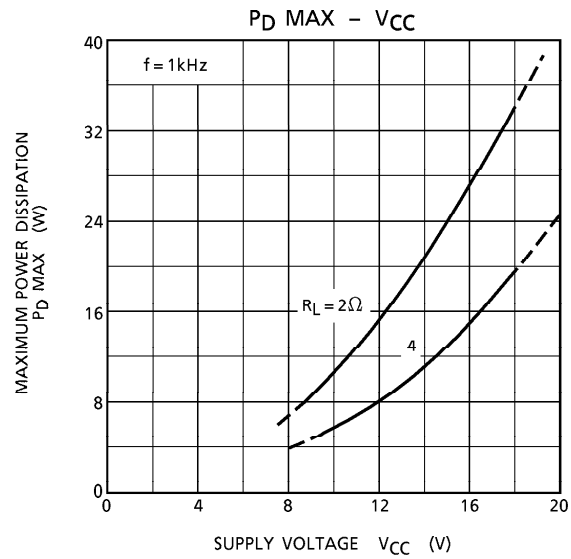
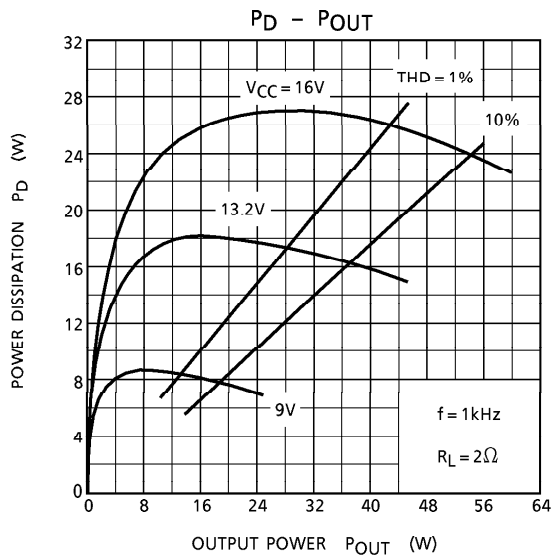
(Note) The purpose of  $R_{STBY}$  is current limiting resistance.





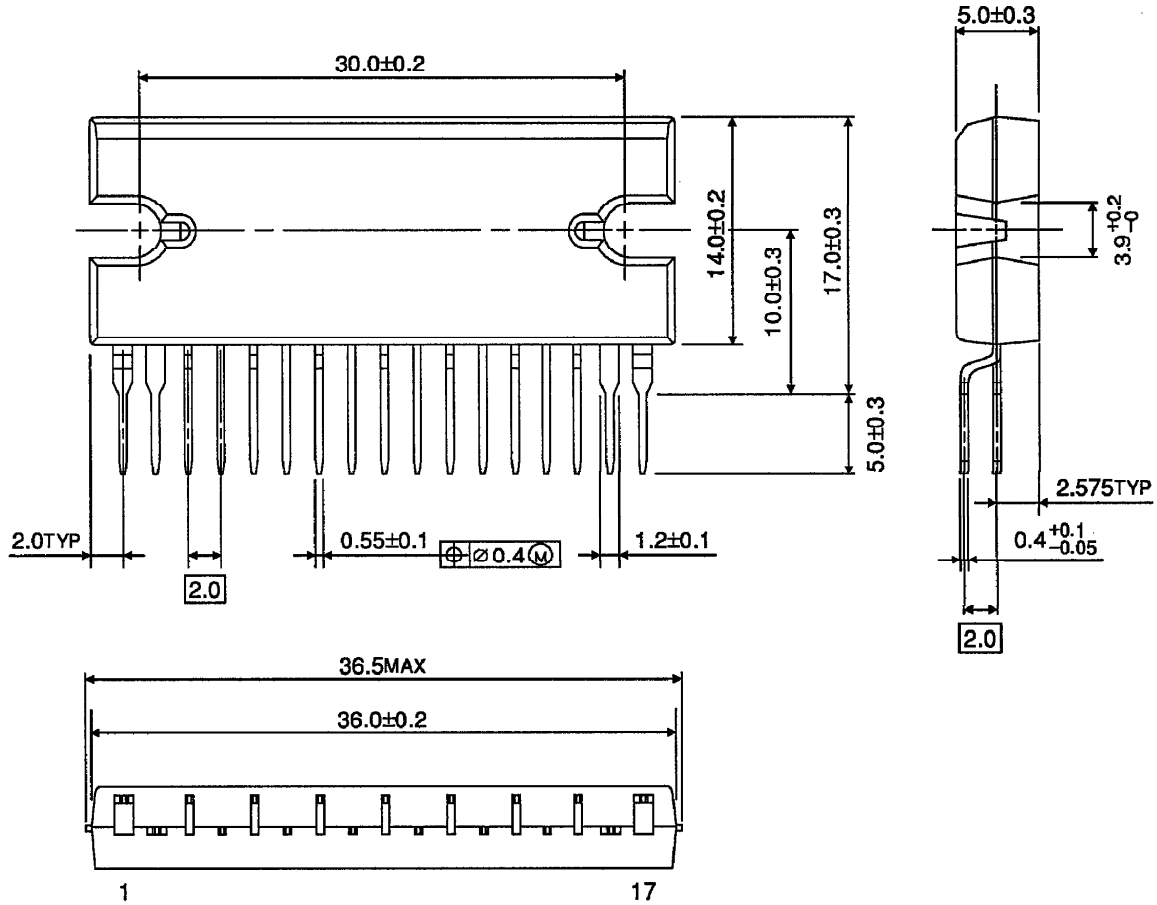






OUTLINE DRAWING  
HZIP17-P-2.00

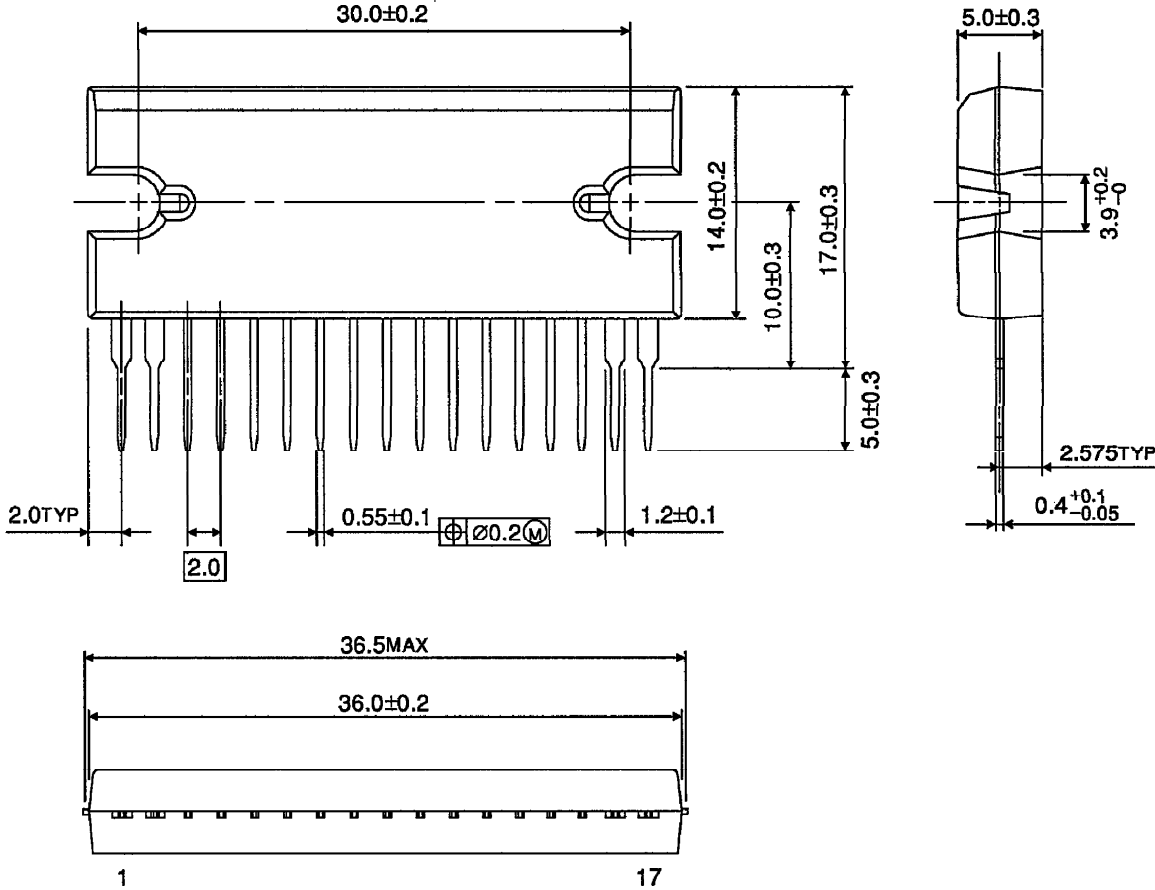
Unit : mm



Weight : 9.8g (Typ.)

OUTLINE DRAWING  
HSIP17-P-2.00

Unit : mm



Weight : 9.8g (Typ.)