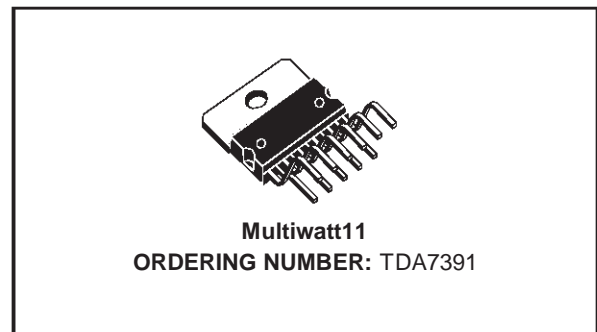


35W BRIDGE CAR RADIO AMPLIFIER

- HIGH POWER CAPABILITY:
 - 40W/4Ω MAX
 - 35W/4Ω EIAJ
 - 45W/3.2Ω MAX
 - 40W/3.2Ω EIAJ
 - 32W/3.2Ω @ $V_s = 14.4V, f = 1KHz, d = 10\%$
 - 26W/4Ω @ $V_s = 14.4V, f = 1KHz, d = 10\%$
- DIFFERENTIAL INPUTS (EITHER SINGLE ENDED OR DIFFERENTIAL INPUT SIGNAL ARE ACCEPTED)
- MINIMUM EXTERNAL COMPONENT COUNT:
 - NO BOOTSTRAP CAPACITORS
 - NO BOUCHEROT CELLS
 - INTERNALLY FIXED GAIN (30dB)
 - NO SVR CAPACITOR
- ST.-BY FUNCTION (CMOS COMPATIBLE)
- PROGRAMMABLE TURN-ON/OFF DELAY
- NO AUDIBLE POP DURING MUTE AND ST-BY OPERATIONS

PROTECTIONS:

- SHORT CIRCUIT (TO GND, TO V_s , ACROSS THE LOAD)
- VERY INDUCTIVE LOADS
- CHIP OVERTEMPERATURE
- LOAD DUMP
- OPEN GND



- ESD

DESCRIPTION

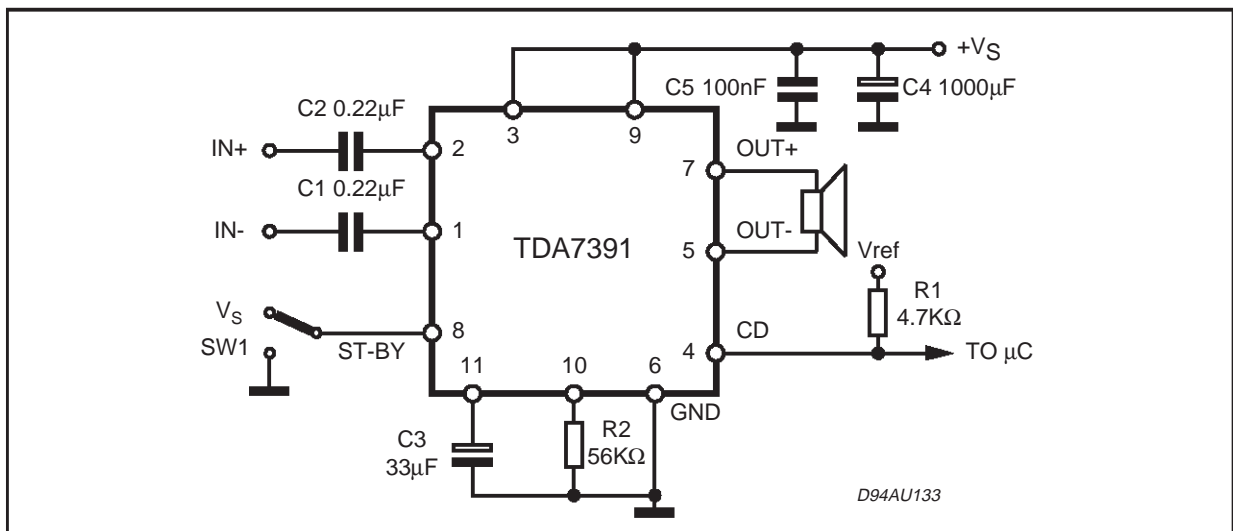
The TDA7391 is a BRIDGE class AB audio power amplifier specially intended for car radio High Power applications.

The high power capability together with the possibility to operate either in DIFFERENTIAL INPUT MODE or SINGLE ENDED INPUT MODE makes it suitable for boosters and high end car radio equipments.

The exclusive fully complementary output stage and the internal fixed gain configuration drop the external component count.

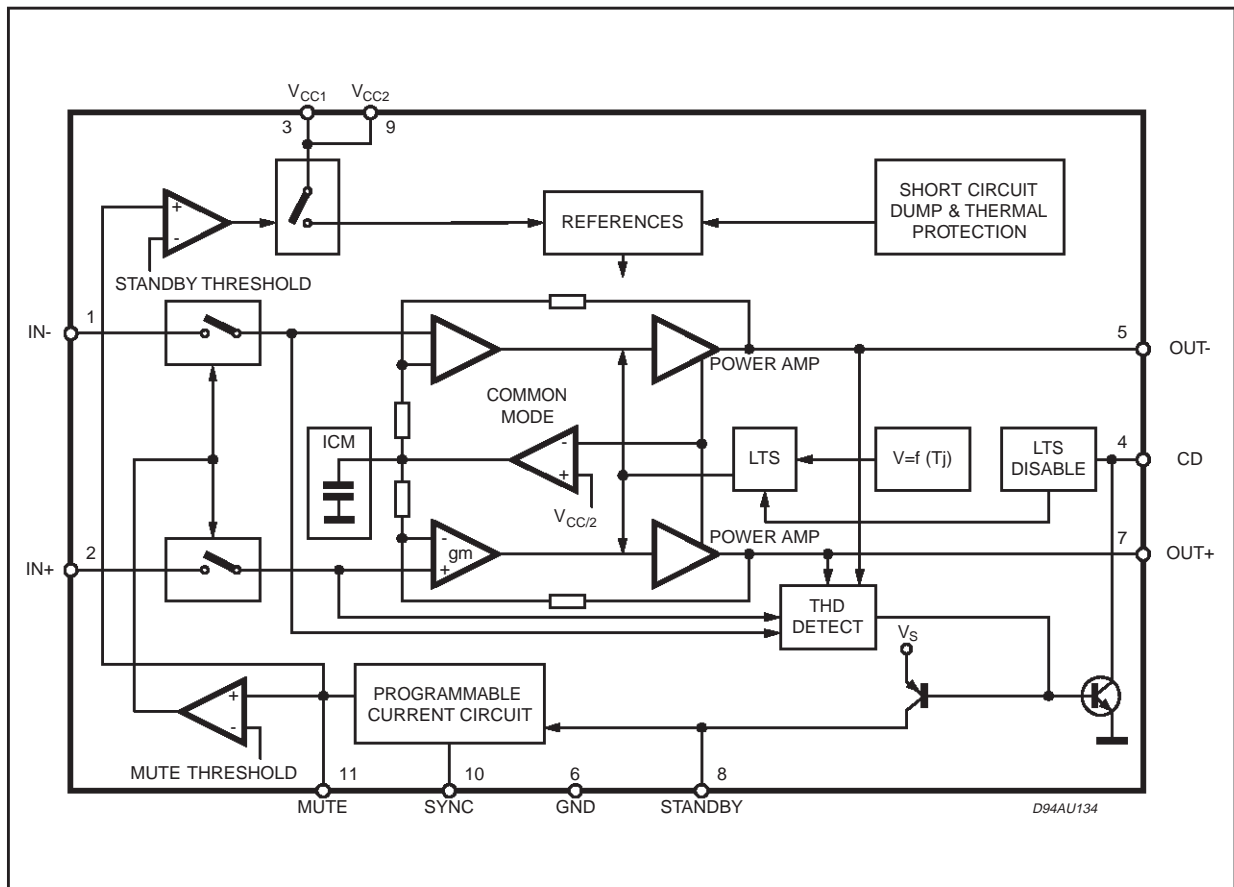
The on board clipping detector allows easy implementation of gain compression systems.

Figure 1: Test And Application Circuit

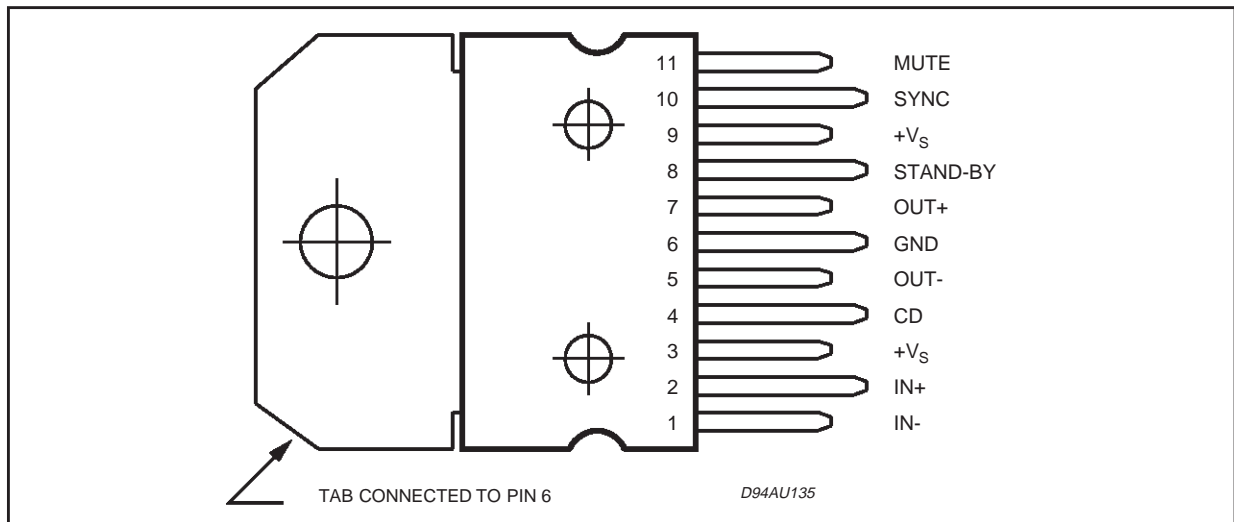


TDA7391

Figure 2: Block Diagram



PIN CONNECTION (Top view)



THERMAL DATA

Symbol	Description	Value	Unit
$R_{th\ j-case}$	Thermal Resistance Junction-case	Max	1.8 °C/W

ABSOLUTE MAXIMUM RATINGS

Symbol	Parameter	Value	Unit
V_S	DC Supply Voltage	28	V
V_{OP}	Operating Supply Voltage	18	V
V_{PEAK}	Peak Supply Voltage (t = 50ms)	50	V
I_O	Output Peak Current repetitive (f > 10Hz)	4.5	A
	Output Peak Current non repetitive	6	A
P_{tot}	Power Dissipation ($T_{CASE} = 85^\circ\text{C}$)	43	W
T_{stg}, T_j	Storage and Junction-Case Temperature	-40 to 150	$^\circ\text{C}$

ELECTRICAL CHARACTERISTICS ($V_S = 14.4\text{V}$; $R_L = 4\Omega$, $f = 1\text{KHz}$, $T_{amb} = 25^\circ\text{C}$, unless otherwise specified)

Symbol	Parameter	Test Condition	Min.	Typ.	Max.	Unit
V_S	Supply Voltage Range		8		18	V
I_q	Total Quiescent Current			60	150	mA
V_{OS}	Output Offset Voltage				120	mV
I_{SB}	ST-BY Current	$V_{ST-BY} = 1.5\text{V}$			100	μA
I_{SBin}	ST-BY Input Bias Current	$V_{ST-BY} = 5\text{V}$			10	μA
V_{SBon}	ST-BY On Threshold Voltage				1.5	V
V_{SBoff}	ST-BY Off threshold Voltage		3.5			V
ATT_{ST-BY}	ST-BY Attenuation			90		dB
$I_{M in}$	Mute Input Bias Current	($V_{MUTE} = 5\text{V}$)			10	μA
A_M	Mute Attenuation			90		dB
P_O	Output Power	d = 10% d = 1% d = 10%; $R_L = 3.2\Omega$	20	26 21 32		W W W
$P_{O EIAJ}$	EIAJ Output Power (*)	$V_S = 13.7\text{V}$; $R_L = 3.2\Omega$		40		W
$P_{O MAX}$	MAX Output Power (*)	$V_S = 14.4\text{V}$; $R_L = 3.2\Omega$		45		W
d	Distortion	$P_O = 0.1$ to 15W		0.06 0.03		% %
G_V	Voltage Gain		29.5	30	30.5	dB
f_H	High Frequency rolloff	$P_O = 1\text{W}$; -3dB	75			KHz
R_{IN}	Input Impedance	Differential	36	60		$\text{K}\Omega$
		Single Ended	30	55		$\text{K}\Omega$
E_{IN}	Input Noise Voltage	$R_g = 0\Omega$; $f = 22\text{Hz}$ to 22KHz		4		mV
CMRR	Input Common Mode Rejection	$f = 1\text{KHz}$; $V_{IN} = 1\text{Vrms}$		65		dB
SVR	Supply Voltage Rejection	$R_g = 0\Omega$; $V_r = 1\text{Vrms}$		60		dB
CDL	Clipping Detection Level		5	10	15	%
T_{sd}	Absolute Thermal Shutdown Junction Temperature			160		$^\circ\text{C}$

(*) Saturated square wave output.

TDA7391

FUNCTIONAL DESCRIPTION

Pin	Function	Description
1, 2	INPUTS	The input stage is a high impedance type also capable of operation in single ended mode with one input capacitively coupled to the signal GND. The impedance seen by the inverting and non inverting input pins must be matched.
3,9	+V _S	Supply Voltage.
4	CD	The TDA7391 is equipped with a diagnostic circuitry able to detect the clipping in the Output Signal (distortion = 10%). The CD pin (open collector) gives out low level signal during clipping.
5, 7	OUTPUTS	The output stage is a bridge type able to drive loads as low as 3.2Ω. It consists of two class AB fully complementary PNP/NPN stages fully protected. A rail to rail output voltage swing is achieved without need of bootstrap capacitors. No external compensation is necessary.
6	GND	Ground.
8	STAND-BY	The device features a ST-BY function which shuts down all the internal bias supplies when the ST-BY pin is low. In ST-BY mode the amplifier sinks a small current (in the range of few μA). When the ST-BY pin is high the IC becomes fully operational.
10	SYNC	A resistor (R ₂) has to be connect between pin 10 and GND in order to program the current that flows in the C ₃ capacitor (pin 11). The values of C ₃ and R ₂ determine the time required to bias the amplifier.
11	MUTE	The pin will have a capacitor (C ₃) tied to GND to set the MUTE/STAND-BY time. An automatic Mute during turn on/off is provided to prevent noisy transients.

Figure 3: P.C. Board and Component Layout of the Fig. 1 (1:1 scale).

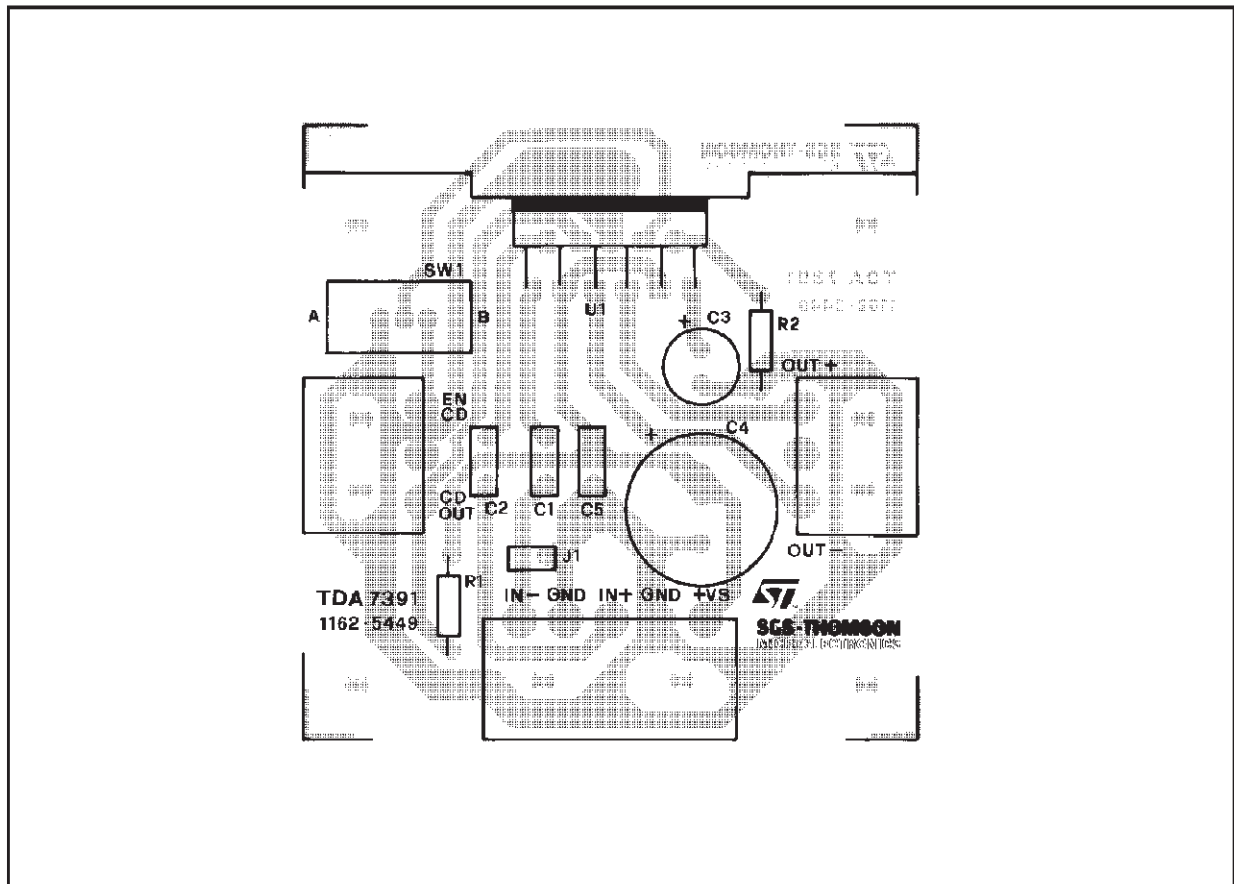


Figure 4: Quiescent Current vs Supply Voltage

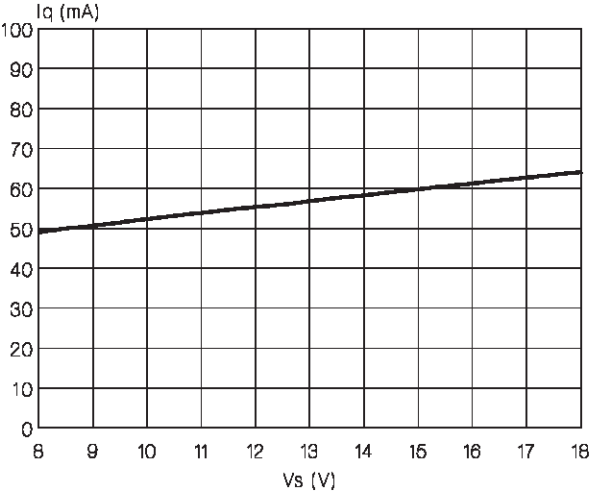


Figure 5: EIAJ power vs Supply Voltage

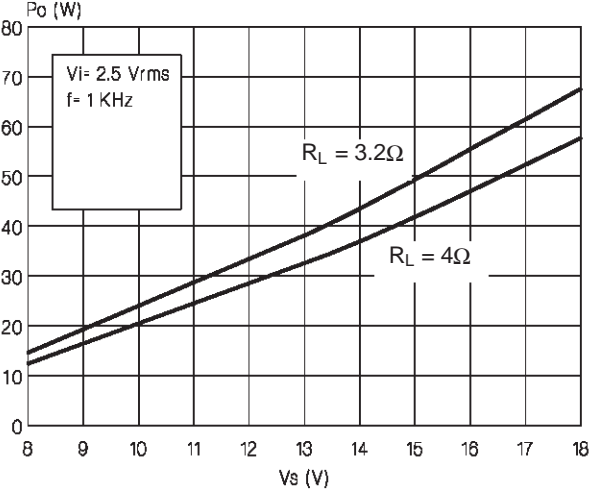


Figure 6: Output Power vs Supply Voltage (@ $R_L = 4\Omega$)

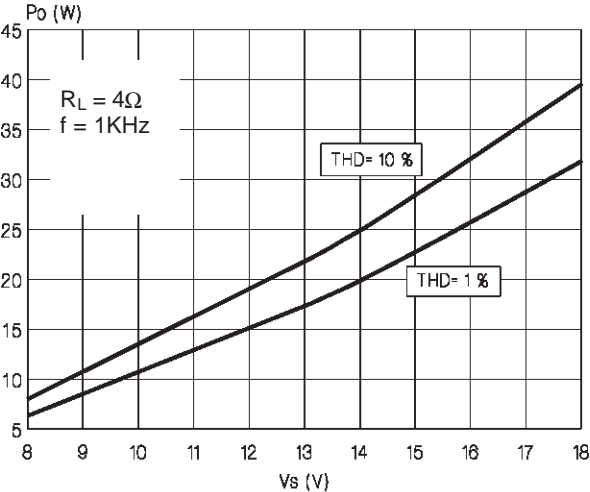


Figure 7: Distortion vs Frequency (@ $R_L = 4\Omega$)

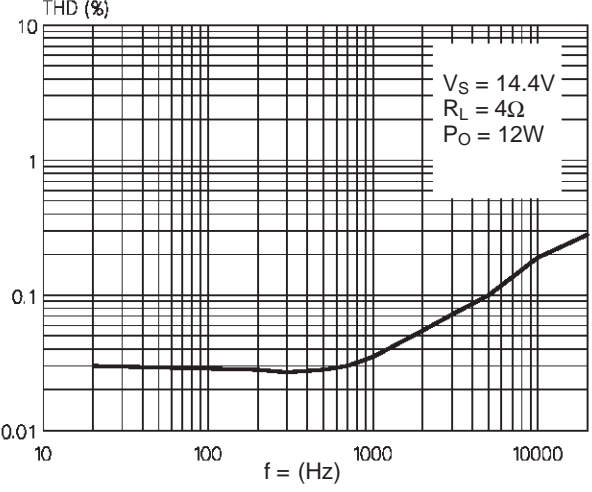


Figure 8: Output Power vs Supply Voltage (@ $R_L = 3.2\Omega$)

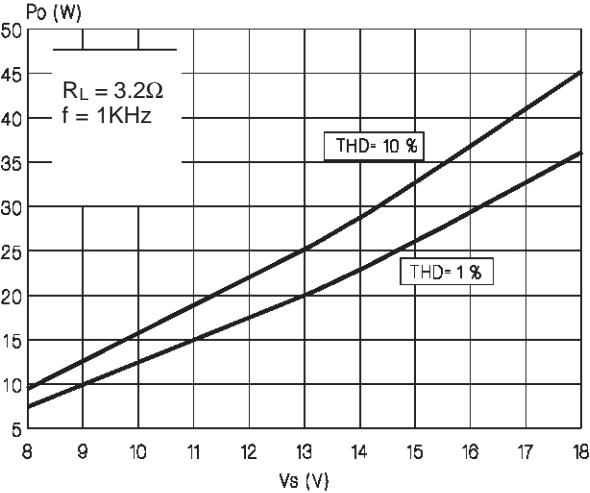


Figure 9: Distortion vs Frequency ($R_L = 4\Omega$)

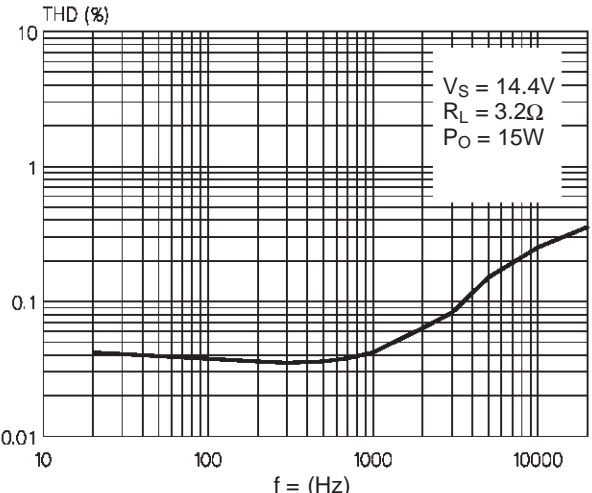


Figure 10: Supply Voltage Rejection vs Frequency

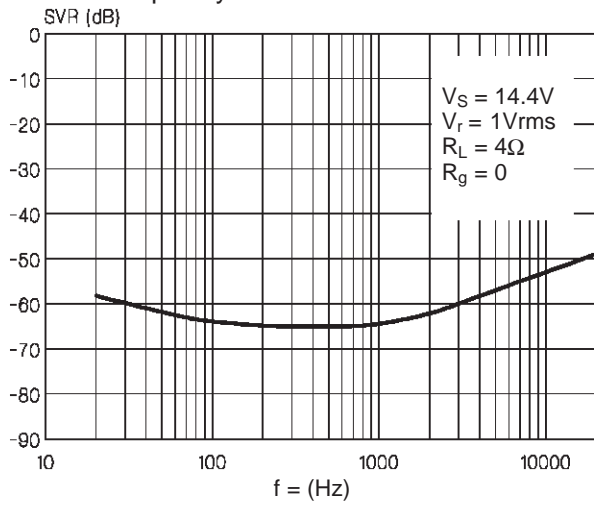


Figure 11: Common Mode Rejection vs. Frequency

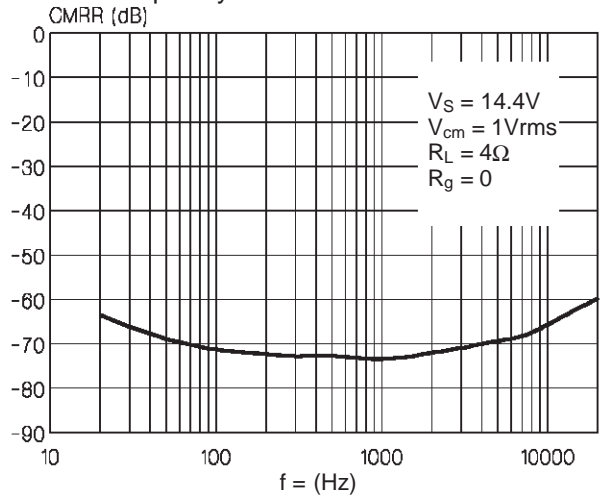


Figure 12: Total Power Dissipation & Efficiency vs. Output Power (@ $R_L = 4\Omega$)

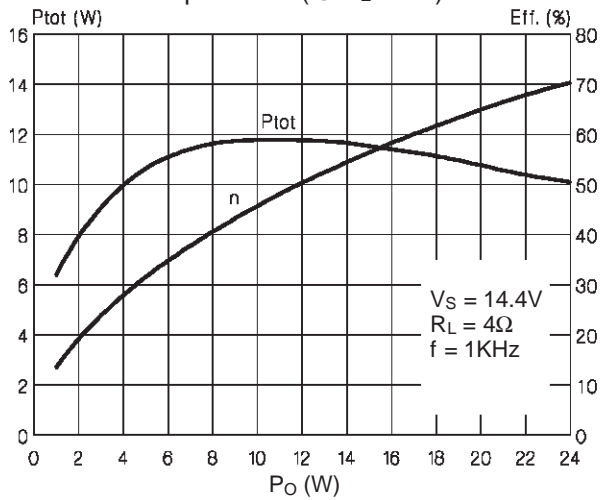
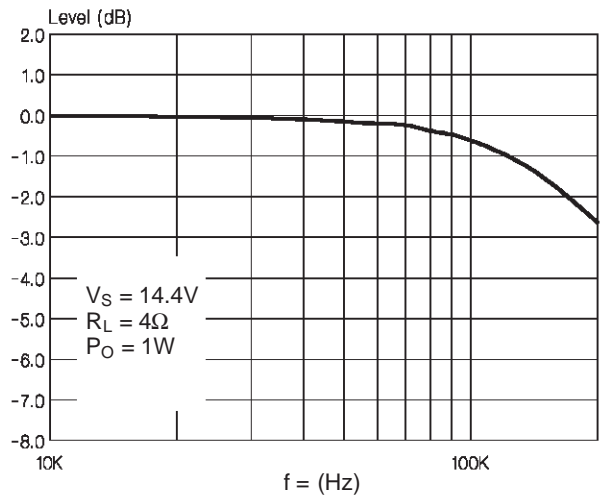
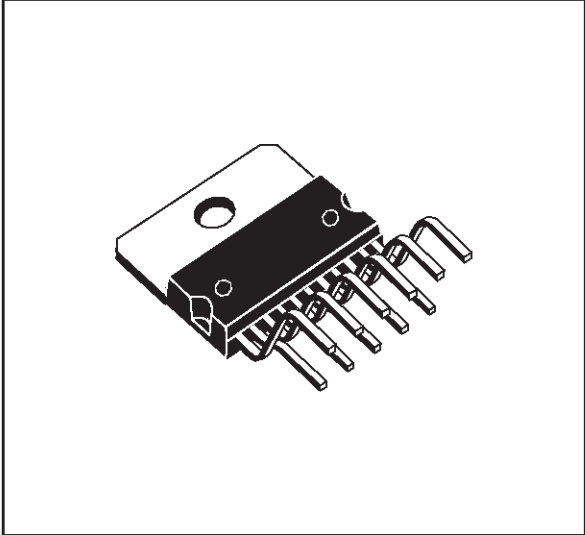


Figure 13: Power Bandwidth

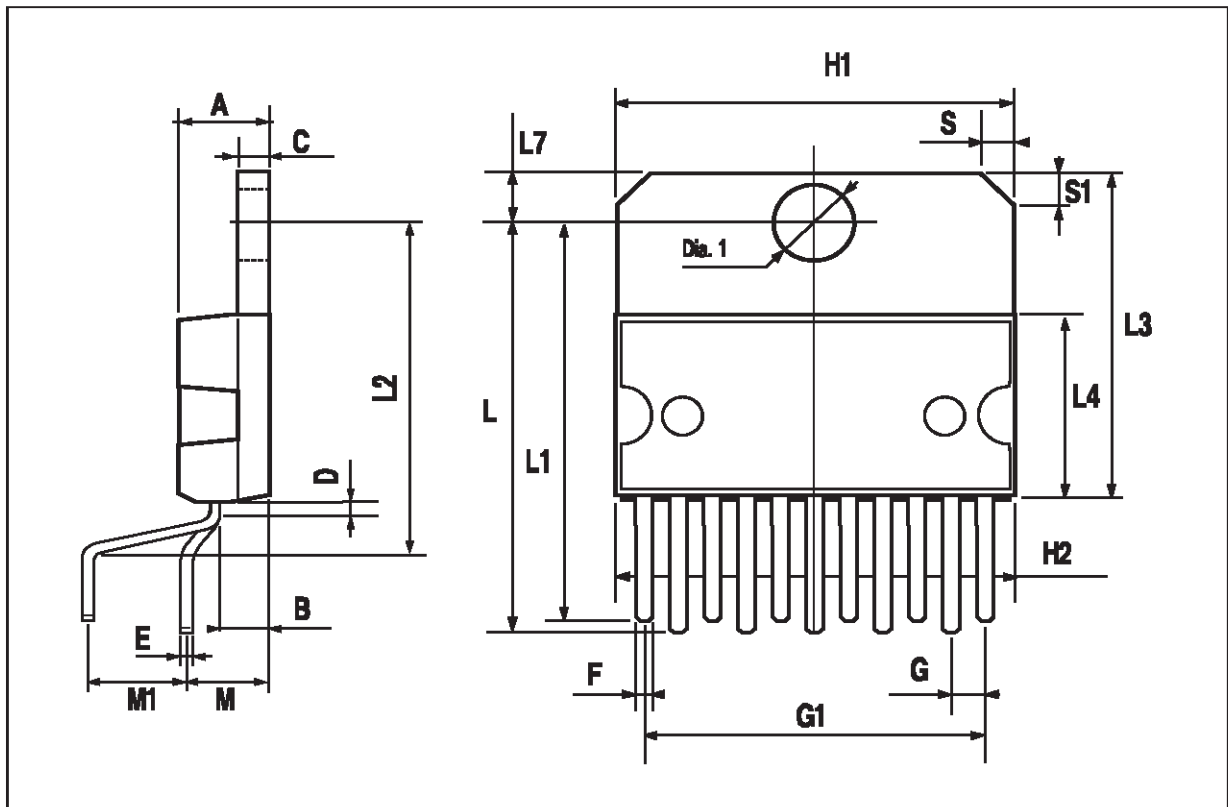


DIM.	mm			inch		
	MIN.	TYP.	MAX.	MIN.	TYP.	MAX.
A			5			0.197
B			2.65			0.104
C			1.6			0.063
D		1			0.039	
E	0.49		0.55	0.019		0.022
F	0.88		0.95	0.035		0.037
G	1.45	1.7	1.95	0.057	0.067	0.077
G1	16.75	17	17.25	0.659	0.669	0.679
H1	19.6			0.772		
H2			20.2			0.795
L	21.9	22.2	22.5	0.862	0.874	0.886
L1	21.7	22.1	22.5	0.854	0.87	0.886
L2	17.4		18.1	0.685		0.713
L3	17.25	17.5	17.75	0.679	0.689	0.699
L4	10.3	10.7	10.9	0.406	0.421	0.429
L7	2.65		2.9	0.104		0.114
M	4.25	4.55	4.85	0.167	0.179	0.191
M1	4.73	5.08	5.43	0.186	0.200	0.214
S	1.9		2.6	0.075		0.102
S1	1.9		2.6	0.075		0.102
Dia1	3.65		3.85	0.144		0.152

OUTLINE AND MECHANICAL DATA



Multiwatt11 V



Information furnished is believed to be accurate and reliable. However, STMicroelectronics assumes no responsibility for the consequences of use of such information nor for any infringement of patents or other rights of third parties which may result from its use. No license is granted by implication or otherwise under any patent or patent rights of STMicroelectronics. Specification mentioned in this publication are subject to change without notice. This publication supersedes and replaces all information previously supplied. STMicroelectronics products are not authorized for use as critical components in life support devices or systems without express written approval of STMicroelectronics.

The ST logo is a registered trademark of STMicroelectronics

© 1998 STMicroelectronics – Printed in Italy – All Rights Reserved

MULTIWATT® is a Registered Trademark of SGS-THOMSON Microelectronics

STMicroelectronics GROUP OF COMPANIES

Australia - Brazil - Canada - China - France - Germany - Italy - Japan - Korea - Malaysia - Malta - Mexico - Morocco - The Netherlands - Singapore - Spain - Sweden - Switzerland - Taiwan - Thailand - United Kingdom - U.S.A.

<http://www.st.com>