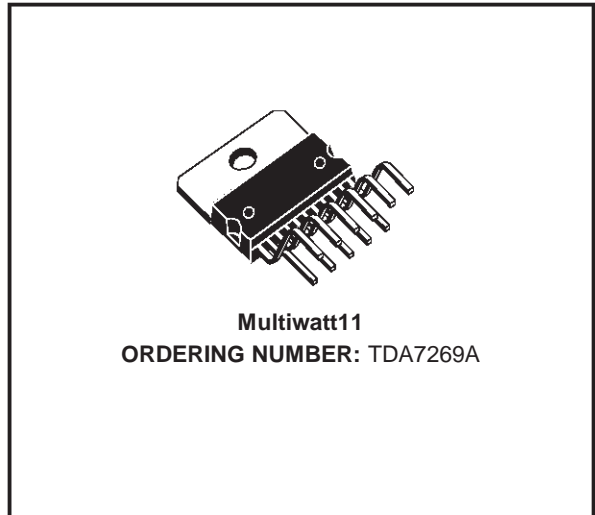


## 14 + 14W STEREO AMPLIFIER WITH MUTE & ST-BY

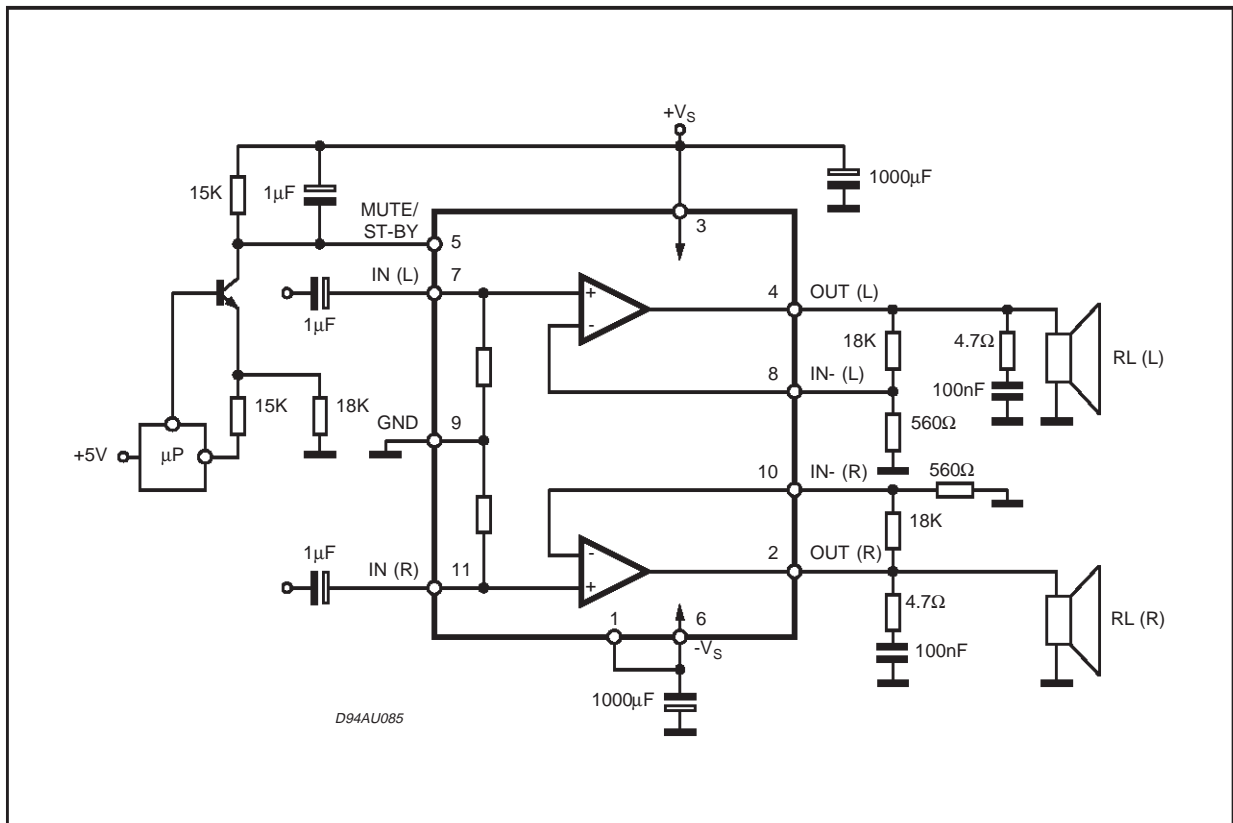
- WIDE SUPPLY VOLTAGE RANGE UP TO  $\pm 20V$
- SPLIT SUPPLY
- HIGH OUTPUT POWER  
14 + 14W @ THD=10%,  $R_L = 8\Omega$ ,  $V_S = \pm 16V$
- NO POP AT TURN-ON/OFF
- MUTE (POP FREE)
- STAND-BY FEATURE (LOW  $I_q$ )
- SHORT CIRCUIT PROTECTION TO GND
- THERMAL OVERLOAD PROTECTION



### DESCRIPTION

The TDA7269A is class AB dual Audio power amplifier assembled in the Multiwatt package, specially designed for high quality sound application as Hi-Fi music centers and stereo TV sets.

**Figure 1:** Typical Application Circuit

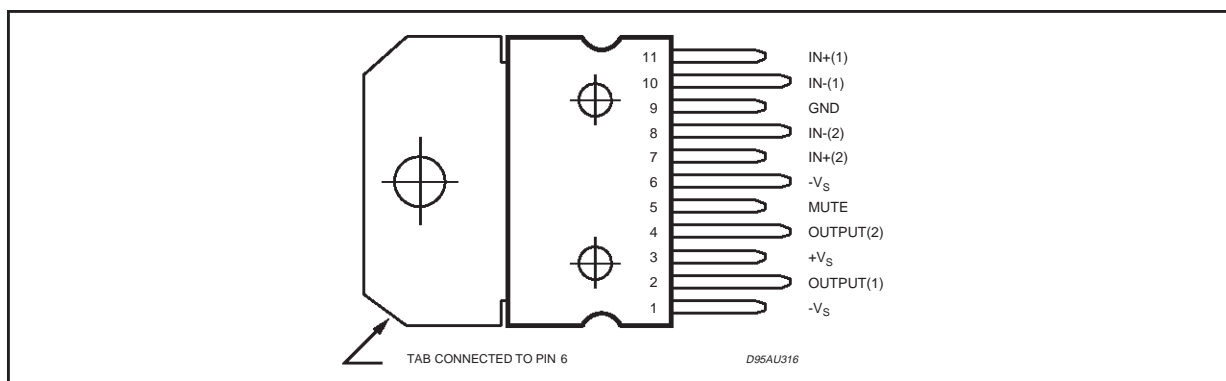


# TDA7269A

## ABSOLUTE MAXIMUM RATINGS

Symbol	Parameter	Value	Unit
$V_S$	DC Supply Voltage	$\pm 22$	V
$I_O$	Output Peak Current (internally limited)	3	A
$P_{tot}$	Power Dissipation $T_{case} = 70^\circ\text{C}$	40	W
$T_{op}$	Operating Temperature	0 to 70	$^\circ\text{C}$
$T_{stg}, T_j$	Storage and Junction Temperature	-40 to +150	$^\circ\text{C}$

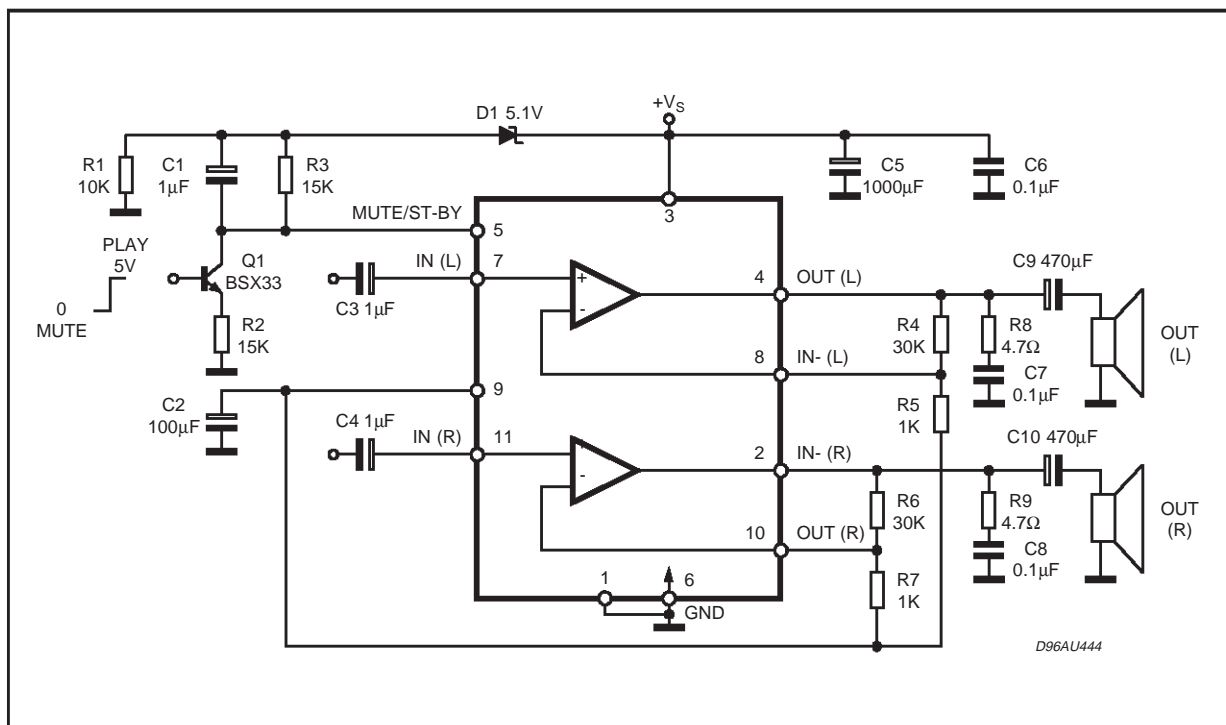
## PIN CONNECTION (Top view)



## THERMAL DATA

Symbol	Description	Value	Unit
$R_{th\ j-case}$	Thermal Resistance Junction-case	Max 2.8	$^\circ\text{C/W}$

## SINGLE SUPPLY APPLICATION



**ELECTRICAL CHARACTERISTICS** (Refer to the test circuit,  $V_S = \pm 16V$ ;  $R_L = 8\Omega$ ;  $R_S = 50\Omega$ ;  $G_V = 30dB$ ;  $f = 1KHz$ ;  $T_{amb} = 25^\circ C$ , unless otherwise specified.)

Symbol	Parameter	Test Condition	Min.	Typ.	Max.	Unit
$V_S$	Supply Range	$R_L = 8\Omega$ ;	$\pm 5$		$\pm 20$	V
		$R_L = 4\Omega$ ;	$\pm 5$		$\pm 15$	V
$I_q$	Total Quiescent Current			60	100	mA
$V_{OS}$	Input Offset Voltage		-25		+25	mV
$I_b$	Non Inverting Input Bias Current			500		nA
$P_O$	Output Power	THD = 10% $R_L = 8\Omega$ ; $V_S \pm 12.5V$ ; $R_L = 4\Omega$	12 8	14 10		W W
		THD = 1% $R_L = 8\Omega$ ; $V_S \pm 12.5V$ ; $R_L = 4\Omega$	9 6	11 7.5		W W
THD	Total Harmonic Distortion	$R_L = 8\Omega$ ; $P_O = 1W$ ; $f = 1KHz$		0.03		%
		$R_L = 8\Omega$ ; $P_O = 0.1$ to $7W$ ; $f = 100Hz$ to $15KHz$			0.7	%
		$R_L = 4\Omega$ ; $P_O = 1W$ ; $f = 1KHz$		0.02		%
		$R_L = 4\Omega$ ; $V_S \pm 10V$ ; $P_O = 0.1$ to $5W$ ; $f = 100Hz$ to $15KHz$			1	%
$C_T$	Cross Talk	$f = 1KHz$		70		dB
		$f = 10KHz$	50	60		dB
SR	Slew Rate		6.5	10		V/ $\mu s$
$G_{OL}$	Open Loop Voltage Gain			80		dB
$e_N$	Total Input Noise	A Curve $f = 20Hz$ to $22KHz$		3 4	8	$\mu V$ $\mu V$
$R_i$	Input Resistance		15	20		K $\Omega$
SVR	Supply Voltage Rejection (each channel)	$f_r = 100Hz$ $V_r = 0.5V$		60		dB
$T_j$	Thermal Shut-down Junction Temperature			145		$^\circ C$
<b>MUTE FUNCTION [ref: +Vs] (*)</b>						
$V_{TMUTE}$	Mute / Play Threshold		-7	-6	-5	V
$A_M$	Mute Attenuation		60	70		dB
<b>STAND-BY FUNCTION [ref: +Vs] (Only for Split Supply)</b>						
$V_{TST-BY}$	Stand-by / Mute Threshold		-3.5	-2.5	-1.5	V
$A_{ST-BY}$	Stand-by Attenuation			110		dB
$I_{qST-BY}$	Quiescent Current @ Stand-by			3	6	mA

(\*) In mute condition the current drawn from pin 5 must be  $\leq 650\mu A$ .

**MUTE STAND-BY FUNCTION**

The pin 5 (MUTE/STAND-BY) controls the amplifier status by two different thresholds, referred to  $+V_s$ .

- When  $V_{pin5}$  higher than  $+V_s - 2.5V$  the amplifier is in Stand-by mode and the final stage generators are off

- when  $V_{pin5}$  is between  $+V_s - 2.5V$  and  $+V_s - 6V$  the final stage current generators are switched on and the amplifier is in mute mode
- when  $V_{pin5}$  is lower than  $+V_s - 6V$  the amplifier is play mode.

Figure 2

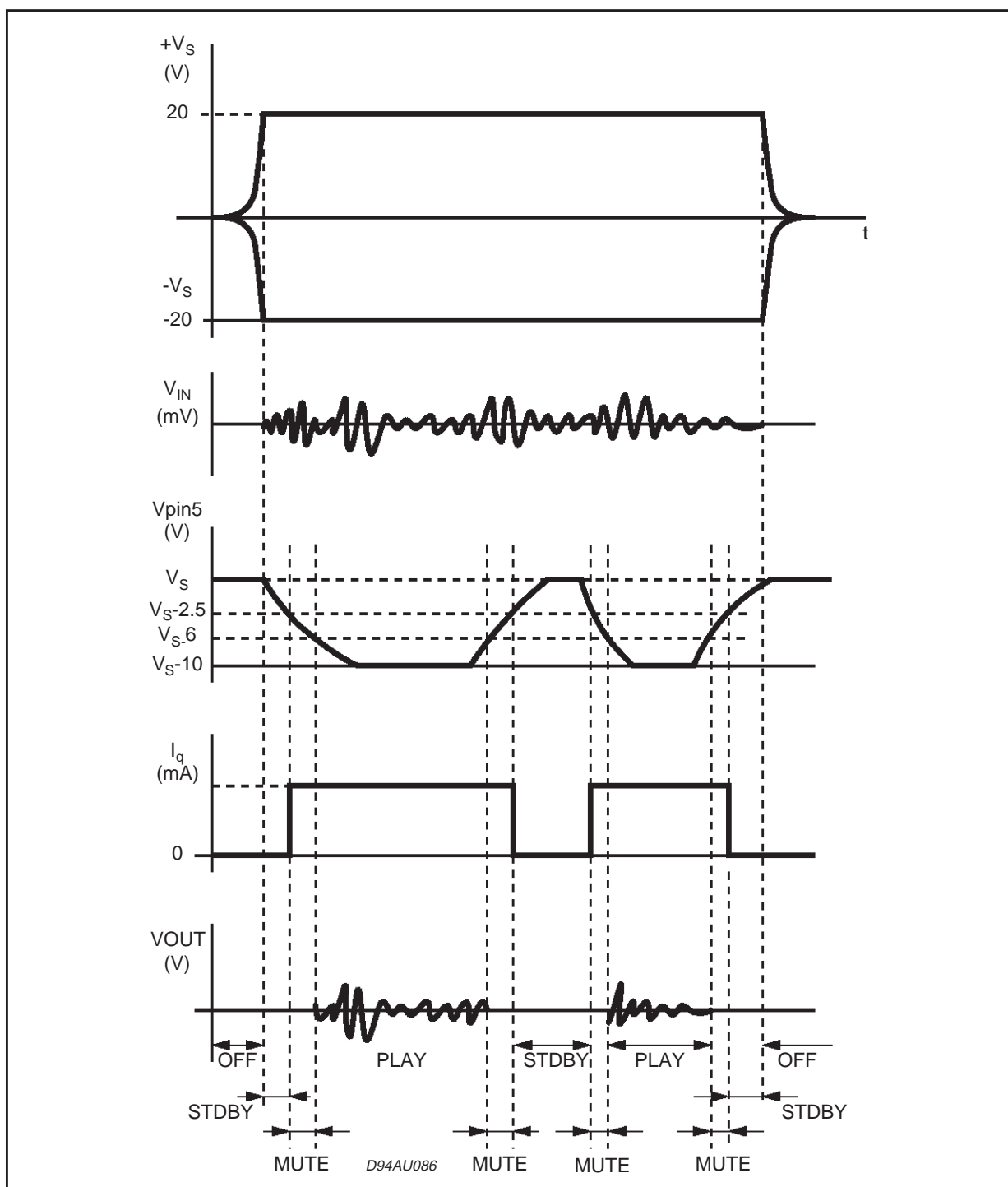
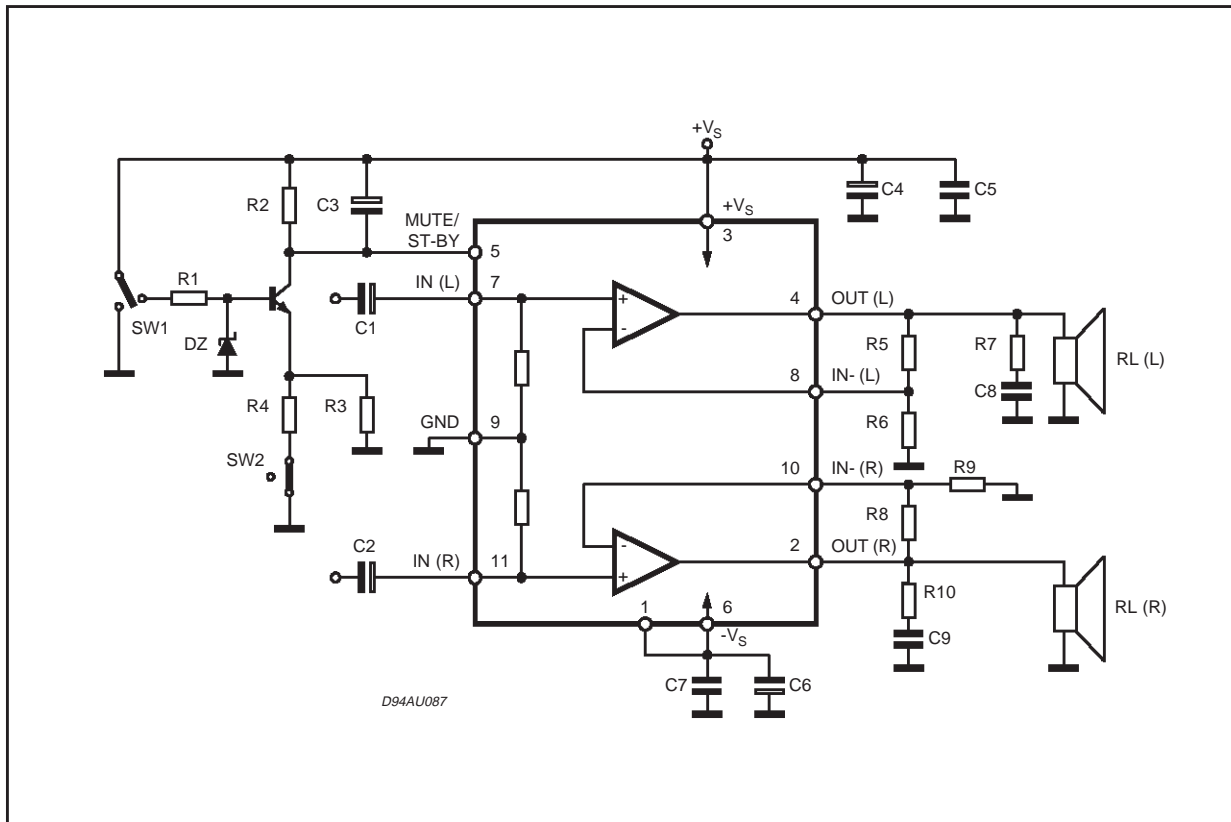


Figure 3: Test and Application Circuit (Stereo Configuration)



**APPLICATIONS SUGGESTION**  
(Demo Board Schematic)

The recommended values of the external compo-

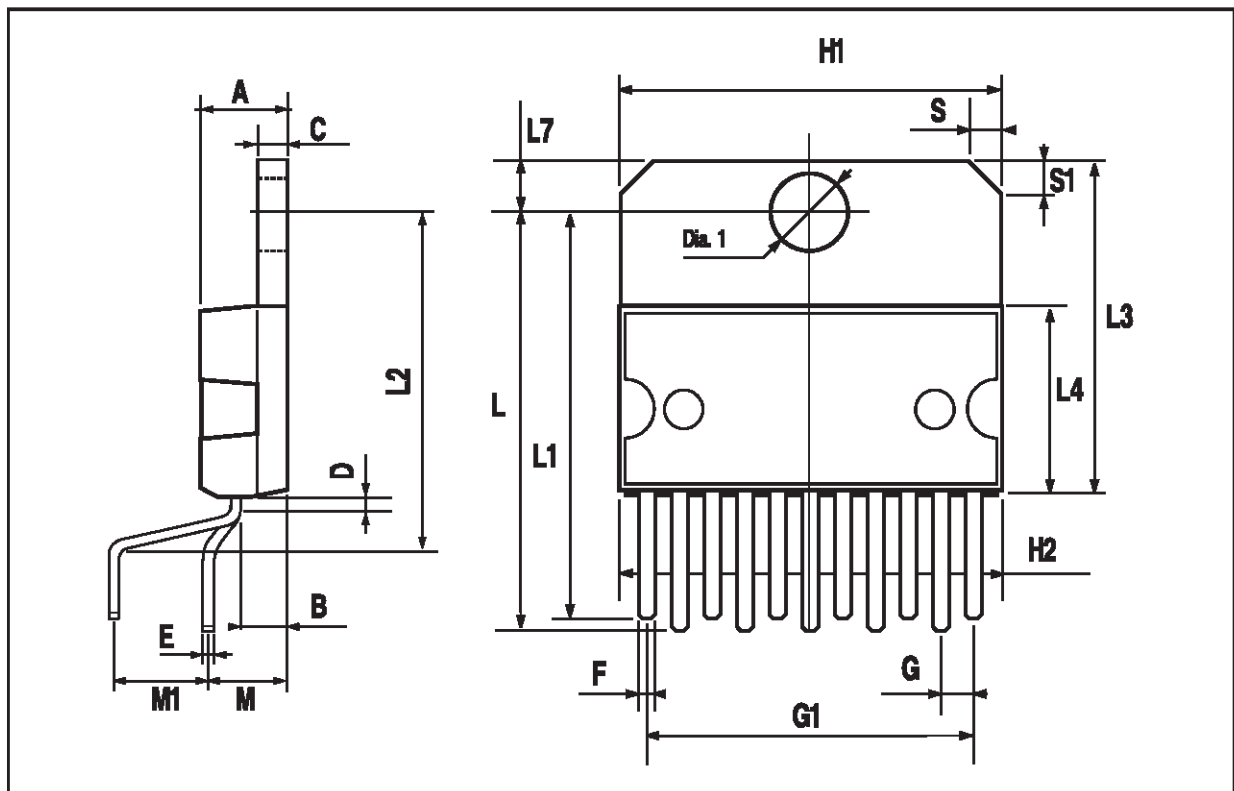
nents are those shown are the demo board schematic different values can be used: the following table can help the designer.

COMPONENTS	RECOMMENDED VALUE	PURPOSE	LARGER THAN RECOMMENDED VALUE	SMALLER THAN RECOMMENDED VALUE
R1	10KΩ	Mute Circuit	Increase of Dz Biasing Current	
R2	15KΩ	Mute Circuit	V <sub>pin # 5</sub> Shifted Downward	V <sub>pin # 5</sub> Shifted Upward
R3	18KΩ	Mute Circuit	V <sub>pin # 5</sub> Shifted Upward	V <sub>pin # 5</sub> Shifted Downward
R4	15KΩ	Mute Circuit	V <sub>pin # 5</sub> Shifted Upward	V <sub>pin # 5</sub> Shifted Downward
R5, R8	18KΩ	Closed Loop Gain Setting (*)	Increase of Gain	
R6, R9	560Ω		Decrease of Gain	
R7, R10	4.7Ω	Frequency Stability	Danger of Oscillations	Danger of Oscillations
C1, C2	1μF	Input DC Decoupling		Higher Low Frequency Cutoff
C3	1μF	St-By/Mute Time Constant	Larger On/Off Time	Smaller On/Off Time
C4, C6	1000μF	Supply Voltage Bypass		Danger of Oscillations
C5, C7	0.1μF	Supply Voltage Bypass		Danger of Oscillations
C8, C9	0.1μF	Frequency Stability		
Dz	5.1V	Mute Circuit		

(\*) Closed loop gain has to be => 25dB

MULTIWATT11 PACKAGE MECHANICAL DATA

DIM.	mm			inch		
	MIN.	TYP.	MAX.	MIN.	TYP.	MAX.
A			5			0.197
B			2.65			0.104
C			1.6			0.063
D		1			0.039	
E	0.49		0.55	0.019		0.022
F	0.88		0.95	0.035		0.037
G	1.57	1.7	1.83	0.062	0.067	0.072
G1	16.87	17	17.13	0.664	0.669	0.674
H1	19.6			0.772		
H2			20.2			0.795
L	21.5		22.3	0.846		0.878
L1	21.4		22.2	0.843		0.874
L2	17.4		18.1	0.685		0.713
L3	17.25	17.5	17.75	0.679	0.689	0.699
L4	10.3	10.7	10.9	0.406	0.421	0.429
L7	2.65		2.9	0.104		0.114
M	4.1	4.3	4.5	0.161	0.169	0.177
M1	4.88	5.08	5.3	0.192	0.200	0.209
S	1.9		2.6	0.075		0.102
S1	1.9		2.6	0.075		0.102
Dia1	3.65		3.85	0.144		0.152



Information furnished is believed to be accurate and reliable. However, STMicroelectronics assumes no responsibility for the consequences of use of such information nor for any infringement of patents or other rights of third parties which may result from its use. No license is granted by implication or otherwise under any patent or patent rights of STMicroelectronics. Specification mentioned in this publication are subject to change without notice. This publication supersedes and replaces all information previously supplied. STMicroelectronics products are not authorized for use as critical components in life support devices or systems without express written approval of STMicroelectronics.

The ST logo is a registered trademark of STMicroelectronics  
© 1998 STMicroelectronics – Printed in Italy – All Rights Reserved  
STMicroelectronics GROUP OF COMPANIES

Australia - Brazil - Canada - China - France - Germany - Italy - Japan - Korea - Malaysia - Malta - Mexico - Morocco - The Netherlands -  
Singapore - Spain - Sweden - Switzerland - Taiwan - Thailand - United Kingdom - U.S.A.