

To all our customers

---

## **Regarding the change of names mentioned in the document, such as Hitachi Electric and Hitachi XX, to Renesas Technology Corp.**

---

The semiconductor operations of Mitsubishi Electric and Hitachi were transferred to Renesas Technology Corporation on April 1st 2003. These operations include microcomputer, logic, analog and discrete devices, and memory chips other than DRAMs (flash memory, SRAMs etc.) Accordingly, although Hitachi, Hitachi, Ltd., Hitachi Semiconductors, and other Hitachi brand names are mentioned in the document, these names have in fact all been changed to Renesas Technology Corp. Thank you for your understanding. Except for our corporate trademark, logo and corporate statement, no changes whatsoever have been made to the contents of the document, and these changes do not constitute any alteration to the contents of the document itself.

Renesas Technology Home Page: <http://www.renesas.com>

Renesas Technology Corp.  
Customer Support Dept.  
April 1, 2003

## Cautions

Keep safety first in your circuit designs!

1. Renesas Technology Corporation puts the maximum effort into making semiconductor products better and more reliable, but there is always the possibility that trouble may occur with them. Trouble with semiconductors may lead to personal injury, fire or property damage.

Remember to give due consideration to safety when making your circuit designs, with appropriate measures such as (i) placement of substitutive, auxiliary circuits, (ii) use of nonflammable material or (iii) prevention against any malfunction or mishap.

Notes regarding these materials

1. These materials are intended as a reference to assist our customers in the selection of the Renesas Technology Corporation product best suited to the customer's application; they do not convey any license under any intellectual property rights, or any other rights, belonging to Renesas Technology Corporation or a third party.
2. Renesas Technology Corporation assumes no responsibility for any damage, or infringement of any third-party's rights, originating in the use of any product data, diagrams, charts, programs, algorithms, or circuit application examples contained in these materials.
3. All information contained in these materials, including product data, diagrams, charts, programs and algorithms represents information on products at the time of publication of these materials, and are subject to change by Renesas Technology Corporation without notice due to product improvements or other reasons. It is therefore recommended that customers contact Renesas Technology Corporation or an authorized Renesas Technology Corporation product distributor for the latest product information before purchasing a product listed herein.  
The information described here may contain technical inaccuracies or typographical errors. Renesas Technology Corporation assumes no responsibility for any damage, liability, or other loss rising from these inaccuracies or errors.  
Please also pay attention to information published by Renesas Technology Corporation by various means, including the Renesas Technology Corporation Semiconductor home page (<http://www.renesas.com>).
4. When using any or all of the information contained in these materials, including product data, diagrams, charts, programs, and algorithms, please be sure to evaluate all information as a total system before making a final decision on the applicability of the information and products. Renesas Technology Corporation assumes no responsibility for any damage, liability or other loss resulting from the information contained herein.
5. Renesas Technology Corporation semiconductors are not designed or manufactured for use in a device or system that is used under circumstances in which human life is potentially at stake. Please contact Renesas Technology Corporation or an authorized Renesas Technology Corporation product distributor when considering the use of a product contained herein for any specific purposes, such as apparatus or systems for transportation, vehicular, medical, aerospace, nuclear, or undersea repeater use.
6. The prior written approval of Renesas Technology Corporation is necessary to reprint or reproduce in whole or in part these materials.
7. If these products or technologies are subject to the Japanese export control restrictions, they must be exported under a license from the Japanese government and cannot be imported into a country other than the approved destination.  
Any diversion or reexport contrary to the export control laws and regulations of Japan and/or the country of destination is prohibited.
8. Please contact Renesas Technology Corporation for further details on these materials or the products contained therein.

# HA17L431/HA17L431A Series

## Shunt Regulator

**RENESAS**

ADE-204-029E (Z)

Rev.5  
Sep. 2002

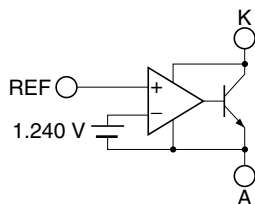
### Description

The HA17L431 series and the HA17L431A series are temperature-compensated variable shunt regulators. These ICs can operate at about half voltage in comparison with HA17431 series. They can be replaced for simple Zener diode and they can also be used for switching power supply secondary-side error amplification circuit.

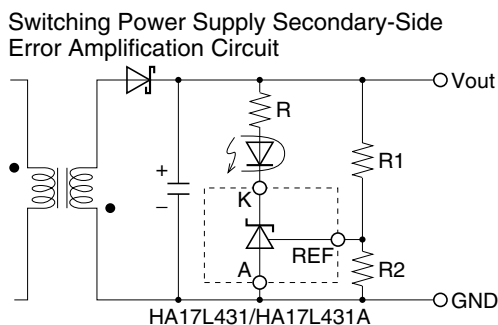
### Features

- On-chip high-precision reference voltage source :  $1.240\text{ V} \pm 1.0\%$  at  $T_a = 25^\circ\text{C}$  (HA17L431A)  
:  $1.240\text{ V} \pm 1.5\%$  at  $T_a = 25^\circ\text{C}$  (HA17L431)
- Small reference voltage temperature coefficient:  $30\text{ ppm}/^\circ\text{C}$  Typ
- Maximum cathode voltage:  $16\text{ V}$
- Maximum cathode current:  $50\text{ mA}$
- Minimum cathode current:  $200\text{ }\mu\text{A}$  Typ
- Operating temperature range:  $-20$  to  $+85^\circ\text{C}$

### Block Diagram



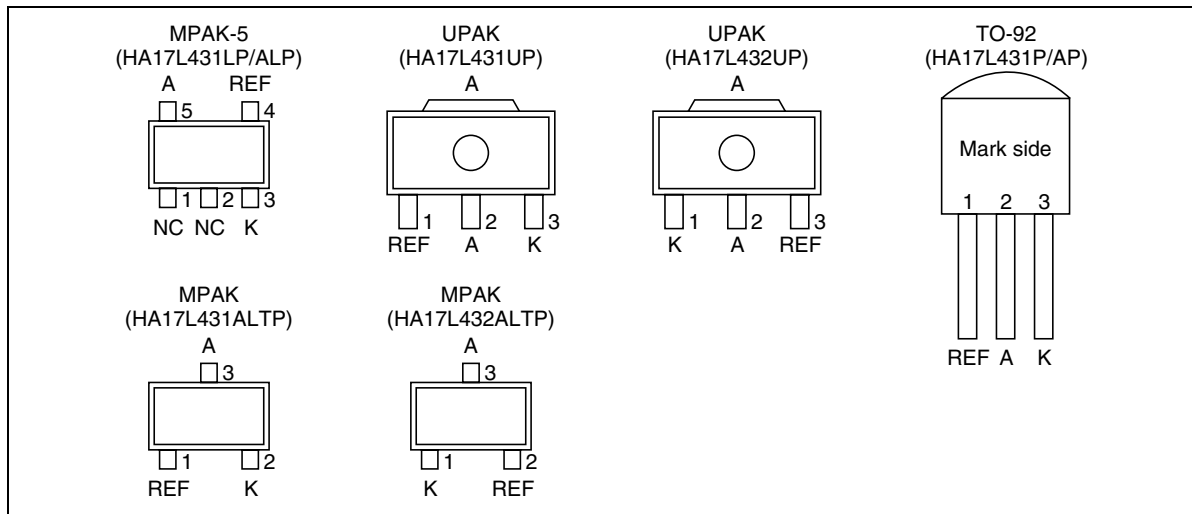
## Application Circuit Example



## Product Lineup

Item	Version		Package	Operating Temperature Range
	A Version	Normal Version		
Reference voltage (at 25°C)	Accuracy	±1.0%	±1.5%	
	Max	1.253V	1.258V	
	Typ	1.240V	1.240V	
	Min	1.227V	1.222V	
Industrial use	HA17L431ALTP		MPAK	-20 to +85°C
	HA17L432ALTP			
	HA17L431ALP		MPAK-5	
	HA17L431LP			
	HA17L431UP		UPAK	
	HA17L432UP			
	HA17L431AP		TO-92	
HA17L431P				

Pin Arrangement



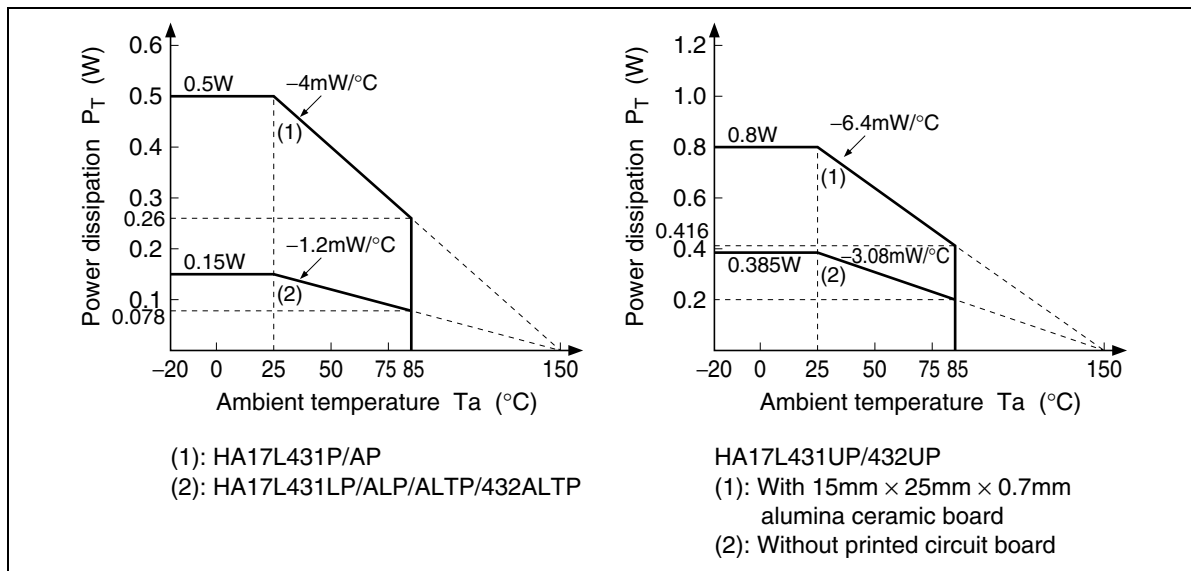
## Absolute Maximum Ratings

( $T_a = 25^\circ\text{C}$ )

Item	Symbol	Rated Value				Unit	Note
		HA17L431LP/ HA17L431ALP	HA17L431P/ HA17L431AP	HA17L431UP/ HA17L432UP	HA17L431ALTP/ HA17L432ALTP		
Cathode voltage	$V_{KA}$	16	16	16	16	V	1
Continuous cathode current	$I_K$	-30 to +50	-30 to +50	-30 to +50	-30 to +50	mA	
Reference input current	$I_{ref}$	-0.05 to +5	-0.05 to +5	-0.05 to +5	-0.05 to +5	mA	
Power dissipation	$P_T$	150	500	800	150	mW	2
Operating temperature	$T_{opr}$	-20 to +85	-20 to +85	-20 to +85	-20 to +85	$^\circ\text{C}$	
Storage temperature	$T_{stg}$	-55 to +150	-55 to +150	-55 to +150	-55 to +150	$^\circ\text{C}$	

Notes: 1. The anode pin is used as the reference for voltage values.

2. These values apply when  $T_a \leq 25^\circ\text{C}$ . If  $T_a \geq 25^\circ\text{C}$ , derate by below figure.

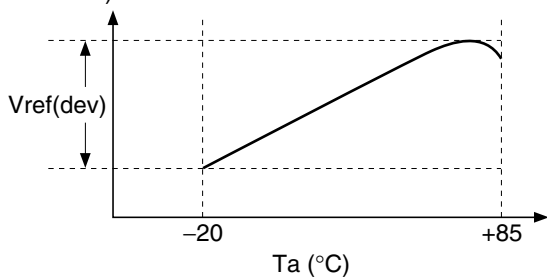


Electrical Characteristics

(Ta = 25°C, I<sub>k</sub> = 10 mA)

Item	Symbol	Min	Typ	Max	Unit	Test Condition	Remark
Reference voltage	Vref	1.222	1.240	1.258	V	V <sub>KA</sub> = Vref	HA17L431
		1.227	1.240	1.253			HA17L431A
Reference voltage deviation	Vref(dev)	—	5	—	mV	V <sub>KA</sub> = Vref, Ta = -20°C to +85°C	*1
Reference voltage temperature coefficient	ΔVref/ΔTa	—	±30	—	ppm/°C	V <sub>KA</sub> = Vref, 0°C to 50°C gradient	
Reference voltage regulation	ΔVref/ΔV <sub>KA</sub>	—	1.0	2.0	mV/V	V <sub>KA</sub> = Vref to 16V	
Reference input current	Iref	—	2	6	μA	R1 = 10 kΩ, R2 = ∞	
Reference current temperature deviation	Iref(dev)	—	0.5	—	μA	R1 = 10 kΩ, R2 = ∞, Ta = -20°C to +85°C	
Minimum cathode current	Imin	—	0.2	1.0	mA	V <sub>KA</sub> = Vref	*2
Off cathode current	Ioff	—	0.001	1.0	μA	V <sub>KA</sub> = 16 V, Vref = 0 V	
Dynamic impedance	Z <sub>KA</sub>	—	0.2	0.5	Ω	V <sub>KA</sub> = Vref, I <sub>k</sub> = 1 mA to 50 mA	

Notes: 1. Vref(dev) = (Vref maximum value at Ta = -20°C to +85°C) - (Vref minimum value at Ta = -20°C to +85°C)



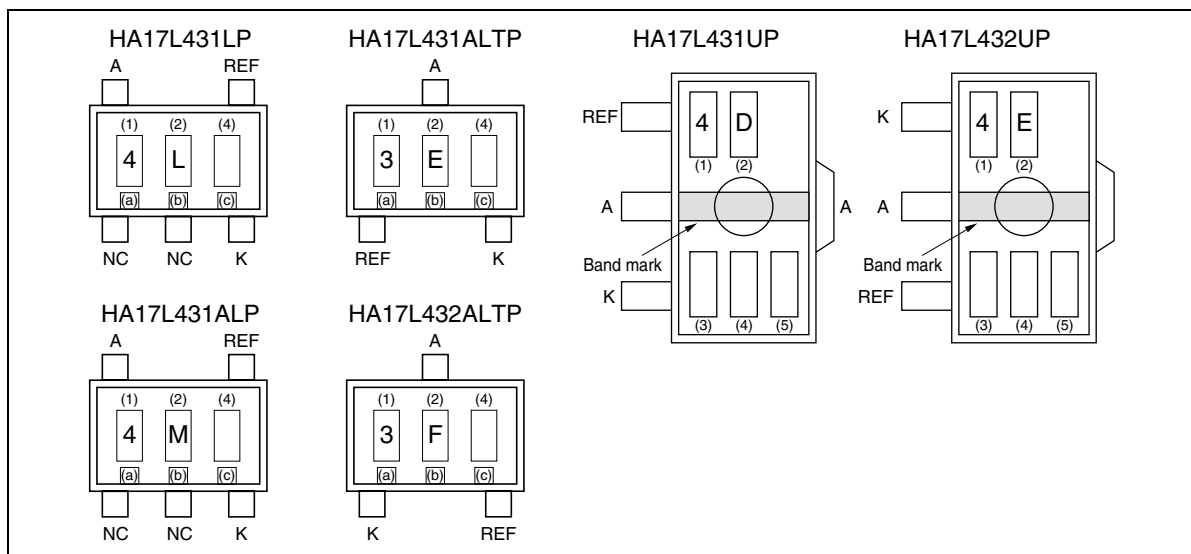
2. Definition of minimum cathode current.

Imin is the cathode current value at which Vref = Vref<sub>(I<sub>k</sub> = 10 mA)</sub> - 15 mV.

# HA17L431/HA17L431A Series

## MPAK-5(5-pin), MPAK(3-pin) and UPAK Marking Patterns

The marking patterns shown below are used on MPAK-5, MPAK and UPAK products. Note that the product code and mark pattern are different. The pattern is laser-printed.



Notes: 1. Boxes (1) to (5) in the figures show the position of the letters or numerals, and are not actually marked on the package.

2. The letters (1) and (2) show the product specific mark pattern.

Product	(1)	(2)
HA17L431LP	4	L
HA17L431ALP	4	M
HA17L431ALTP	3	E
HA17L432ALTP	3	F
HA17L431UP	4	D
HA17L432UP	4	E

3. The letter (3) shows the production year code (the last digit of the year) for UPAK products.

4. The bars (a), (b) and (c) show a production year code for MPAK-5 and MPAK products as shown below. After 2010 the code is repeated every 8 years.

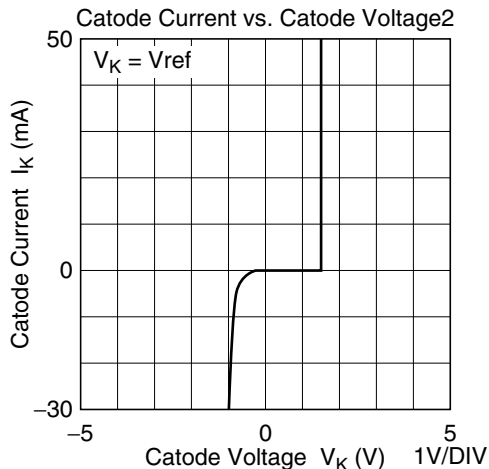
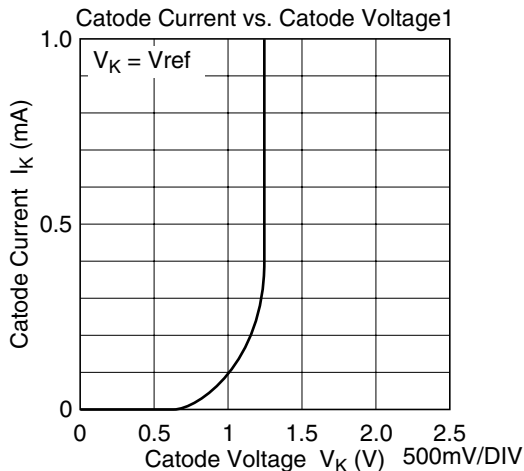
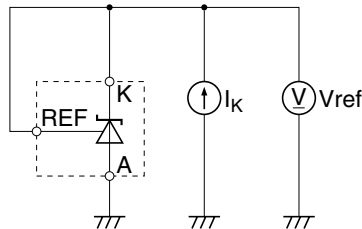
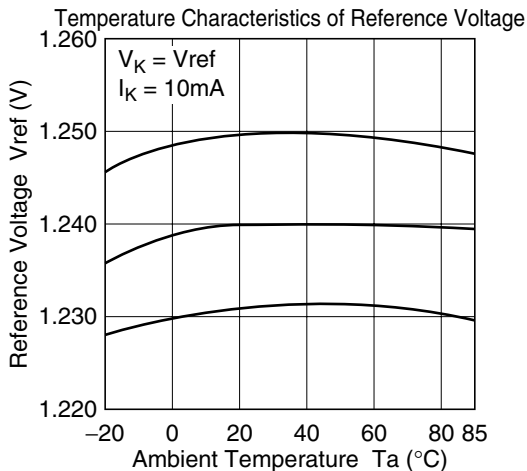
Year	2002	2003	2004	2005	2006	2007	2008	2009
(a)	None	None	None	Bar	Bar	Bar	Bar	None
(b)	None	Bar	Bar	None	None	Bar	Bar	None
(c)	Bar	None	Bar	None	Bar	None	Bar	None

5. The letter (4) shows the production month code (see table below).

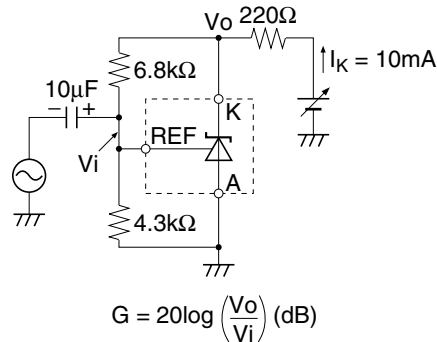
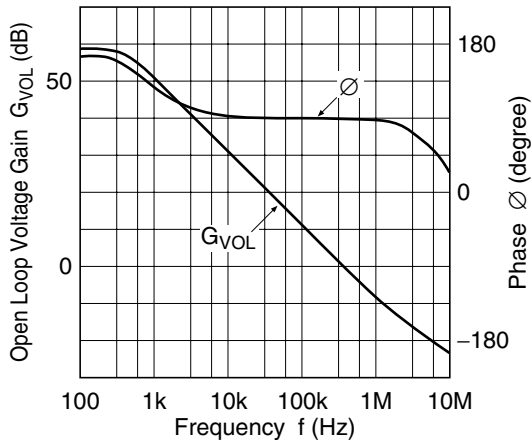
Production month	Jan.	Feb.	Mar.	Apr.	May.	Jun.	Jul.	Aug.	Sep.	Oct.	Nov.	Dec.
Marked code	A	B	C	D	E	F	G	H	J	K	L	M

6. The letter (5) shows manufacturing code. For UPAK products.

Characteristic Curves

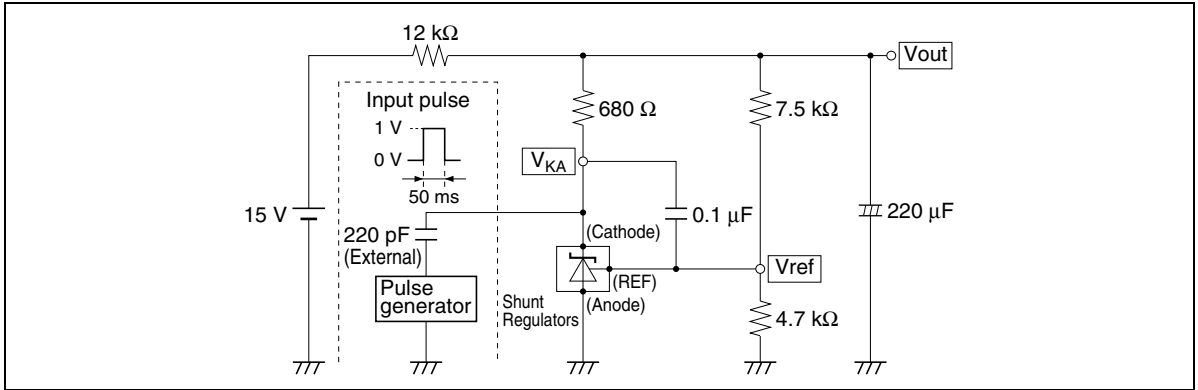


Open Loop Voltage Gain, Phase vs. Frequency Characteristics

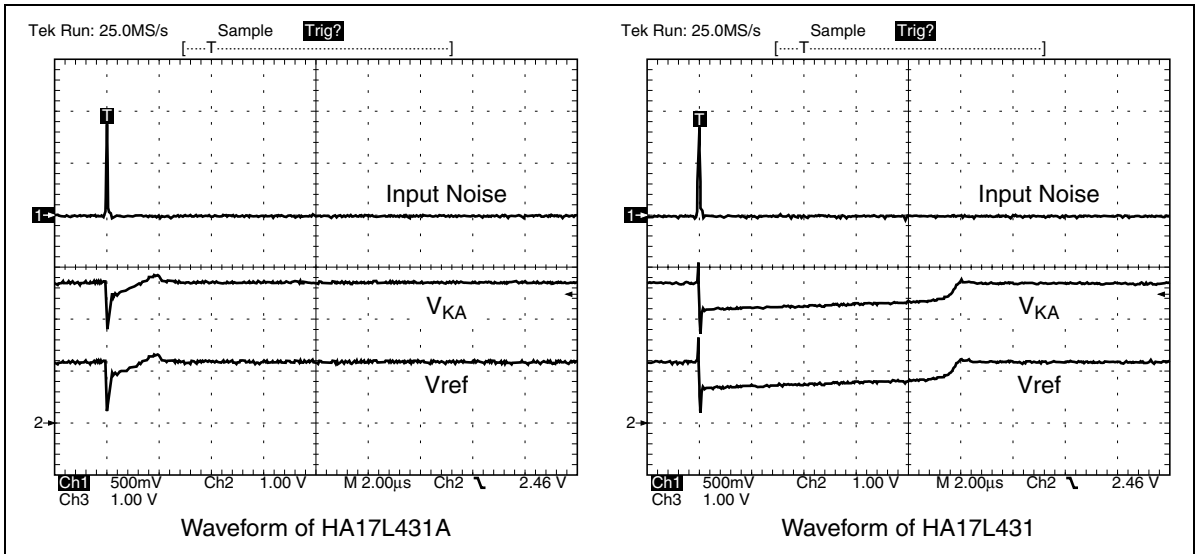


## Noise Recovery Characteristics of HA17L431A and HA17L431

The HA17L431A bettered  $V_{KA}$  and  $V_{ref}$  recovery time against the HA17L431 when it was inputted noise.



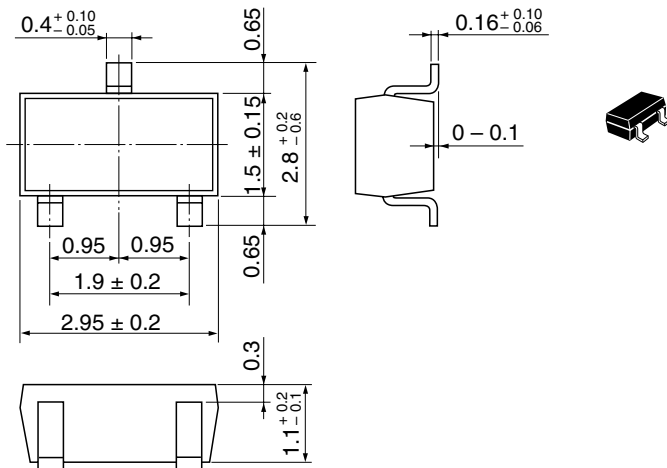
**Figure 1 Noise Response Characteristics Measurement Circuit**



**Figure 2 Noise Recovery Characteristics**

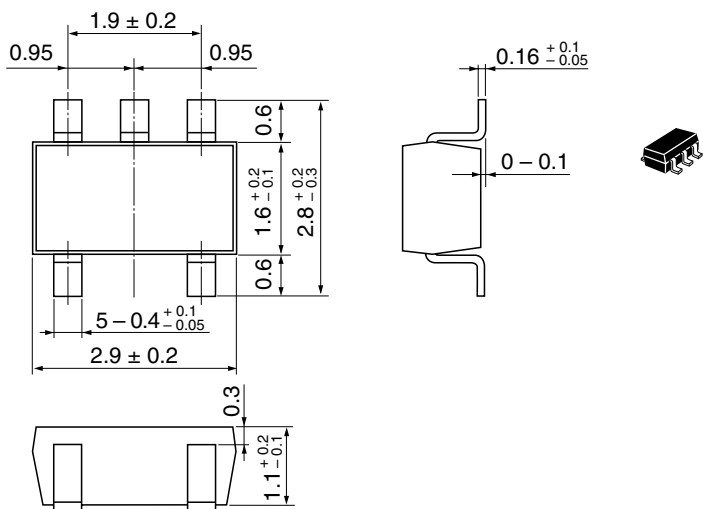
## Package Dimension

As of January, 2002  
Unit: mm



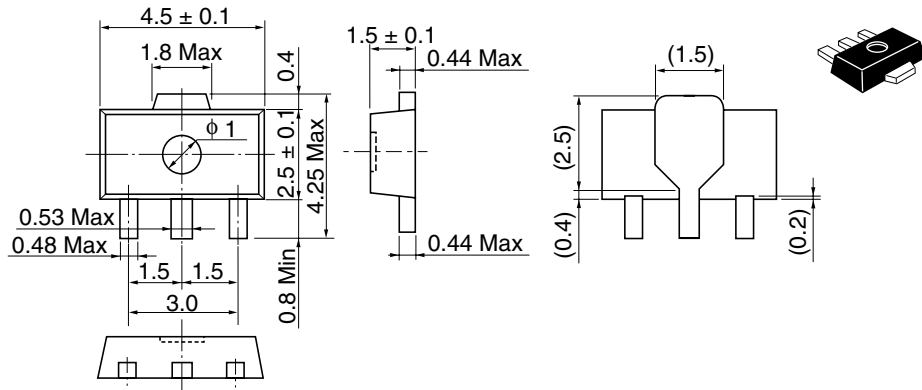
Hitachi Code	MPAK
JEDEC	—
JEITA	Conforms
Mass (reference value)	0.011 g

As of January, 2002  
Unit: mm



Hitachi Code	MPAK-5
JEDEC	—
JEITA	—
Mass (reference value)	0.015 g

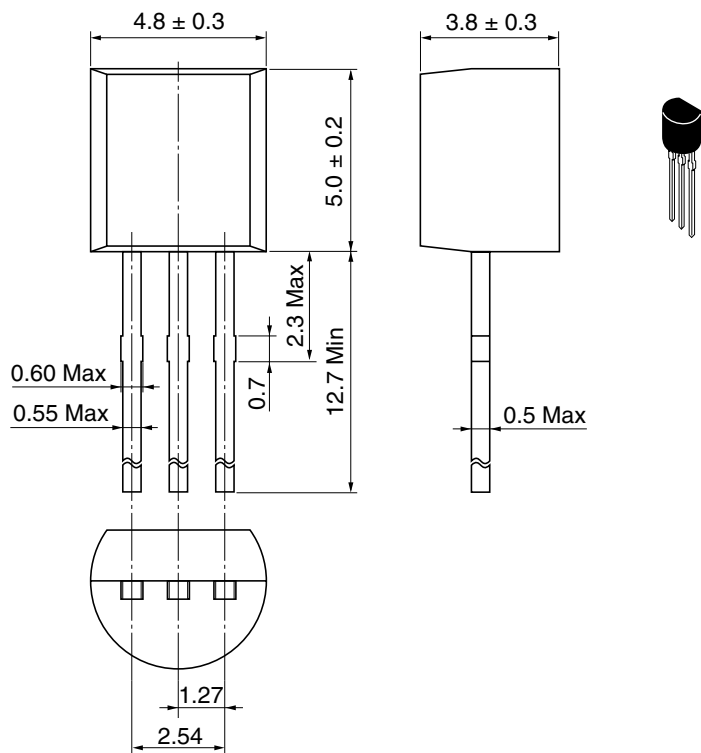
As of January, 2002  
Unit: mm



Hitachi Code	UPAK
JEDEC	—
JEITA	Conforms
Mass (reference value)	0.050 g

As of January, 2002

Unit: mm



Hitachi Code	TO-92 (1)
JEDEC	Conforms
JEITA	Conforms
Mass (reference value)	0.25 g

## Disclaimer

1. Hitachi neither warrants nor grants licenses of any rights of Hitachi's or any third party's patent, copyright, trademark, or other intellectual property rights for information contained in this document. Hitachi bears no responsibility for problems that may arise with third party's rights, including intellectual property rights, in connection with use of the information contained in this document.
2. Products and product specifications may be subject to change without notice. Confirm that you have received the latest product standards or specifications before final design, purchase or use.
3. Hitachi makes every attempt to ensure that its products are of high quality and reliability. However, contact Hitachi's sales office before using the product in an application that demands especially high quality and reliability or where its failure or malfunction may directly threaten human life or cause risk of bodily injury, such as aerospace, aeronautics, nuclear power, combustion control, transportation, traffic, safety equipment or medical equipment for life support.
4. Design your application so that the product is used within the ranges guaranteed by Hitachi particularly for maximum rating, operating supply voltage range, heat radiation characteristics, installation conditions and other characteristics. Hitachi bears no responsibility for failure or damage when used beyond the guaranteed ranges. Even within the guaranteed ranges, consider normally foreseeable failure rates or failure modes in semiconductor devices and employ systemic measures such as fail-safes, so that the equipment incorporating Hitachi product does not cause bodily injury, fire or other consequential damage due to operation of the Hitachi product.
5. This product is not designed to be radiation resistant.
6. No one is permitted to reproduce or duplicate, in any form, the whole or part of this document without written approval from Hitachi.
7. Contact Hitachi's sales office for any questions regarding this document or Hitachi semiconductor products.

## Sales Offices

# HITACHI

### Hitachi, Ltd.

Semiconductor & Integrated Circuits  
Nippon Bldg., 2-6-2, Ohte-machi, Chiyoda-ku, Tokyo 100-0004, Japan  
Tel: (03) 3270-2111 Fax: (03) 3270-5109

URL <http://www.hitachisemiconductor.com/>

### For further information write to:

Hitachi Semiconductor  
(America) Inc.  
179 East Tasman Drive  
San Jose, CA 95134  
Tel: <1> (408) 433-1990  
Fax: <1> (408) 433-0223

Hitachi Europe Ltd.  
Electronic Components Group  
Whitebrook Park  
Lower Cookham Road  
Maidenhead  
Berkshire SL6 8YA, United Kingdom  
Tel: <44> (1628) 585000  
Fax: <44> (1628) 585200

Hitachi Europe GmbH  
Electronic Components Group  
Dornacher Straße 3  
D-85622 Feldkirchen  
Postfach 201, D-85619 Feldkirchen  
Germany  
Tel: <49> (89) 9 9180-0  
Fax: <49> (89) 9 29 30 00

Hitachi Asia Ltd.  
Hitachi Tower  
16 Collyer Quay #20-00  
Singapore 049318  
Tel: <65>-6538-6533/6538-8577  
Fax: <65>-6538-6933/6538-3877  
URL: <http://semiconductor.hitachi.com.sg>

Hitachi Asia Ltd.  
(Taipei Branch Office)  
4/F, No. 167, Tun Hwa North Road  
Hung-Kuo Building  
Taipei (105), Taiwan  
Tel: <886>-(2)-2718-3666  
Fax: <886>-(2)-2718-8180  
Telex: 23222 HAS-TP  
URL: <http://www.hitachi.com.tw>

Hitachi Asia (Hong Kong) Ltd.  
Group III (Electronic Components)  
7/F., North Tower  
World Finance Centre,  
Harbour City, Canton Road  
Tsim Sha Tsui, Kowloon Hong Kong  
Tel: <852>-2735-9218  
Fax: <852>-2730-0281  
URL: <http://semiconductor.hitachi.com.hk>

Copyright © Hitachi, Ltd., 2002. All rights reserved. Printed in Japan.

Colophon 6.0