

# SHINDENGEN

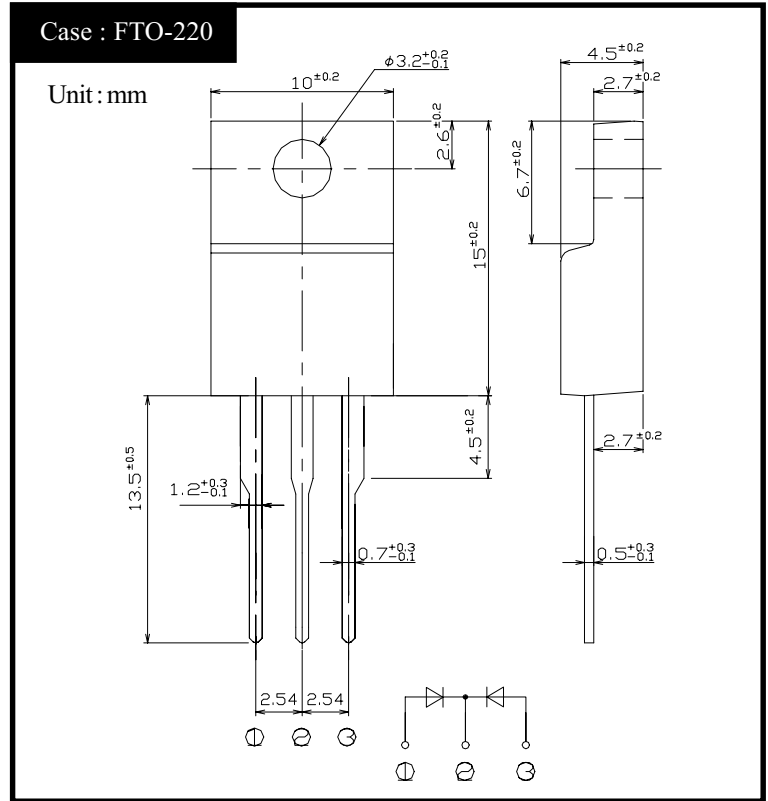
## Schottky Rectifiers (SBD)

Dual

# SF15JC10

## 100V 15A

### OUTLINE DIMENSIONS



### RATINGS

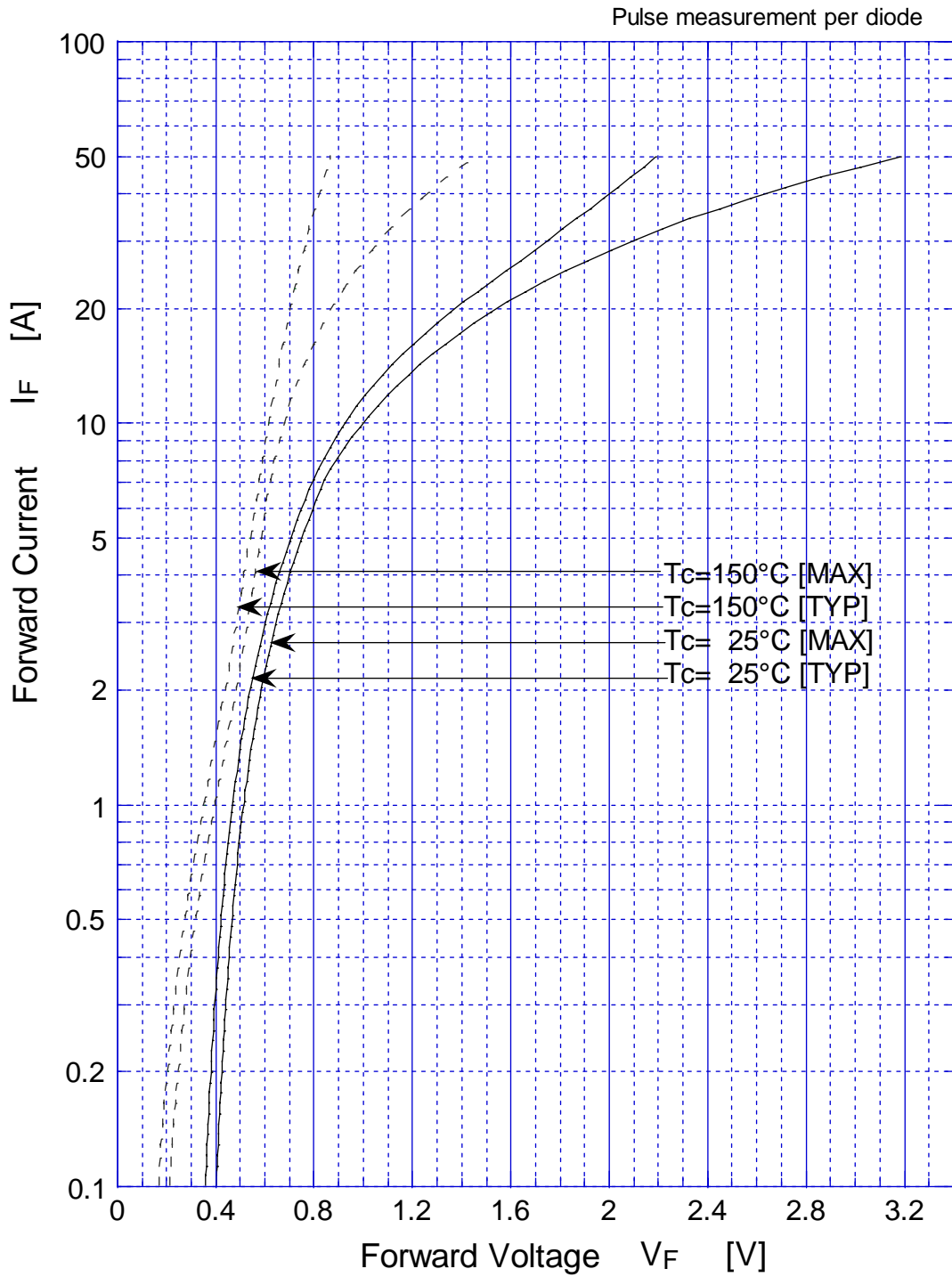
● Absolute Maximum Ratings ( If not specified,  $T_c=25^\circ\text{C}$ )

Item	Symbol	Conditions	Ratings	Unit
Storage Temperature	$T_{stg}$		-55~150	$^\circ\text{C}$
Operating Junction Temperature	$T_j$		150	$^\circ\text{C}$
Maximum Reverse Voltage	$V_{RM}$		100	V
Average Rectified Forward Current	$I_O$	50Hz sine wave, R-load, Rating for each diode $I_o/2$ , $T_c=124^\circ\text{C}$	15	A
Peak Surge Forward Current	$I_{FSM}$	50Hz sine wave, Non-repetitive 1 cycle peak value, $T_j=25^\circ\text{C}$	150	A
Dielectric Strength	$V_{dis}$	Terminals to case, AC 1 minute	2.0	kV
Mounting Torque	TOR	(Recommended torque : 0.3N·m)	0.5	N·m

● Electrical Characteristics ( If not specified,  $T_c=25^\circ\text{C}$ )

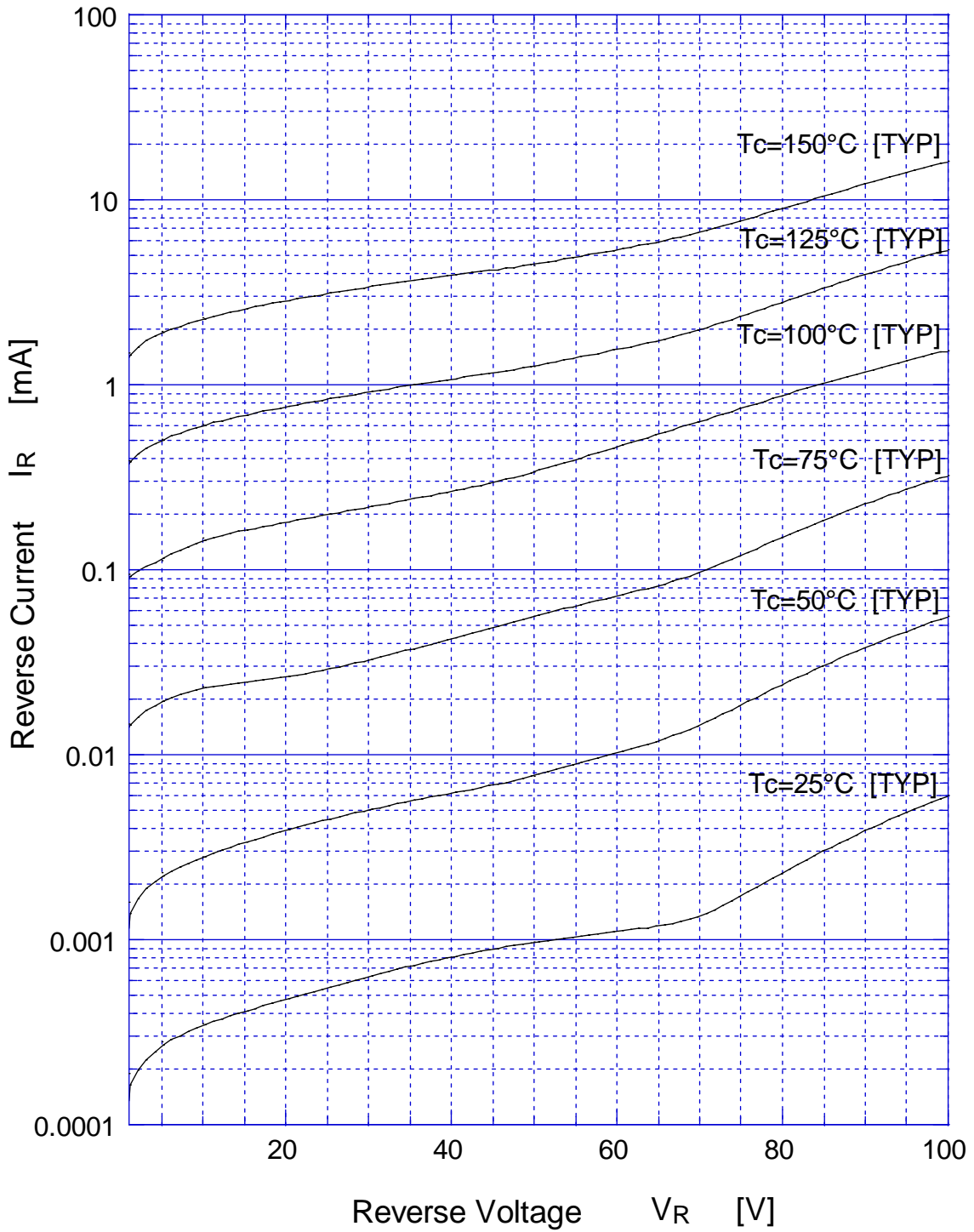
Item	Symbol	Conditions	Ratings	Unit
Forward Voltage	$V_F$	$I_F=7.5\text{A}$ , Pulse measurement, Rating of per diode	Max 0.86	V
Reverse Current	$I_R$	$V_R=V_{RM}$ , Pulse measurement, Rating of per diode	Max 0.6	mA
Junction Capacitance	$C_j$	$f=1\text{MHz}$ , $V_R=10\text{V}$ , Rating of per diode	Typ 200	pF
Thermal Resistance	$\theta_{jc}$	junction to case	Max 2.0	$^\circ\text{C/W}$

# SF15JC10 Forward Voltage

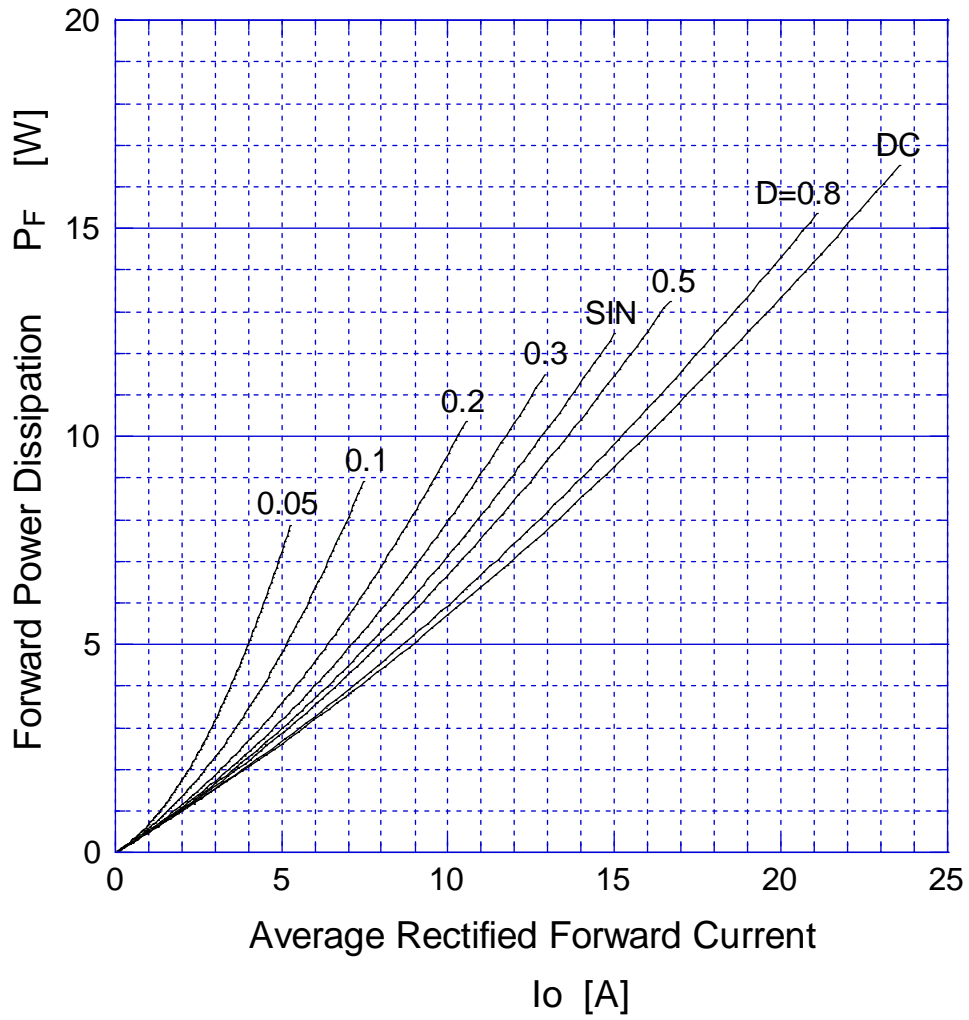


# SF15JC10 Reverse Current

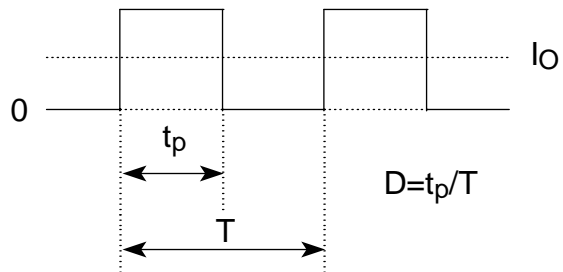
Pulse measurement per diode



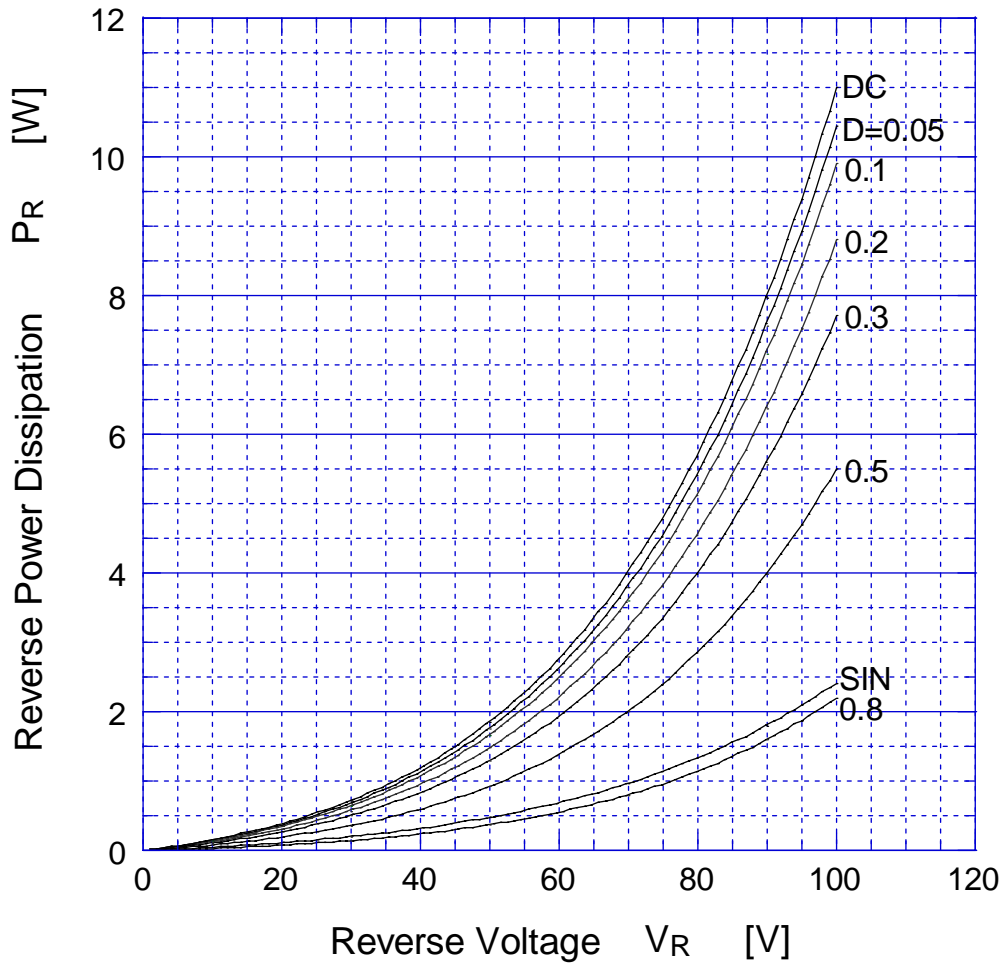
# SF15JC10 Forward Power Dissipation



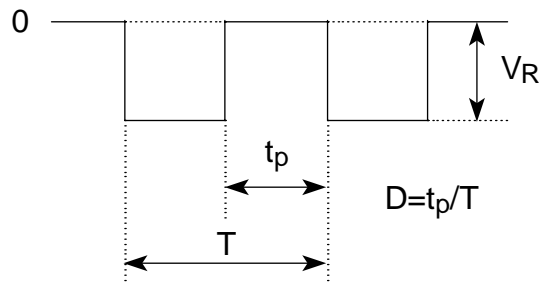
$T_j = 150^\circ\text{C}$



# SF15JC10 Reverse Power Dissipation

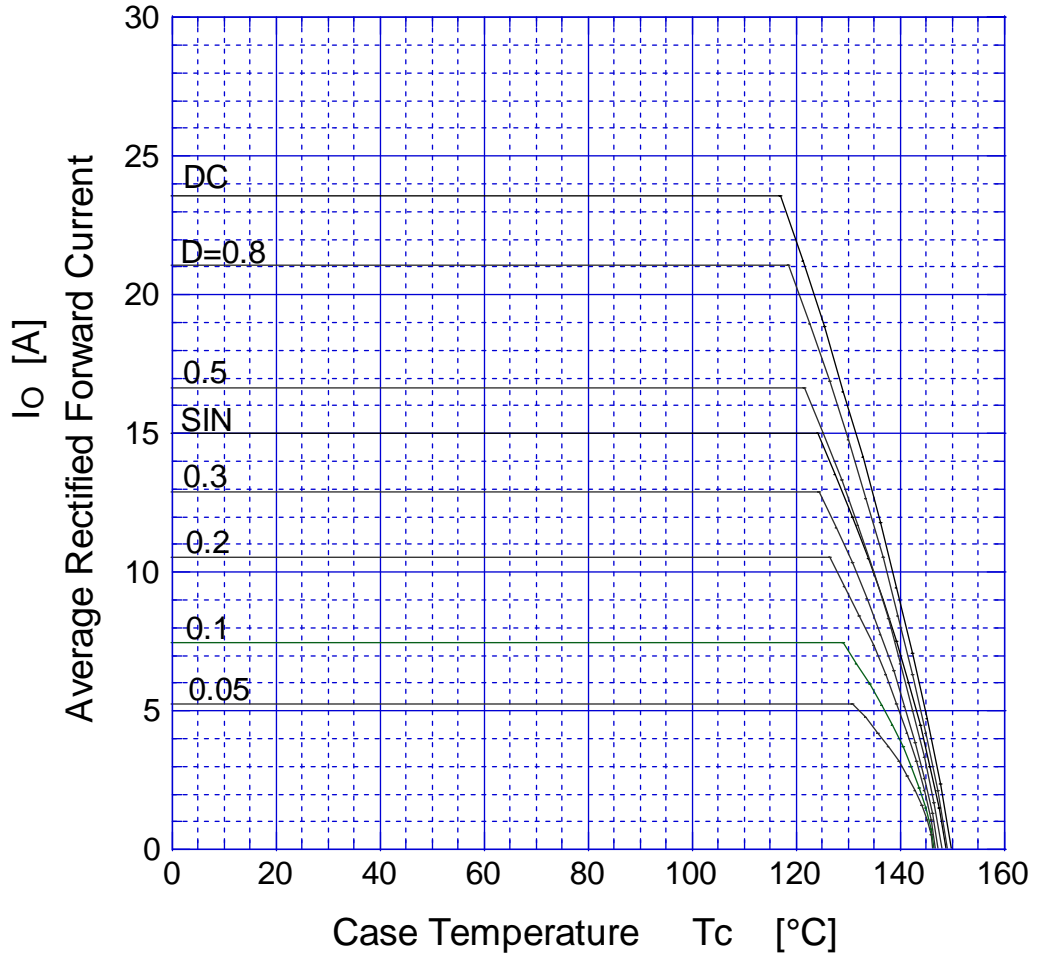


$T_j = 150^\circ\text{C}$

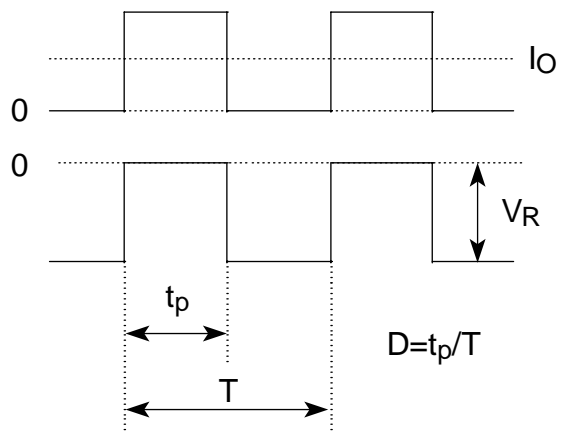


# SF15JC10

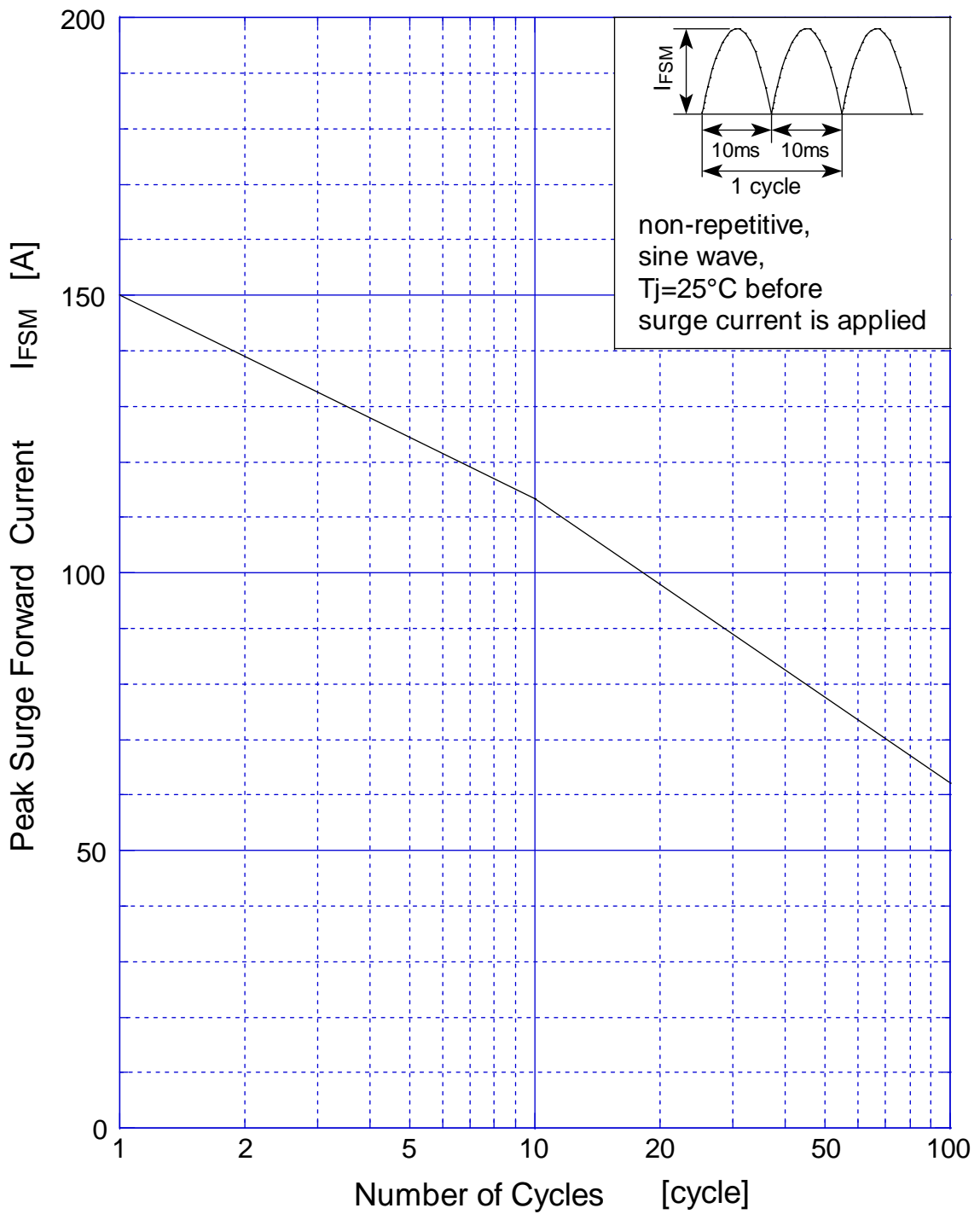
# Derating Curve



$V_R = 50V$



# SF15JC10 Peak Surge Forward Capability



# SF15JC10 Junction Capacitance

