

LMV431/LMV431A/LMV431B Low-Voltage (1.24V) Adjustable Precision Shunt Regulators

Check for Samples: [LMV431](#), [LMV431A](#), [LMV431B](#)

FEATURES

- Low Voltage Operation/Wide Adjust Range (1.24V/30V)
- 0.5% Initial Tolerance (LMV431B)
- Temperature Compensated for Industrial Temperature Range (39 PPM/°C for the LMV431A)
- Low Operation Current (55µA)
- Low Output Impedance (0.25Ω)
- Fast Turn-On Response
- Low Cost

APPLICATIONS

- Shunt Regulator
- Series Regulator
- Current Source or Sink
- Voltage Monitor
- Error Amplifier
- 3V Off-Line Switching Regulator
- Low Dropout N-Channel Series Regulator

DESCRIPTION

The LMV431, LMV431A and LMV431B are precision 1.24V shunt regulators capable of adjustment to 30V. Negative feedback from the cathode to the adjust pin controls the cathode voltage, much like a non-inverting op amp configuration (Refer to [Symbol and Functional](#) diagrams). A two resistor voltage divider terminated at the adjust pin controls the gain of a 1.24V band-gap reference. Shorting the cathode to the adjust pin (voltage follower) provides a cathode voltage of a 1.24V.

The LMV431, LMV431A and LMV431B have respective initial tolerances of 1.5%, 1% and 0.5%, and functionally lends themselves to several applications that require zener diode type performance at low voltages. Applications include a 3V to 2.7V low drop-out regulator, an error amplifier in a 3V off-line switching regulator and even as a voltage detector. These parts are typically stable with capacitive loads greater than 10nF and less than 50pF.

The LMV431, LMV431A and LMV431B provide performance at a competitive price.

Connection Diagram

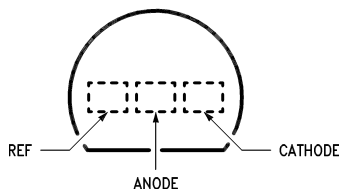
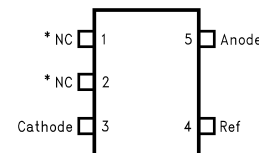


Figure 1. TO-92: Plastic Package Top View



*Pin 1 is not internally connected.

*Pin 2 is internally connected to Anode pin. Pin 2 should be either floating or connected to Anode pin.

Figure 2. SOT-23-5 Top View

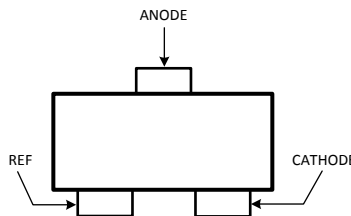


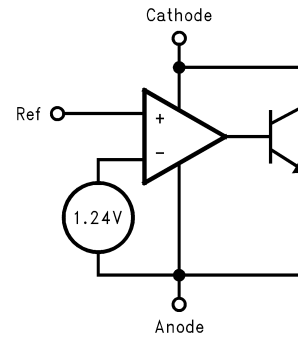
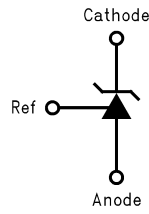
Figure 3. SOT-23-3 Top View



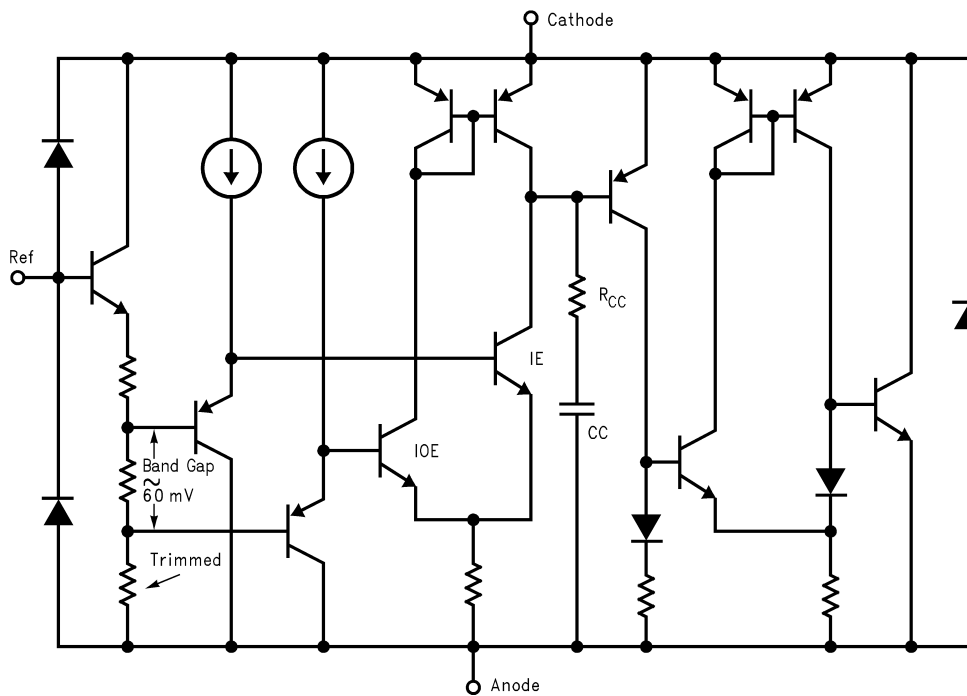
Please be aware that an important notice concerning availability, standard warranty, and use in critical applications of Texas Instruments semiconductor products and disclaimers thereto appears at the end of this data sheet.

All trademarks are the property of their respective owners.

Symbol and Functional Diagrams



Simplified Schematic



DC/AC Test Circuits for Table and Curves

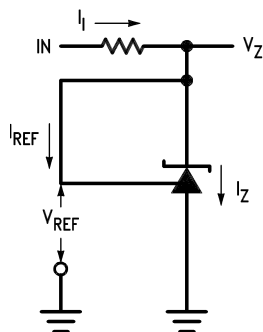
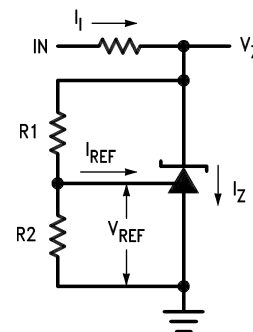


Figure 4. Test Circuit for $V_Z = V_{REF}$



Note: $V_Z = V_{REF} (1 + R1/R2) + I_{REF} \cdot R1$

Figure 5. Test Circuit for $V_Z > V_{REF}$

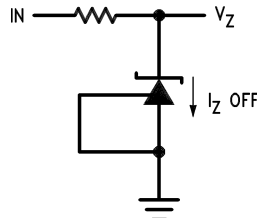


Figure 6. Test Circuit for Off-State Current



These devices have limited built-in ESD protection. The leads should be shorted together or the device placed in conductive foam during storage or handling to prevent electrostatic damage to the MOS gates.

ABSOLUTE MAXIMUM RATINGS ⁽¹⁾⁽²⁾

Storage Temperature Range		-65°C to +150°C
Operating Temperature Range	Industrial (LMV431AI, LMV431I)	-40°C to +85°C
	Commercial (LMV431AC, LMV431C, LMV431BC)	0°C to +70°C
Lead Temperature	TO-92 Package/SOT-23 -5,-3 Package (Soldering, 10 sec.)	265°C
Internal Power Dissipation ⁽³⁾	TO-92	0.78W
	SOT-23-5, -3 Package	0.28W
Cathode Voltage		35V
Continuous Cathode Current		-30 mA to +30mA
Reference Input Current range		-.05mA to 3mA

- (1) Absolute Maximum Ratings indicate limits beyond which damage to the device may occur. Electrical specifications do not apply when operating the device beyond its rated operating conditions.
- (2) If Military/Aerospace specified devices are required, please contact the Texas Instruments Sales Office/ Distributors for availability and specifications.
- (3) Ratings apply to ambient temperature at 25°C. Above this temperature, derate the TO-92 at 6.2 mW/°C, and the SOT-23-5 at 2.2 mW/°C. See derating curve in [Operating Condition](#) section..

OPERATING CONDITIONS

Cathode Voltage		V _{REF} to 30V
Cathode Current		0.1 mA to 15mA
Temperature range	LMV431AI	-40°C ≤ T _A ≤ 85°C
Thermal Resistance (θ _{JA}) ⁽¹⁾	SOT-23-5, -3 Package	455 °C/W
	TO-92 Package	161 °C/W
Derating Curve (Slope = -1/θ _{JA})		

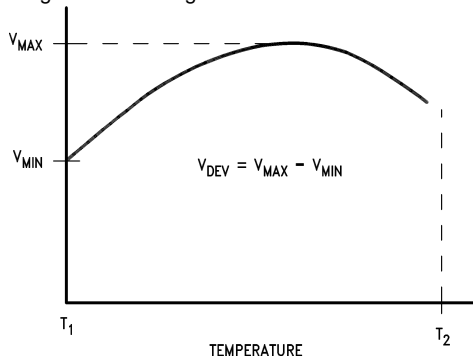
- (1) T_{J Max} = 150°C, T_J = T_A + (θ_{JA} P_D), where P_D is the operating power of the device.

LMV431C ELECTRICAL CHARACTERISTICS

T_A = 25°C unless otherwise specified

Symbol	Parameter	Conditions	Min	Typ	Max	Units	
V _{REF}	Reference Voltage	V _Z = V _{REF} , I _Z = 10mA (See Figure 4)	T _A = 25°C	1.222	1.24	1.258	V
			T _A = Full Range	1.21		1.27	
V _{DEV}	Deviation of Reference Input Voltage Over Temperature ⁽¹⁾	V _Z = V _{REF} , I _Z = 10mA, T _A = Full Range (See Figure 4)		4	12	mV	
ΔV _{REF} /ΔV _Z	Ratio of the Change in Reference Voltage to the Change in Cathode Voltage	I _Z = 10mA (see Figure 5) V _Z from V _{REF} to 6V R ₁ = 10k, R ₂ = ∞ and 2.6k		-1.5	-2.7	mV/V	
I _{REF}	Reference Input Current	R ₁ = 10kΩ, R ₂ = ∞ I ₁ = 10mA (see Figure 5)		0.15	0.5	μA	
α _{REF}	Deviation of Reference Input Current over Temperature	R ₁ = 10kΩ, R ₂ = ∞, I ₁ = 10mA, T _A = Full Range (see Figure 5)		0.05	0.3	μA	
I _{Z(MIN)}	Minimum Cathode Current for Regulation	V _Z = V _{REF} (see Figure 4)		55	80	μA	
I _{Z(OFF)}	Off-State Current	V _Z =6V, V _{REF} = 0V (see Figure 6)		0.001	0.1	μA	
r _Z	Dynamic Output Impedance ⁽²⁾	V _Z = V _{REF} , I _Z = 0.1mA to 15mA Frequency = 0Hz (see Figure 4)		0.25	0.4	Ω	

- (1) Deviation of reference input voltage, V_{DEV}, is defined as the maximum variation of the reference input voltage over the full temperature range. See following:



The average temperature coefficient of the reference input voltage, α_{VREF}, is defined as:

$$\alpha_{VREF} \frac{\text{ppm}}{^{\circ}\text{C}} = \frac{\pm \left[\frac{V_{MAX} - V_{MIN}}{V_{REF}(\text{at } 25^{\circ}\text{C})} \right] 10^6}{T_2 - T_1} = \frac{\pm \left[\frac{V_{DEV}}{V_{REF}(\text{at } 25^{\circ}\text{C})} \right] 10^6}{T_2 - T_1}$$

Where: T₂ - T₁ = full temperature change. α_{VREF} can be positive or negative depending

on whether the slope is positive or negative. Example: V_{DEV} = 6.0mV, V_{REF} = 1240mV, T₂ - T₁ = 125°C.

$$\alpha_{VREF} = \frac{\left[\frac{6.0 \text{ mV}}{1240 \text{ mV}} \right] 10^6}{125^{\circ}\text{C}} = +39 \text{ ppm}/^{\circ}\text{C}$$

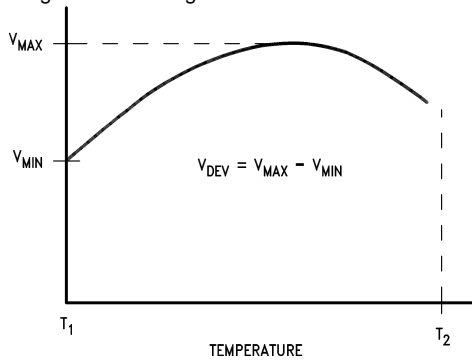
- (2) The dynamic output impedance, r_Z, is defined as: $r_Z = \frac{\Delta V_Z}{\Delta I_Z}$ When the device is programmed with two external resistors, R₁ and R₂, (see Figure 5), the dynamic output impedance of the overall circuit, r_Z, is defined as: $r_Z = \frac{\Delta V_Z}{\Delta I_Z} \approx \left[r_z \left(1 + \frac{R_1}{R_2} \right) \right]$

LMV431 ELECTRICAL CHARACTERISTICS

 $T_A = 25^\circ\text{C}$ unless otherwise specified

Symbol	Parameter	Conditions	Min	Typ	Max	Units	
V_{REF}	Reference Voltage	$V_Z = V_{REF}, I_Z = 10\text{mA}$ (See Figure 4)	$T_A = 25^\circ\text{C}$	1.222	1.24	1.258	V
			$T_A = \text{Full Range}$	1.202		1.278	
V_{DEV}	Deviation of Reference Input Voltage Over Temperature ⁽¹⁾	$V_Z = V_{REF}, I_Z = 10\text{mA},$ $T_A = \text{Full Range}$ (See Figure 4)		6	20	mV	
$\frac{\Delta V_{REF}}{\Delta V_Z}$	Ratio of the Change in Reference Voltage to the Change in Cathode Voltage	$I_Z = 10\text{mA}$ (see Figure 5) V_Z from V_{REF} to 6V $R_1 = 10\text{k}, R_2 = \infty$ and 2.6k		-1.5	-2.7	mV/V	
I_{REF}	Reference Input Current	$R_1 = 10\text{k}\Omega, R_2 = \infty$ $I_1 = 10\text{mA}$ (see Figure 5)		0.15	0.5	μA	
α_{REF}	Deviation of Reference Input Current over Temperature	$R_1 = 10\text{k}\Omega, R_2 = \infty,$ $I_1 = 10\text{mA}, T_A = \text{Full Range}$ (see Figure 5)		0.1	0.4	μA	
$I_{Z(\text{MIN})}$	Minimum Cathode Current for Regulation	$V_Z = V_{REF}$ (see Figure 4)		55	80	μA	
$I_{Z(\text{OFF})}$	Off-State Current	$V_Z = 6\text{V}, V_{REF} = 0\text{V}$ (see Figure 6)		0.001	0.1	μA	
r_Z	Dynamic Output Impedance ⁽²⁾	$V_Z = V_{REF}, I_Z = 0.1\text{mA}$ to 15mA Frequency = 0Hz (see Figure 4)		0.25	0.4	Ω	

- (1) Deviation of reference input voltage, V_{DEV} , is defined as the maximum variation of the reference input voltage over the full temperature range. See following:



The average temperature coefficient of the reference input voltage, α_{REF} , is defined as:

$$\alpha_{REF} \frac{\text{ppm}}{^\circ\text{C}} = \frac{\pm \left[\frac{V_{MAX} - V_{MIN}}{V_{REF}(\text{at } 25^\circ\text{C})} \right] 10^6}{T_2 - T_1} = \frac{\pm \left[\frac{V_{DEV}}{V_{REF}(\text{at } 25^\circ\text{C})} \right] 10^6}{T_2 - T_1}$$

Where: $T_2 - T_1 =$ full temperature change. α_{REF} can be positive or negative depending on whether the slope is positive or negative. Example: $V_{DEV} = 6.0\text{mV}, V_{REF} = 1240\text{mV}, T_2 - T_1 = 125^\circ\text{C}.$

$$\alpha_{REF} = \frac{\left[\frac{6.0 \text{ mV}}{1240 \text{ mV}} \right] 10^6}{125^\circ\text{C}} = +39 \text{ ppm}/^\circ\text{C}$$

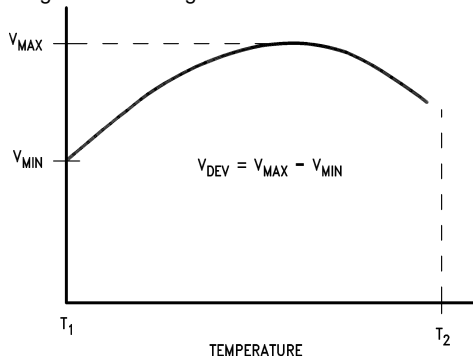
- (2) The dynamic output impedance, r_Z , is defined as: $r_Z = \frac{\Delta V_Z}{\Delta I_Z}$ When the device is programmed with two external resistors, R_1 and R_2 , (see [Figure 5](#)), the dynamic output impedance of the overall circuit, r_Z , is defined as: $r_Z = \frac{\Delta V_Z}{\Delta I_Z} \cong \left[r_z \left(1 + \frac{R_1}{R_2} \right) \right]$

LMV431AC ELECTRICAL CHARACTERISTICS

T_A = 25°C unless otherwise specified

Symbol	Parameter	Conditions	Min	Typ	Max	Units
V _{REF}	Reference Voltage	V _Z = V _{REF} , I _Z = 10 mA (See Figure 4)	T _A = 25°C 1.228	1.24	1.252	V
			T _A = Full Range 1.221		1.259	
V _{DEV}	Deviation of Reference Input Voltage Over Temperature ⁽¹⁾	V _Z = V _{REF} , I _Z = 10mA, T _A = Full Range (See Figure 4)		4	12	mV
ΔV _{REF} /ΔV _Z	Ratio of the Change in Reference Voltage to the Change in Cathode Voltage	I _Z = 10 mA (see Figure 5) V _Z from V _{REF} to 6V R ₁ = 10k, R ₂ = ∞ and 2.6k		-1.5	-2.7	mV/V
I _{REF}	Reference Input Current	R ₁ = 1 kΩ, R ₂ = ∞ I ₁ = 10 mA (see Figure 5)		0.15	0.50	μA
α _{REF}	Deviation of Reference Input Current over Temperature	R ₁ = 10 kΩ, R ₂ = ∞, I ₁ = 10 mA, T _A = Full Range (see Figure 5)		0.05	0.3	μA
I _{Z(MIN)}	Minimum Cathode Current for Regulation	V _Z = V _{REF} (see Figure 4)		55	80	μA
I _{Z(OFF)}	Off-State Current	V _Z = 6V, V _{REF} = 0V (see Figure 6)		0.001	0.1	μA
r _Z	Dynamic Output Impedance ⁽²⁾	V _Z = V _{REF} , I _Z = 0.1mA to 15mA Frequency = 0 Hz (see Figure 4)		0.25	0.4	Ω

- (1) Deviation of reference input voltage, V_{DEV}, is defined as the maximum variation of the reference input voltage over the full temperature range. See following:



The average temperature coefficient of the reference input voltage, α_{VREF}, is defined as:

$$\alpha_{VREF} \frac{\text{ppm}}{^{\circ}\text{C}} = \frac{\pm \left[\frac{V_{MAX} - V_{MIN}}{V_{REF}(\text{at } 25^{\circ}\text{C})} \right] 10^6}{T_2 - T_1} = \frac{\pm \left[\frac{V_{DEV}}{V_{REF}(\text{at } 25^{\circ}\text{C})} \right] 10^6}{T_2 - T_1}$$

Where: T₂ - T₁ = full temperature change. α_{VREF} can be positive or negative depending on whether the slope is positive or negative. Example: V_{DEV} = 6.0mV, V_{REF} = 1240mV, T₂ - T₁ = 125°C.

$$\alpha_{VREF} = \frac{\left[\frac{6.0 \text{ mV}}{1240 \text{ mV}} \right] 10^6}{125^{\circ}\text{C}} = +39 \text{ ppm}/^{\circ}\text{C}$$

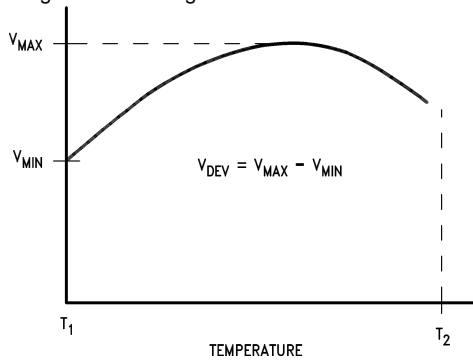
- (2) The dynamic output impedance, r_Z, is defined as: $r_Z = \frac{\Delta V_Z}{\Delta I_Z}$ When the device is programmed with two external resistors, R₁ and R₂, (see Figure 5), the dynamic output impedance of the overall circuit, r_Z, is defined as: $r_Z = \frac{\Delta V_Z}{\Delta I_Z} \approx \left[r_z \left(1 + \frac{R_1}{R_2} \right) \right]$

LMV431AI ELECTRICAL CHARACTERISTICS

T_A = 25°C unless otherwise specified

Symbol	Parameter	Conditions	Min	Typ	Max	Units	
V _{REF}	Reference Voltage	V _Z = V _{REF} , I _Z = 10mA (See Figure 4)	T _A = 25°C	1.228	1.24	1.252	V
			T _A = Full Range	1.215		1.265	
V _{DEV}	Deviation of Reference Input Voltage Over Temperature ⁽¹⁾	V _Z = V _{REF} , I _Z = 10mA, T _A = Full Range (See Figure 4)		6	20	mV	
$\frac{\Delta V_{REF}}{\Delta V_Z}$	Ratio of the Change in Reference Voltage to the Change in Cathode Voltage	I _Z = 10mA (see Figure 5) V _Z from V _{REF} to 6V R ₁ = 10k, R ₂ = ∞ and 2.6k		-1.5	-2.7	mV/V	
I _{REF}	Reference Input Current	R ₁ = 10kΩ, R ₂ = ∞ I ₁ = 10mA (see Figure 5)		0.15	0.5	μA	
αI _{REF}	Deviation of Reference Input Current over Temperature	R ₁ = 10kΩ, R ₂ = ∞, I ₁ = 10mA, T _A = Full Range (see Figure 5)		0.1	0.4	μA	
I _{Z(MIN)}	Minimum Cathode Current for Regulation	V _Z = V _{REF} (see Figure 4)		55	80	μA	
I _{Z(OFF)}	Off-State Current	V _Z = 6V, V _{REF} = 0V (see Figure 6)		0.001	0.1	μA	
r _Z	Dynamic Output Impedance ⁽²⁾	V _Z = V _{REF} , I _Z = 0.1mA to 15mA Frequency = 0Hz (see Figure 4)		0.25	0.4	Ω	

- (1) Deviation of reference input voltage, V_{DEV}, is defined as the maximum variation of the reference input voltage over the full temperature range. See following:



The average temperature coefficient of the reference input voltage, αV_{REF}, is defined as:

$$\alpha V_{REF} \frac{\text{ppm}}{^{\circ}\text{C}} = \frac{\pm \left[\frac{V_{MAX} - V_{MIN}}{V_{REF}(\text{at } 25^{\circ}\text{C})} \right] 10^6}{T_2 - T_1} = \frac{\pm \left[\frac{V_{DEV}}{V_{REF}(\text{at } 25^{\circ}\text{C})} \right] 10^6}{T_2 - T_1}$$

Where: T₂ - T₁ = full temperature change. αV_{REF} can be positive or negative depending on whether the slope is positive or negative. Example: V_{DEV} = 6.0mV, V_{REF} = 1240mV, T₂ - T₁ = 125°C.

$$\alpha V_{REF} = \frac{\left[\frac{6.0 \text{ mV}}{1240 \text{ mV}} \right] 10^6}{125^{\circ}\text{C}} = +39 \text{ ppm}/^{\circ}\text{C}$$

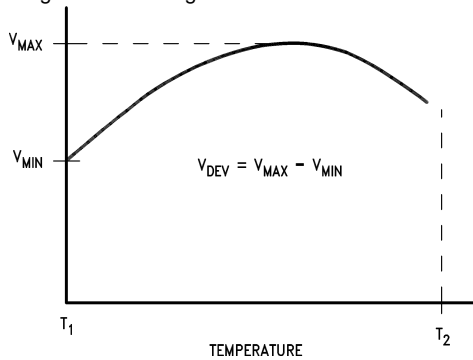
- (2) The dynamic output impedance, r_Z, is defined as: $r_Z = \frac{\Delta V_Z}{\Delta I_Z}$ When the device is programmed with two external resistors, R₁ and R₂, (see Figure 5), the dynamic output impedance of the overall circuit, r_Z, is defined as: $r_Z = \frac{\Delta V_Z}{\Delta I_Z} \cong \left[r_z \left(1 + \frac{R_1}{R_2} \right) \right]$

LMV431BC ELECTRICAL CHARACTERISTICS

T_A = 25°C unless otherwise specified

Symbol	Parameter	Conditions	Min	Typ	Max	Units	
V _{REF}	Reference Voltage	V _Z = V _{REF} , I _Z = 10mA (See Figure 4)	T _A = 25°C	1.234	1.24	1.246	V
			T _A = Full Range	1.227		1.253	
V _{DEV}	Deviation of Reference Input Voltage Over Temperature ⁽¹⁾	V _Z = V _{REF} , I _Z = 10mA, T _A = Full Range (See Figure 4)		4	12	mV	
ΔV _{REF} / ΔV _Z	Ratio of the Change in Reference Voltage to the Change in Cathode Voltage	I _Z = 10mA (see Figure 5) V _Z from V _{REF} to 6V R ₁ = 10k, R ₂ = ∞ and 2.6k		-1.5	-2.7	mV/V	
I _{REF}	Reference Input Current	R ₁ = 10kΩ, R ₂ = ∞ I ₁ = 10mA (see Figure 5)		0.15	0.50	μA	
αI _{REF}	Deviation of Reference Input Current over Temperature	R ₁ = 10kΩ, R ₂ = ∞, I ₁ = 10mA, T _A = Full Range (see Figure 5)		0.05	0.3	μA	
I _{Z(MIN)}	Minimum Cathode Current for Regulation	V _Z = V _{REF} (see Figure 4)		55	80	μA	
I _{Z(OFF)}	Off-State Current	V _Z = 6V, V _{REF} = 0V (see Figure 6)		0.001	0.1	μA	
r _Z	Dynamic Output Impedance ⁽²⁾	V _Z = V _{REF} , I _Z = 0.1mA to 15mA Frequency = 0Hz (see Figure 4)		0.25	0.4	Ω	

- (1) Deviation of reference input voltage, V_{DEV}, is defined as the maximum variation of the reference input voltage over the full temperature range. See following:



The average temperature coefficient of the reference input voltage, αV_{REF}, is defined as:

$$\alpha V_{REF} \frac{\text{ppm}}{^{\circ}\text{C}} = \frac{\pm \left[\frac{V_{MAX} - V_{MIN}}{V_{REF}(\text{at } 25^{\circ}\text{C})} \right] 10^6}{T_2 - T_1} = \frac{\pm \left[\frac{V_{DEV}}{V_{REF}(\text{at } 25^{\circ}\text{C})} \right] 10^6}{T_2 - T_1}$$

Where: T₂ - T₁ = full temperature change. αV_{REF} can be positive or negative depending on whether the slope is positive or negative. Example: V_{DEV} = 6.0mV, V_{REF} = 1240mV, T₂ - T₁ = 125°C.

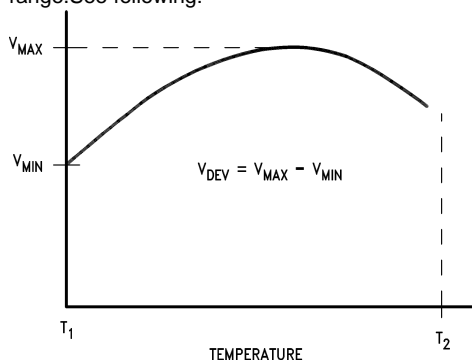
$$\alpha V_{REF} = \frac{\left[\frac{6.0 \text{ mV}}{1240 \text{ mV}} \right] 10^6}{125^{\circ}\text{C}} = +39 \text{ ppm}/^{\circ}\text{C}$$

- (2) The dynamic output impedance, r_Z, is defined as: $r_Z = \frac{\Delta V_Z}{\Delta I_Z}$ When the device is programmed with two external resistors, R₁ and R₂, (see Figure 5), the dynamic output impedance of the overall circuit, r_Z, is defined as: $r_Z = \frac{\Delta V_Z}{\Delta I_Z} \approx \left[r_z \left(1 + \frac{R_1}{R_2} \right) \right]$

LMV431BI ELECTRICAL CHARACTERISTICS
 $T_A = 25^\circ\text{C}$ unless otherwise specified

Symbol	Parameter	Conditions	Min	Typ	Max	Units	
V_{REF}	Reference Voltage	$V_Z = V_{REF}, I_Z = 10\text{mA}$ (See Figure 4)	$T_A = 25^\circ\text{C}$	1.234	1.24	1.246	V
			$T_A = \text{Full Range}$	1.224		1.259	
V_{DEV}	Deviation of Reference Input Voltage Over Temperature ⁽¹⁾	$V_Z = V_{REF}, I_Z = 10\text{mA},$ $T_A = \text{Full Range}$ (See Figure 4)		6	20	mV	
$\frac{\Delta V_{REF}}{\Delta V_Z}$	Ratio of the Change in Reference Voltage to the Change in Cathode Voltage	$I_Z = 10\text{mA}$ (see Figure 5) V_Z from V_{REF} to 6V $R_1 = 10\text{k}, R_2 = \infty$ and 2.6k		-1.5	-2.7	mV/V	
I_{REF}	Reference Input Current	$R_1 = 10\text{k}\Omega, R_2 = \infty$ $I_1 = 10\text{mA}$ (see Figure 5)		0.15	0.50	μA	
αI_{REF}	Deviation of Reference Input Current over Temperature	$R_1 = 10\text{k}\Omega, R_2 = \infty,$ $I_1 = 10\text{mA}, T_A = \text{Full Range}$ (see Figure 5)		0.1	0.4	μA	
$I_{Z(\text{MIN})}$	Minimum Cathode Current for Regulation	$V_Z = V_{REF}$ (see Figure 4)		55	80	μA	
$I_{Z(\text{OFF})}$	Off-State Current	$V_Z = 6\text{V}, V_{REF} = 0\text{V}$ (see Figure 6)		0.001	0.1	μA	
r_Z	Dynamic Output Impedance ⁽²⁾	$V_Z = V_{REF}, I_Z = 0.1\text{mA}$ to 15mA Frequency = 0Hz (see Figure 4)		0.25	0.4	Ω	

- (1) Deviation of reference input voltage, V_{DEV} , is defined as the maximum variation of the reference input voltage over the full temperature range. See following:



The average temperature coefficient of the reference input voltage, αV_{REF} , is defined as:

$$\alpha V_{REF} \frac{\text{ppm}}{^\circ\text{C}} = \pm \frac{V_{MAX} - V_{MIN}}{V_{REF}(\text{at } 25^\circ\text{C})} 10^6 = \pm \frac{V_{DEV}}{V_{REF}(\text{at } 25^\circ\text{C})} 10^6$$

Where: $T_2 - T_1 = \text{full temperature change. } \alpha V_{REF} \text{ can be positive or negative depending on whether the slope is positive or negative. Example: } V_{DEV} = 6.0\text{mV}, V_{REF} = 1240\text{mV}, T_2 - T_1 = 125^\circ\text{C}.$

$$\alpha V_{REF} = \frac{6.0 \text{ mV}}{1240 \text{ mV}} 10^6 = +39 \text{ ppm}/^\circ\text{C}$$

- (2) The dynamic output impedance, r_Z , is defined as: $r_Z = \frac{\Delta V_Z}{\Delta I_Z}$ When the device is programmed with two external resistors, R_1 and R_2 , (see [Figure 5](#)), the dynamic output impedance of the overall circuit, r_Z , is defined as:
- $$r_Z = \frac{\Delta V_Z}{\Delta I_Z} \cong \left[r_z \left(1 + \frac{R_1}{R_2} \right) \right]$$

TYPICAL PERFORMANCE CHARACTERISTICS

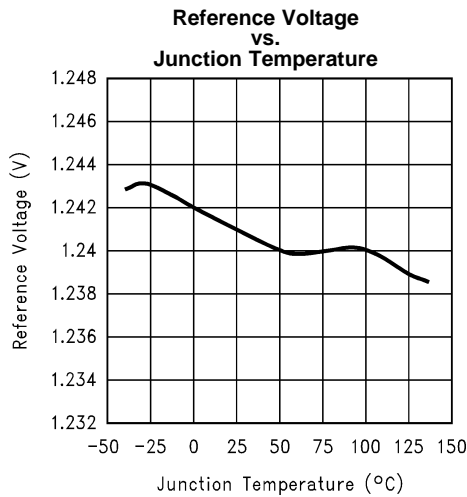


Figure 7.

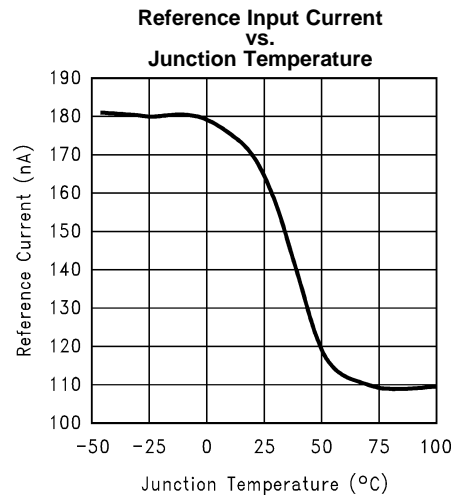


Figure 8.

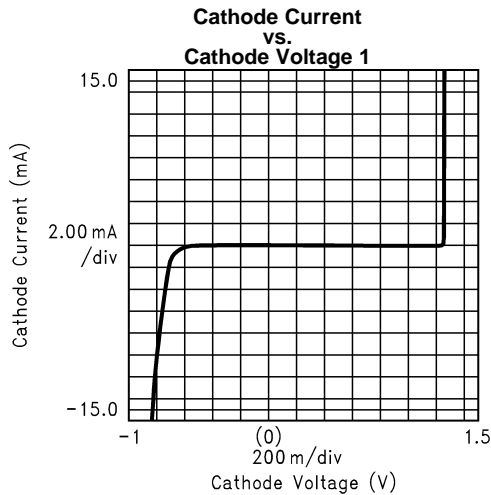


Figure 9.

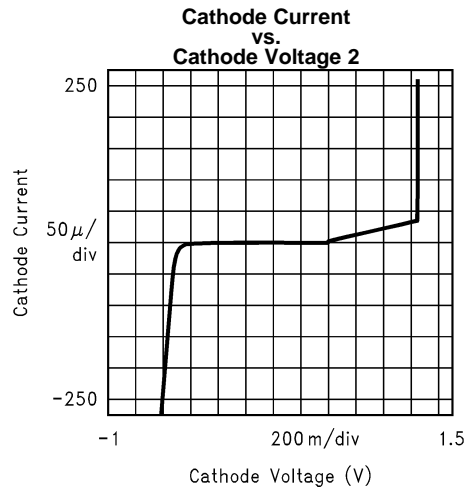


Figure 10.

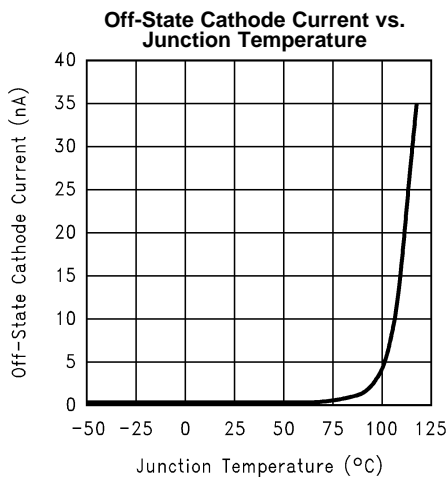


Figure 11.

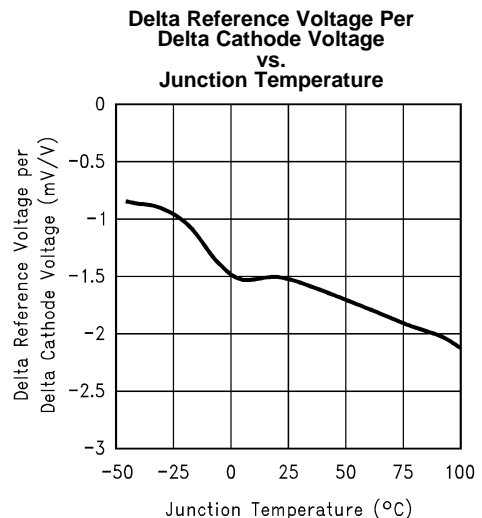


Figure 12.

TYPICAL PERFORMANCE CHARACTERISTICS (continued)

Input Voltage Noise vs. Frequency

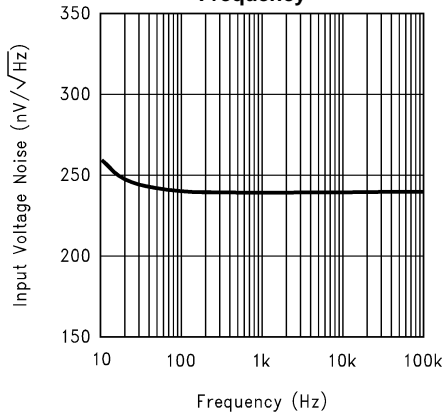


Figure 13.

Test Circuit for Input Voltage Noise vs. Frequency

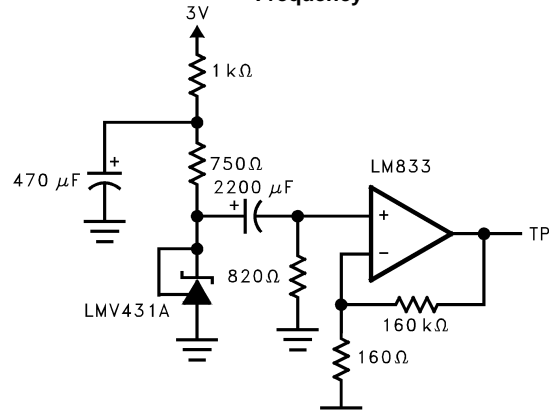


Figure 14.

Low Frequency Peak to Peak Noise

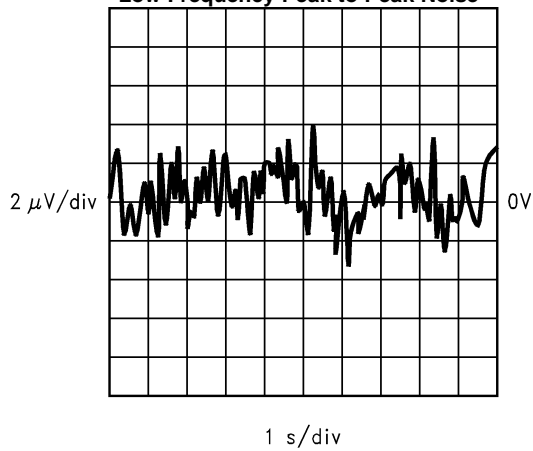


Figure 15.

Test Circuit for Peak to Peak Noise (BW= 0.1Hz to 10Hz)

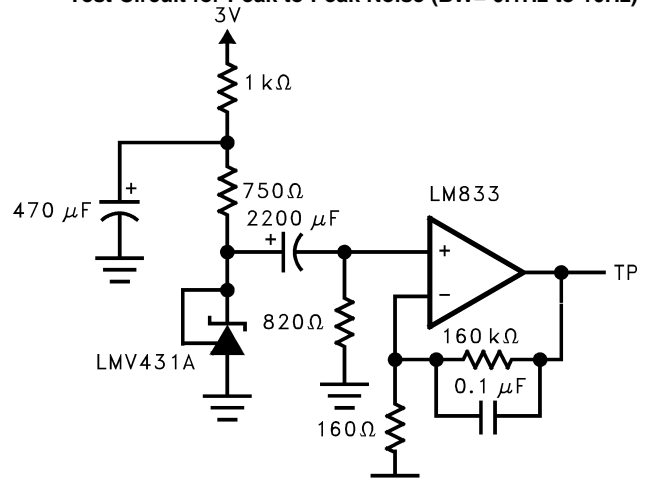


Figure 16.

Small Signal Voltage Gain and Phase Shift vs. Frequency

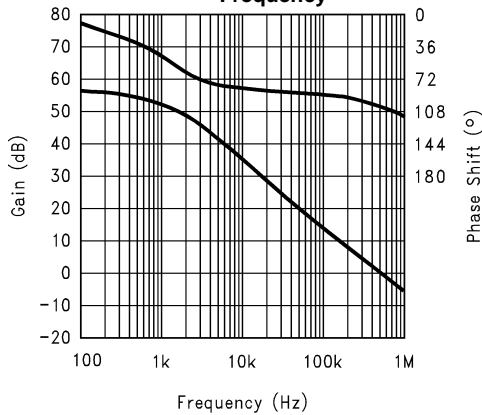


Figure 17.

Test Circuit For Voltage Gain and Phase Shift vs. Frequency

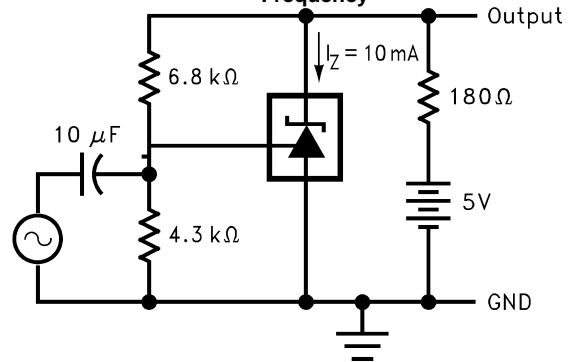
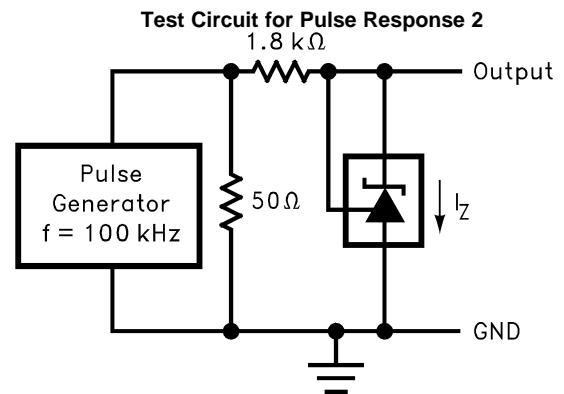
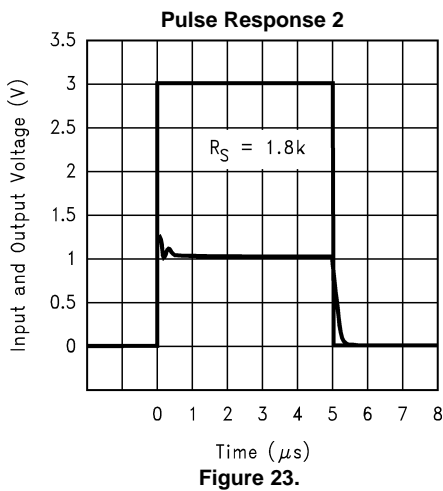
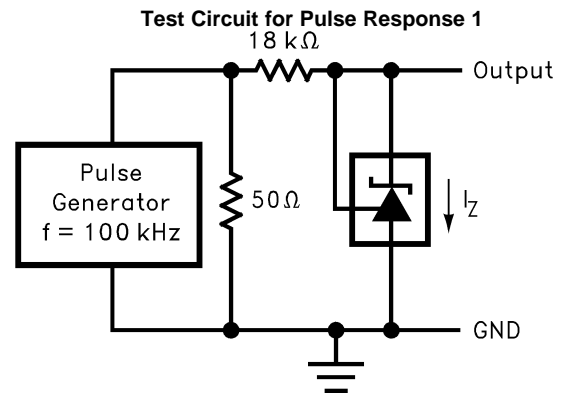
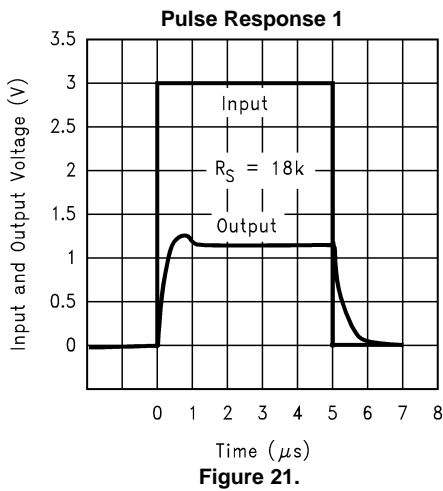
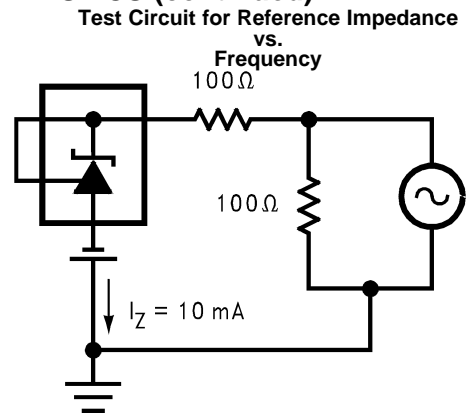
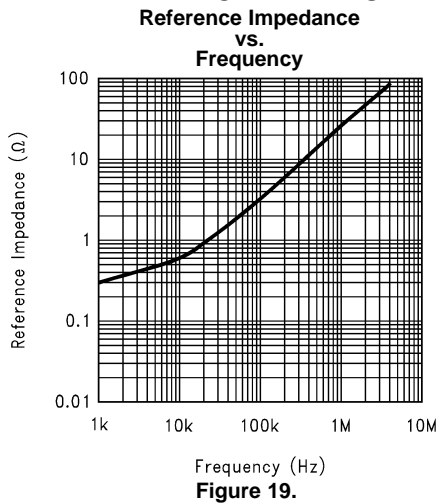


Figure 18.

TYPICAL PERFORMANCE CHARACTERISTICS (continued)



TYPICAL PERFORMANCE CHARACTERISTICS (continued)

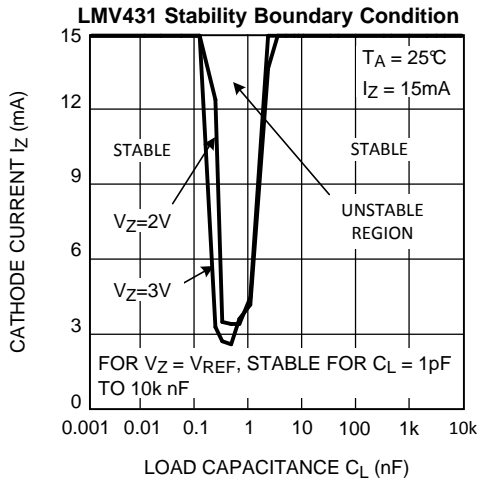


Figure 25.

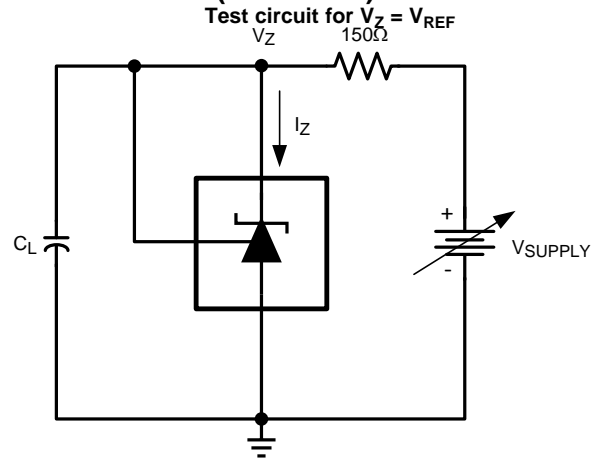


Figure 26.

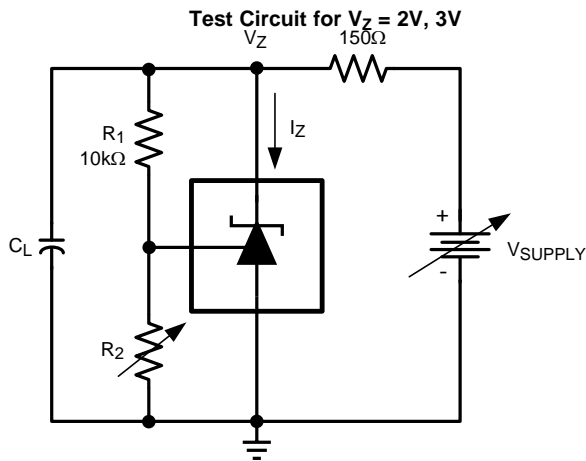
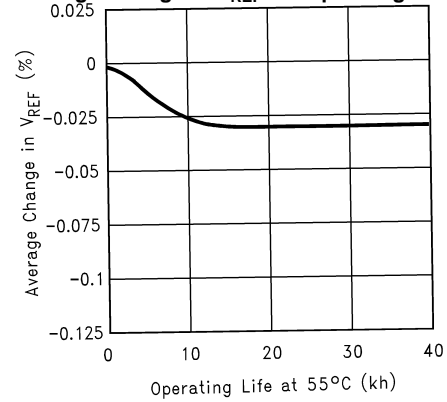


Figure 27.

Percentage Change in V_{REF} vs. Operating Life at $55^\circ C$

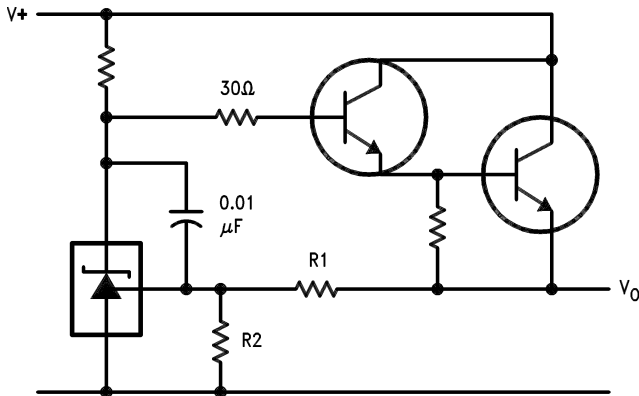


Extrapolated from life-test data taken at $125^\circ C$; the activation energy assumed is $0.7eV$.

Figure 28.

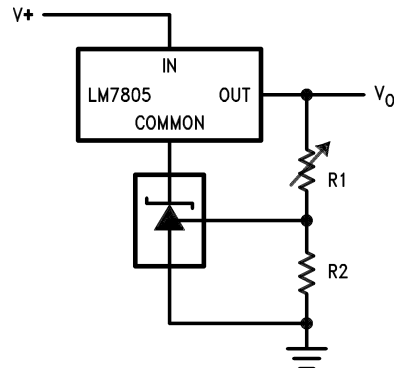
TYPICAL APPLICATIONS

Series Regulator



$$V_O \approx \left(1 + \frac{R1}{R2}\right) V_{REF}$$

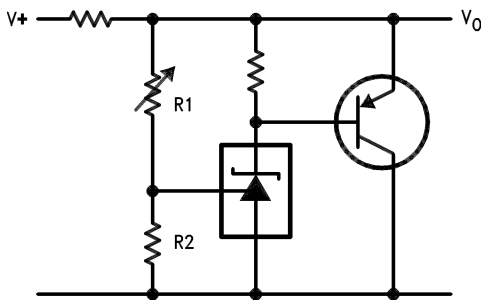
Output Control of a Three Terminal Fixed Regulator



$$V_O = \left(1 + \frac{R1}{R2}\right) V_{REF}$$

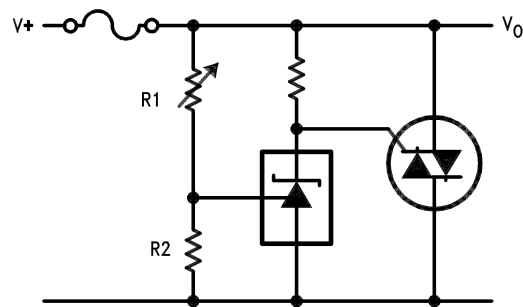
$$V_{O\ MIN} = V_{REF} + 5V$$

Higher Current Shunt Regulator



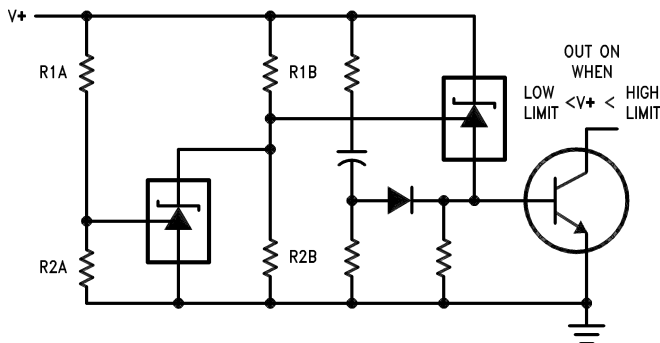
$$V_O \approx \left(1 + \frac{R1}{R2}\right) V_{REF}$$

Crow Bar



$$V_{LIMIT} \approx \left(1 + \frac{R1}{R2}\right) V_{REF}$$

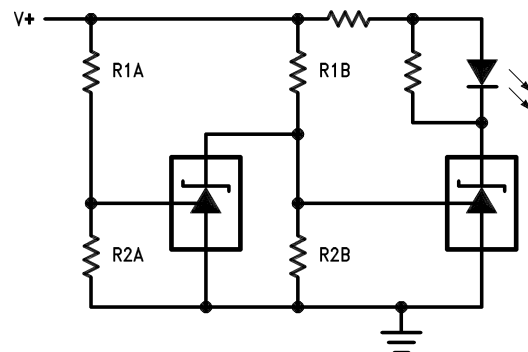
Over Voltage/Under Voltage Protection Circuit



$$LOW\ LIMIT \approx V_{REF} \left(1 + \frac{R1B}{R2B}\right) + V_{BE}$$

$$HIGH\ LIMIT \approx V_{REF} \left(1 + \frac{R1A}{R2A}\right)$$

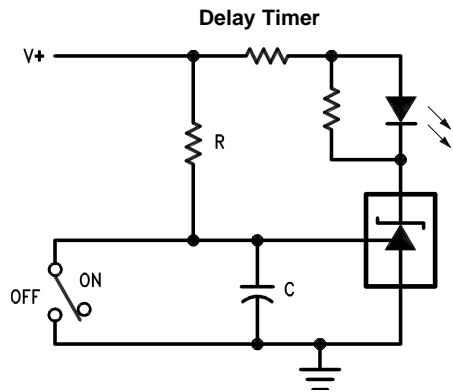
Voltage Monitor



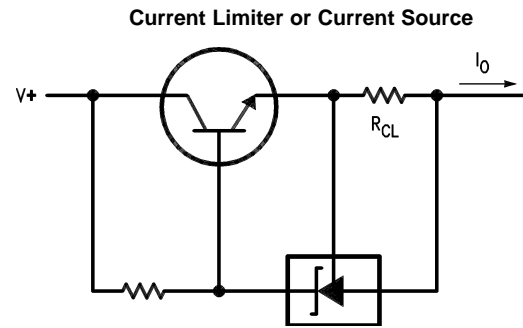
$$LOW\ LIMIT \approx V_{REF} \left(1 + \frac{R1B}{R2B}\right)$$

$$HIGH\ LIMIT \approx V_{REF} \left(1 + \frac{R1A}{R2A}\right)$$

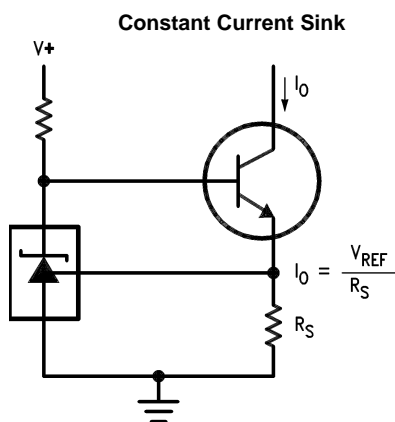
LED ON WHEN LOW LIMIT < V+ < HIGH LIMIT



$$\text{DELAY} = R \cdot C \cdot \ln \frac{V^+}{(V^+) - V_{\text{REF}}}$$



$$I_o = \frac{V_{\text{REF}}}{R_{\text{CL}}}$$



PACKAGING INFORMATION

Orderable Device	Status (1)	Package Type	Package Drawing	Pins	Package Qty	Eco Plan (2)	Lead/Ball Finish	MSL Peak Temp (3)	Op Temp (°C)	Device Marking (4/5)	Samples
LMV431ACM5	ACTIVE	SOT-23	DBV	5	1000	TBD	Call TI	Call TI	-40 to 85	N09A	Samples
LMV431ACM5/NOPB	ACTIVE	SOT-23	DBV	5	1000	Green (RoHS & no Sb/Br)	CU SN	Level-1-260C-UNLIM	-40 to 85	N09A	Samples
LMV431ACM5X	ACTIVE	SOT-23	DBV	5	3000	TBD	Call TI	Call TI	-40 to 85	N09A	Samples
LMV431ACM5X/NOPB	ACTIVE	SOT-23	DBV	5	3000	Green (RoHS & no Sb/Br)	CU SN	Level-1-260C-UNLIM	-40 to 85	N09A	Samples
LMV431AIM5	ACTIVE	SOT-23	DBV	5	1000	TBD	Call TI	Call TI	-40 to 85	N08A	Samples
LMV431AIM5/NOPB	ACTIVE	SOT-23	DBV	5	1000	Green (RoHS & no Sb/Br)	CU SN	Level-1-260C-UNLIM	-40 to 85	N08A	Samples
LMV431AIM5X	ACTIVE	SOT-23	DBV	5	3000	TBD	Call TI	Call TI	-40 to 85	N08A	Samples
LMV431AIM5X/NOPB	ACTIVE	SOT-23	DBV	5	3000	Green (RoHS & no Sb/Br)	CU SN	Level-1-260C-UNLIM	-40 to 85	N08A	Samples
LMV431AIMF	ACTIVE	SOT-23	DBZ	3	1000	TBD	Call TI	Call TI	-40 to 85	RLA	Samples
LMV431AIMF/NOPB	ACTIVE	SOT-23	DBZ	3	1000	Green (RoHS & no Sb/Br)	CU SN	Level-1-260C-UNLIM	-40 to 85	RLA	Samples
LMV431AIMFX	ACTIVE	SOT-23	DBZ	3	3000	TBD	Call TI	Call TI	-40 to 85	RLA	Samples
LMV431AIMFX/NOPB	ACTIVE	SOT-23	DBZ	3	3000	Green (RoHS & no Sb/Br)	CU SN	Level-1-260C-UNLIM	-40 to 85	RLA	Samples
LMV431AIZ/LFT3	ACTIVE	TO-92	LP	3	2000	Green (RoHS & no Sb/Br)	SNCU	Level-1-NA-UNLIM		LMV431 AIZ	Samples
LMV431AIZ/NOPB	ACTIVE	TO-92	LP	3	1800	Green (RoHS & no Sb/Br)	SNCU	Level-1-NA-UNLIM	-40 to 85	LMV431 AIZ	Samples
LMV431BCM5	ACTIVE	SOT-23	DBV	5	1000	TBD	Call TI	Call TI		N09C	Samples
LMV431BCM5/NOPB	ACTIVE	SOT-23	DBV	5	1000	Green (RoHS & no Sb/Br)	CU SN	Level-1-260C-UNLIM		N09C	Samples
LMV431BCM5X	ACTIVE	SOT-23	DBV	5	3000	TBD	Call TI	Call TI		N09C	Samples
LMV431BCM5X/NOPB	ACTIVE	SOT-23	DBV	5	3000	Green (RoHS & no Sb/Br)	CU SN	Level-1-260C-UNLIM		N09C	Samples

Orderable Device	Status (1)	Package Type	Package Drawing	Pins	Package Qty	Eco Plan (2)	Lead/Ball Finish	MSL Peak Temp (3)	Op Temp (°C)	Device Marking (4/5)	Samples
LMV431BIMF	ACTIVE	SOT-23	DBZ	3	1000	TBD	Call TI	Call TI	-40 to 85	RLB	Samples
LMV431BIMF/NOPB	ACTIVE	SOT-23	DBZ	3	1000	Green (RoHS & no Sb/Br)	CU SN	Level-1-260C-UNLIM	-40 to 85	RLB	Samples
LMV431BIMFX	ACTIVE	SOT-23	DBZ	3	3000	TBD	Call TI	Call TI	-40 to 85	RLB	Samples
LMV431BIMFX/NOPB	ACTIVE	SOT-23	DBZ	3	3000	Green (RoHS & no Sb/Br)	CU SN	Level-1-260C-UNLIM	-40 to 85	RLB	Samples
LMV431CM5	ACTIVE	SOT-23	DBV	5	1000	TBD	Call TI	Call TI	0 to 70	N09B	Samples
LMV431CM5/NOPB	ACTIVE	SOT-23	DBV	5	1000	Green (RoHS & no Sb/Br)	CU SN	Level-1-260C-UNLIM	0 to 70	N09B	Samples
LMV431CM5X	ACTIVE	SOT-23	DBV	5	3000	TBD	Call TI	Call TI	0 to 70	N09B	Samples
LMV431CM5X/NOPB	ACTIVE	SOT-23	DBV	5	3000	Green (RoHS & no Sb/Br)	CU SN	Level-1-260C-UNLIM	0 to 70	N09B	Samples
LMV431CZ/NOPB	ACTIVE	TO-92	LP	3	1800	Green (RoHS & no Sb/Br)	SNCU	Level-1-NA-UNLIM	0 to 70	LMV431 CZ	Samples
LMV431IM5	ACTIVE	SOT-23	DBV	5	1000	TBD	Call TI	Call TI	-40 to 85	N08B	Samples
LMV431IM5/NOPB	ACTIVE	SOT-23	DBV	5	1000	Green (RoHS & no Sb/Br)	CU SN	Level-1-260C-UNLIM	-40 to 85	N08B	Samples
LMV431IM5X	ACTIVE	SOT-23	DBV	5	3000	TBD	Call TI	Call TI	-40 to 85	N08B	Samples
LMV431IM5X/NOPB	ACTIVE	SOT-23	DBV	5	3000	Green (RoHS & no Sb/Br)	CU SN	Level-1-260C-UNLIM	-40 to 85	N08B	Samples
LMV431IZ/NOPB	ACTIVE	TO-92	LP	3	1800	Green (RoHS & no Sb/Br)	SNCU	Level-1-NA-UNLIM	-40 to 85	LMV431 IZ	Samples

(1) The marketing status values are defined as follows:

ACTIVE: Product device recommended for new designs.

LIFEBUY: TI has announced that the device will be discontinued, and a lifetime-buy period is in effect.

NRND: Not recommended for new designs. Device is in production to support existing customers, but TI does not recommend using this part in a new design.

PREVIEW: Device has been announced but is not in production. Samples may or may not be available.

OBSOLETE: TI has discontinued the production of the device.

(2) Eco Plan - The planned eco-friendly classification: Pb-Free (RoHS), Pb-Free (RoHS Exempt), or Green (RoHS & no Sb/Br) - please check <http://www.ti.com/productcontent> for the latest availability information and additional product content details.

TBD: The Pb-Free/Green conversion plan has not been defined.

Pb-Free (RoHS): TI's terms "Lead-Free" or "Pb-Free" mean semiconductor products that are compatible with the current RoHS requirements for all 6 substances, including the requirement that lead not exceed 0.1% by weight in homogeneous materials. Where designed to be soldered at high temperatures, TI Pb-Free products are suitable for use in specified lead-free processes.

Pb-Free (RoHS Exempt): This component has a RoHS exemption for either 1) lead-based flip-chip solder bumps used between the die and package, or 2) lead-based die adhesive used between the die and leadframe. The component is otherwise considered Pb-Free (RoHS compatible) as defined above.

Green (RoHS & no Sb/Br): TI defines "Green" to mean Pb-Free (RoHS compatible), and free of Bromine (Br) and Antimony (Sb) based flame retardants (Br or Sb do not exceed 0.1% by weight in homogeneous material)

⁽³⁾ MSL, Peak Temp. -- The Moisture Sensitivity Level rating according to the JEDEC industry standard classifications, and peak solder temperature.

⁽⁴⁾ There may be additional marking, which relates to the logo, the lot trace code information, or the environmental category on the device.

⁽⁵⁾ Multiple Device Markings will be inside parentheses. Only one Device Marking contained in parentheses and separated by a "~" will appear on a device. If a line is indented then it is a continuation of the previous line and the two combined represent the entire Device Marking for that device.

Important Information and Disclaimer: The information provided on this page represents TI's knowledge and belief as of the date that it is provided. TI bases its knowledge and belief on information provided by third parties, and makes no representation or warranty as to the accuracy of such information. Efforts are underway to better integrate information from third parties. TI has taken and continues to take reasonable steps to provide representative and accurate information but may not have conducted destructive testing or chemical analysis on incoming materials and chemicals. TI and TI suppliers consider certain information to be proprietary, and thus CAS numbers and other limited information may not be available for release.

In no event shall TI's liability arising out of such information exceed the total purchase price of the TI part(s) at issue in this document sold by TI to Customer on an annual basis.

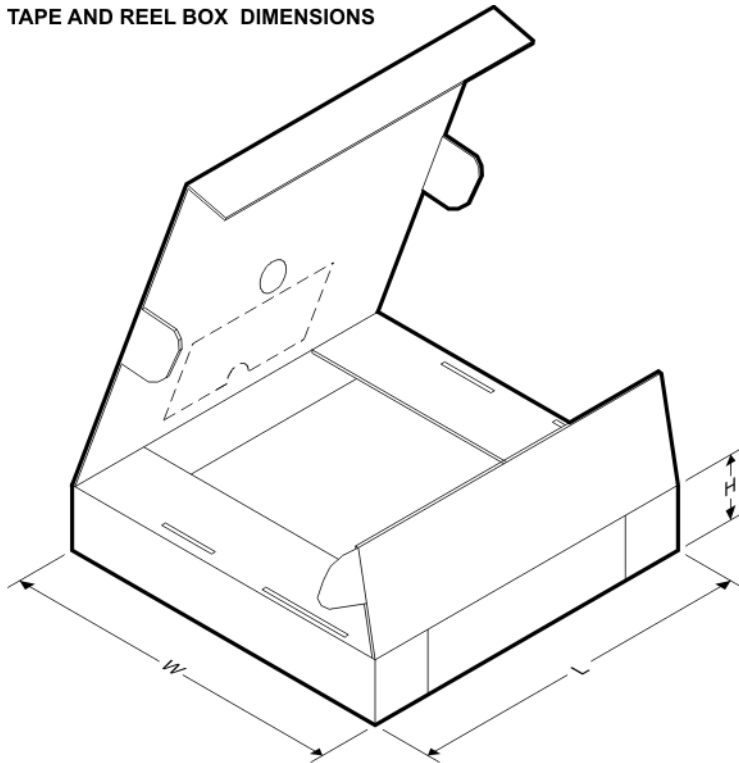
TAPE AND REEL INFORMATION

QUADRANT ASSIGNMENTS FOR PIN 1 ORIENTATION IN TAPE


*All dimensions are nominal

Device	Package Type	Package Drawing	Pins	SPQ	Reel Diameter (mm)	Reel Width W1 (mm)	A0 (mm)	B0 (mm)	K0 (mm)	P1 (mm)	W (mm)	Pin1 Quadrant
LMV431ACM5	SOT-23	DBV	5	1000	178.0	8.4	3.2	3.2	1.4	4.0	8.0	Q3
LMV431ACM5/NOPB	SOT-23	DBV	5	1000	178.0	8.4	3.2	3.2	1.4	4.0	8.0	Q3
LMV431ACM5X	SOT-23	DBV	5	3000	178.0	8.4	3.2	3.2	1.4	4.0	8.0	Q3
LMV431ACM5X/NOPB	SOT-23	DBV	5	3000	178.0	8.4	3.2	3.2	1.4	4.0	8.0	Q3
LMV431AIM5	SOT-23	DBV	5	1000	178.0	8.4	3.2	3.2	1.4	4.0	8.0	Q3
LMV431AIM5/NOPB	SOT-23	DBV	5	1000	178.0	8.4	3.2	3.2	1.4	4.0	8.0	Q3
LMV431AIM5X	SOT-23	DBV	5	3000	178.0	8.4	3.2	3.2	1.4	4.0	8.0	Q3
LMV431AIM5X/NOPB	SOT-23	DBV	5	3000	178.0	8.4	3.2	3.2	1.4	4.0	8.0	Q3
LMV431AIMF	SOT-23	DBZ	3	1000	178.0	8.4	3.3	2.9	1.22	4.0	8.0	Q3
LMV431AIMF/NOPB	SOT-23	DBZ	3	1000	178.0	8.4	3.3	2.9	1.22	4.0	8.0	Q3
LMV431AIMFX	SOT-23	DBZ	3	3000	178.0	8.4	3.3	2.9	1.22	4.0	8.0	Q3
LMV431AIMFX/NOPB	SOT-23	DBZ	3	3000	178.0	8.4	3.3	2.9	1.22	4.0	8.0	Q3
LMV431BCM5	SOT-23	DBV	5	1000	178.0	8.4	3.2	3.2	1.4	4.0	8.0	Q3
LMV431BCM5/NOPB	SOT-23	DBV	5	1000	178.0	8.4	3.2	3.2	1.4	4.0	8.0	Q3
LMV431BCM5X	SOT-23	DBV	5	3000	178.0	8.4	3.2	3.2	1.4	4.0	8.0	Q3
LMV431BCM5X/NOPB	SOT-23	DBV	5	3000	178.0	8.4	3.2	3.2	1.4	4.0	8.0	Q3
LMV431BIMF	SOT-23	DBZ	3	1000	178.0	8.4	3.3	2.9	1.22	4.0	8.0	Q3
LMV431BIMF/NOPB	SOT-23	DBZ	3	1000	178.0	8.4	3.3	2.9	1.22	4.0	8.0	Q3

Device	Package Type	Package Drawing	Pins	SPQ	Reel Diameter (mm)	Reel Width W1 (mm)	A0 (mm)	B0 (mm)	K0 (mm)	P1 (mm)	W (mm)	Pin1 Quadrant
LMV431BIMFX	SOT-23	DBZ	3	3000	178.0	8.4	3.3	2.9	1.22	4.0	8.0	Q3
LMV431BIMFX/NOPB	SOT-23	DBZ	3	3000	178.0	8.4	3.3	2.9	1.22	4.0	8.0	Q3
LMV431CM5	SOT-23	DBV	5	1000	178.0	8.4	3.2	3.2	1.4	4.0	8.0	Q3
LMV431CM5/NOPB	SOT-23	DBV	5	1000	178.0	8.4	3.2	3.2	1.4	4.0	8.0	Q3
LMV431CM5X	SOT-23	DBV	5	3000	178.0	8.4	3.2	3.2	1.4	4.0	8.0	Q3
LMV431CM5X/NOPB	SOT-23	DBV	5	3000	178.0	8.4	3.2	3.2	1.4	4.0	8.0	Q3
LMV431IM5	SOT-23	DBV	5	1000	178.0	8.4	3.2	3.2	1.4	4.0	8.0	Q3
LMV431IM5/NOPB	SOT-23	DBV	5	1000	178.0	8.4	3.2	3.2	1.4	4.0	8.0	Q3
LMV431IM5X	SOT-23	DBV	5	3000	178.0	8.4	3.2	3.2	1.4	4.0	8.0	Q3
LMV431IM5X/NOPB	SOT-23	DBV	5	3000	178.0	8.4	3.2	3.2	1.4	4.0	8.0	Q3

TAPE AND REEL BOX DIMENSIONS


*All dimensions are nominal

Device	Package Type	Package Drawing	Pins	SPQ	Length (mm)	Width (mm)	Height (mm)
LMV431ACM5	SOT-23	DBV	5	1000	210.0	185.0	35.0
LMV431ACM5/NOPB	SOT-23	DBV	5	1000	210.0	185.0	35.0
LMV431ACM5X	SOT-23	DBV	5	3000	210.0	185.0	35.0
LMV431ACM5X/NOPB	SOT-23	DBV	5	3000	210.0	185.0	35.0
LMV431AIM5	SOT-23	DBV	5	1000	210.0	185.0	35.0
LMV431AIM5/NOPB	SOT-23	DBV	5	1000	210.0	185.0	35.0
LMV431AIM5X	SOT-23	DBV	5	3000	210.0	185.0	35.0

Device	Package Type	Package Drawing	Pins	SPQ	Length (mm)	Width (mm)	Height (mm)
LMV431AIM5X/NOPB	SOT-23	DBV	5	3000	210.0	185.0	35.0
LMV431AIMF	SOT-23	DBZ	3	1000	210.0	185.0	35.0
LMV431AIMF/NOPB	SOT-23	DBZ	3	1000	210.0	185.0	35.0
LMV431AIMFX	SOT-23	DBZ	3	3000	210.0	185.0	35.0
LMV431AIMFX/NOPB	SOT-23	DBZ	3	3000	210.0	185.0	35.0
LMV431BCM5	SOT-23	DBV	5	1000	210.0	185.0	35.0
LMV431BCM5/NOPB	SOT-23	DBV	5	1000	210.0	185.0	35.0
LMV431BCM5X	SOT-23	DBV	5	3000	210.0	185.0	35.0
LMV431BCM5X/NOPB	SOT-23	DBV	5	3000	210.0	185.0	35.0
LMV431BIMF	SOT-23	DBZ	3	1000	210.0	185.0	35.0
LMV431BIMF/NOPB	SOT-23	DBZ	3	1000	210.0	185.0	35.0
LMV431BIMFX	SOT-23	DBZ	3	3000	210.0	185.0	35.0
LMV431BIMFX/NOPB	SOT-23	DBZ	3	3000	210.0	185.0	35.0
LMV431CM5	SOT-23	DBV	5	1000	210.0	185.0	35.0
LMV431CM5/NOPB	SOT-23	DBV	5	1000	210.0	185.0	35.0
LMV431CM5X	SOT-23	DBV	5	3000	210.0	185.0	35.0
LMV431CM5X/NOPB	SOT-23	DBV	5	3000	210.0	185.0	35.0
LMV431IM5	SOT-23	DBV	5	1000	210.0	185.0	35.0
LMV431IM5/NOPB	SOT-23	DBV	5	1000	210.0	185.0	35.0
LMV431IM5X	SOT-23	DBV	5	3000	210.0	185.0	35.0
LMV431IM5X/NOPB	SOT-23	DBV	5	3000	210.0	185.0	35.0

DBV (R-PDSO-G5)

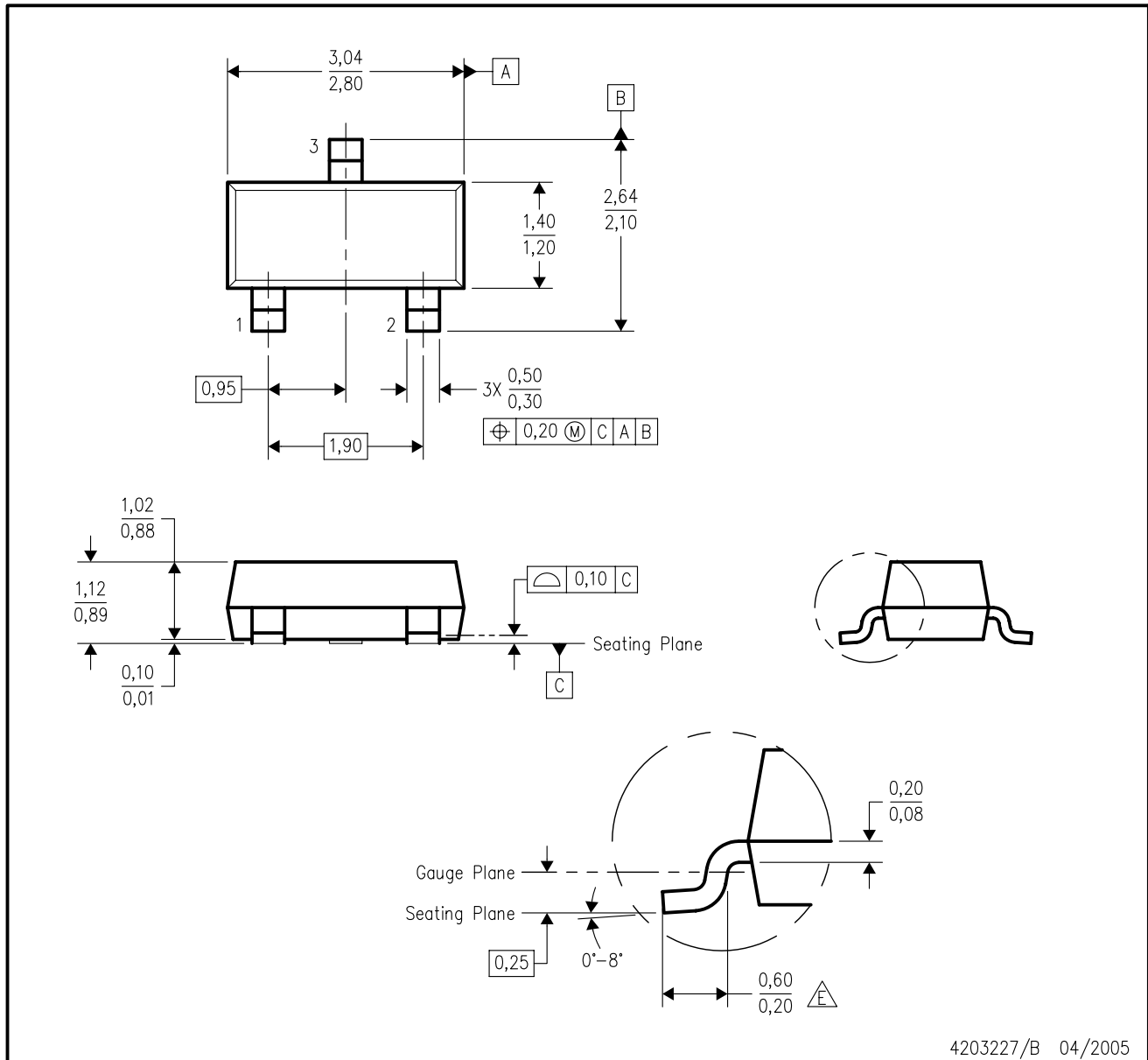
PLASTIC SMALL OUTLINE



- NOTES:
- A. All linear dimensions are in millimeters.
 - B. This drawing is subject to change without notice.
 - C. Customers should place a note on the circuit board fabrication drawing not to alter the center solder mask defined pad.
 - D. Publication IPC-7351 is recommended for alternate designs.
 - E. Laser cutting apertures with trapezoidal walls and also rounding corners will offer better paste release. Customers should contact their board assembly site for stencil design recommendations. Example stencil design based on a 50% volumetric metal load solder paste. Refer to IPC-7525 for other stencil recommendations.

DBZ (R-PDSO-G3)

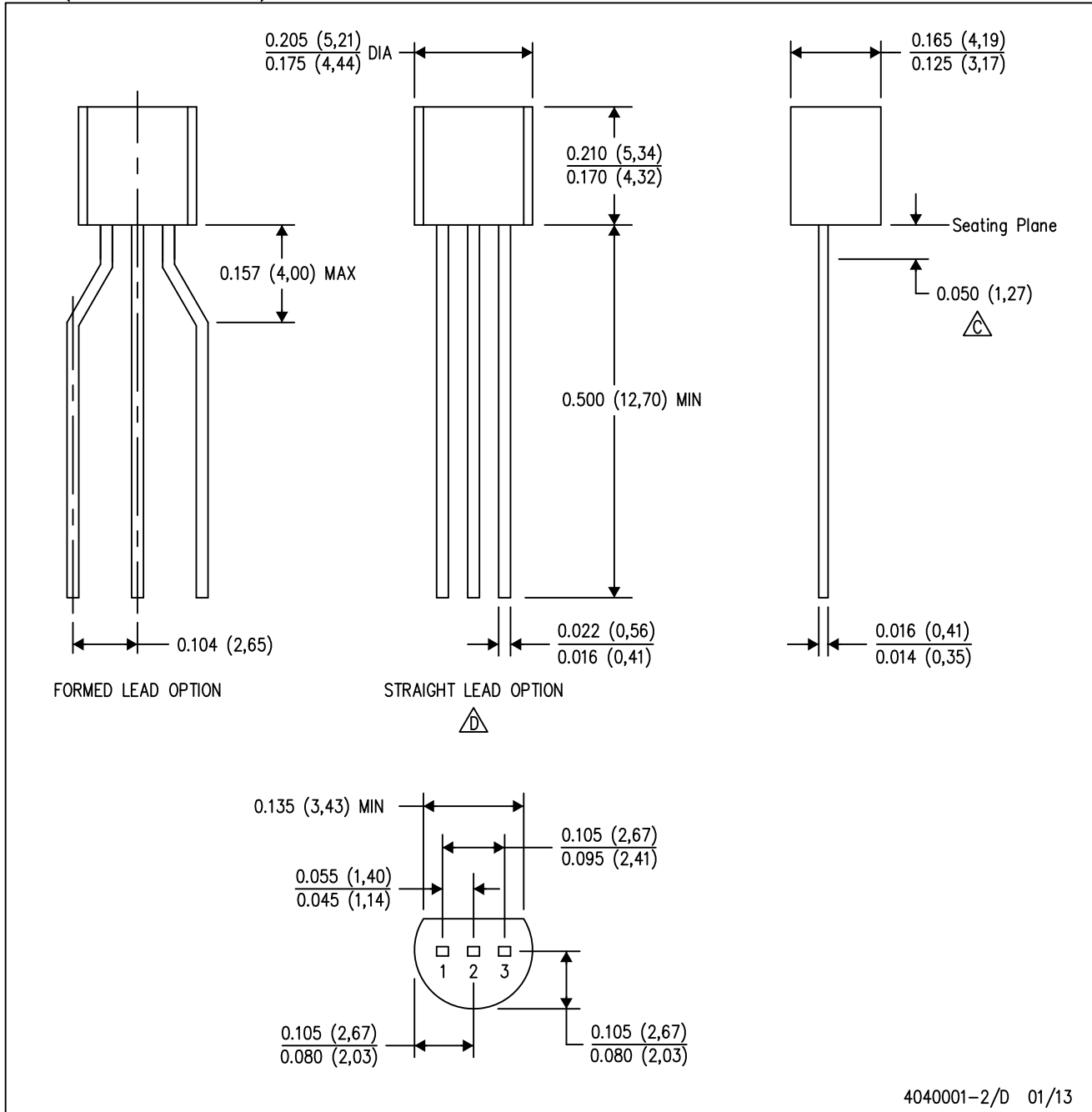
PLASTIC SMALL-OUTLINE



- NOTES:
- A. All linear dimensions are in millimeters. Dimensioning and tolerancing per ASME Y14.5M-1994.
 - B. This drawing is subject to change without notice.
 - C. Lead dimensions are inclusive of plating.
 - D. Body dimensions are exclusive of mold flash and protrusion. Mold flash and protrusion not to exceed 0.25 per side.
- Falls within JEDEC TO-236 variation AB, except minimum foot length.

LP (O-PBCY-W3)

PLASTIC CYLINDRICAL PACKAGE



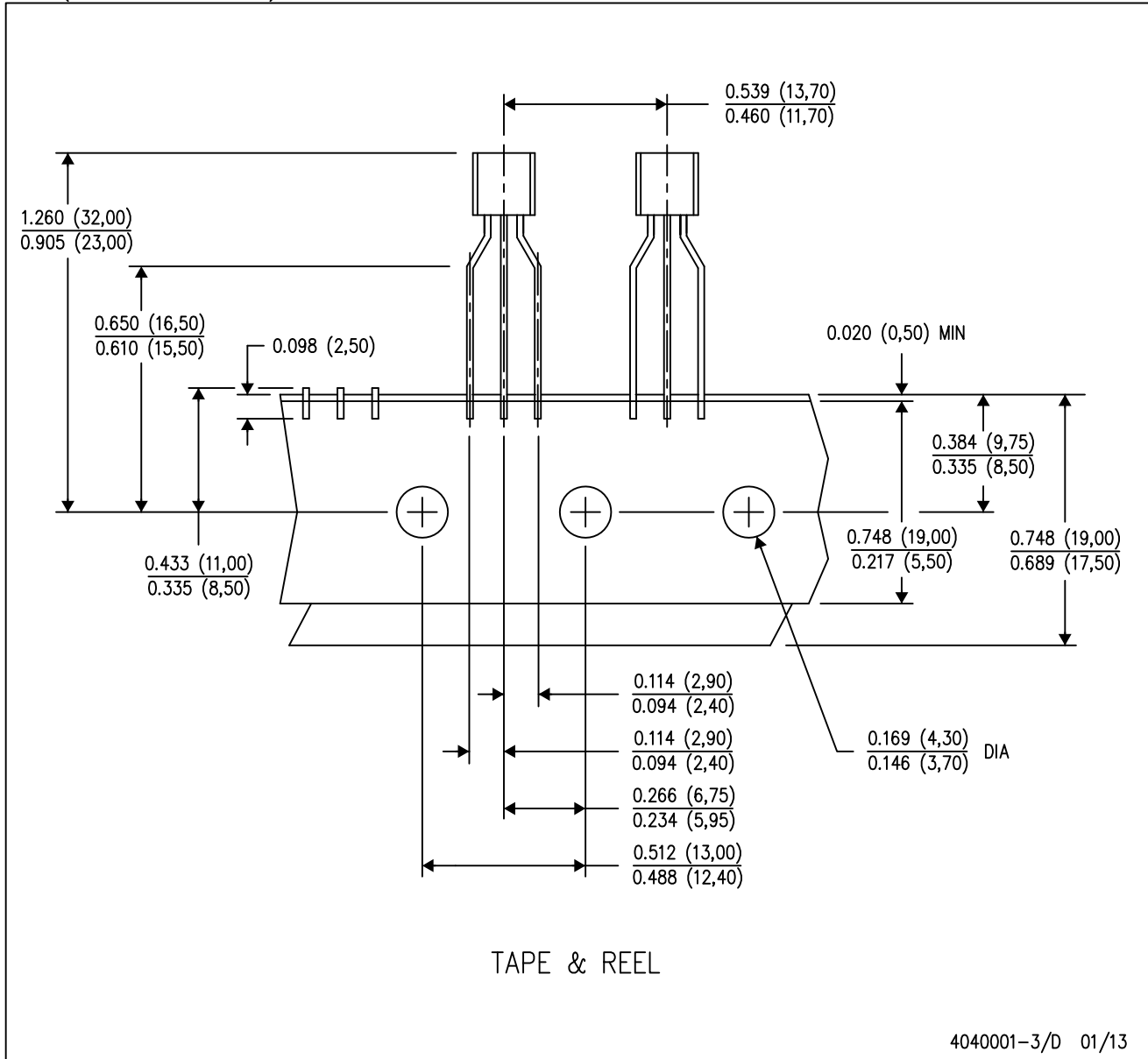
4040001-2/D 01/13

- NOTES:
- All linear dimensions are in inches (millimeters).
 - This drawing is subject to change without notice.
 - $\triangle C$ Lead dimensions are not controlled within this area.
 - $\triangle D$ Falls within JEDEC TO-226 Variation AA (TO-226 replaces TO-92).
 - Shipping Method:
 - Straight lead option available in either bulk pack or tape & reel.
 - Formed lead option available in tape & reel or ammo pack.
 - Specific products can be offered in limited combinations of shipping mediums and lead options.
 - Consult product folder for more information on available options.

MECHANICAL DATA

LP (O-PBCY-W3)

PLASTIC CYLINDRICAL PACKAGE



- NOTES:
- All linear dimensions are in inches (millimeters).
 - This drawing is subject to change without notice.
 - Tape and Reel information for the Formed Lead Option package.

IMPORTANT NOTICE

Texas Instruments Incorporated and its subsidiaries (TI) reserve the right to make corrections, enhancements, improvements and other changes to its semiconductor products and services per JESD46, latest issue, and to discontinue any product or service per JESD48, latest issue. Buyers should obtain the latest relevant information before placing orders and should verify that such information is current and complete. All semiconductor products (also referred to herein as "components") are sold subject to TI's terms and conditions of sale supplied at the time of order acknowledgment.

TI warrants performance of its components to the specifications applicable at the time of sale, in accordance with the warranty in TI's terms and conditions of sale of semiconductor products. Testing and other quality control techniques are used to the extent TI deems necessary to support this warranty. Except where mandated by applicable law, testing of all parameters of each component is not necessarily performed.

TI assumes no liability for applications assistance or the design of Buyers' products. Buyers are responsible for their products and applications using TI components. To minimize the risks associated with Buyers' products and applications, Buyers should provide adequate design and operating safeguards.

TI does not warrant or represent that any license, either express or implied, is granted under any patent right, copyright, mask work right, or other intellectual property right relating to any combination, machine, or process in which TI components or services are used. Information published by TI regarding third-party products or services does not constitute a license to use such products or services or a warranty or endorsement thereof. Use of such information may require a license from a third party under the patents or other intellectual property of the third party, or a license from TI under the patents or other intellectual property of TI.

Reproduction of significant portions of TI information in TI data books or data sheets is permissible only if reproduction is without alteration and is accompanied by all associated warranties, conditions, limitations, and notices. TI is not responsible or liable for such altered documentation. Information of third parties may be subject to additional restrictions.

Resale of TI components or services with statements different from or beyond the parameters stated by TI for that component or service voids all express and any implied warranties for the associated TI component or service and is an unfair and deceptive business practice. TI is not responsible or liable for any such statements.

Buyer acknowledges and agrees that it is solely responsible for compliance with all legal, regulatory and safety-related requirements concerning its products, and any use of TI components in its applications, notwithstanding any applications-related information or support that may be provided by TI. Buyer represents and agrees that it has all the necessary expertise to create and implement safeguards which anticipate dangerous consequences of failures, monitor failures and their consequences, lessen the likelihood of failures that might cause harm and take appropriate remedial actions. Buyer will fully indemnify TI and its representatives against any damages arising out of the use of any TI components in safety-critical applications.

In some cases, TI components may be promoted specifically to facilitate safety-related applications. With such components, TI's goal is to help enable customers to design and create their own end-product solutions that meet applicable functional safety standards and requirements. Nonetheless, such components are subject to these terms.

No TI components are authorized for use in FDA Class III (or similar life-critical medical equipment) unless authorized officers of the parties have executed a special agreement specifically governing such use.

Only those TI components which TI has specifically designated as military grade or "enhanced plastic" are designed and intended for use in military/aerospace applications or environments. Buyer acknowledges and agrees that any military or aerospace use of TI components which have **not** been so designated is solely at the Buyer's risk, and that Buyer is solely responsible for compliance with all legal and regulatory requirements in connection with such use.

TI has specifically designated certain components as meeting ISO/TS16949 requirements, mainly for automotive use. In any case of use of non-designated products, TI will not be responsible for any failure to meet ISO/TS16949.

Products

Audio	www.ti.com/audio
Amplifiers	amplifier.ti.com
Data Converters	dataconverter.ti.com
DLP® Products	www.dlp.com
DSP	dsp.ti.com
Clocks and Timers	www.ti.com/clocks
Interface	interface.ti.com
Logic	logic.ti.com
Power Mgmt	power.ti.com
Microcontrollers	microcontroller.ti.com
RFID	www.ti-rfid.com
OMAP Applications Processors	www.ti.com/omap
Wireless Connectivity	www.ti.com/wirelessconnectivity

Applications

Automotive and Transportation	www.ti.com/automotive
Communications and Telecom	www.ti.com/communications
Computers and Peripherals	www.ti.com/computers
Consumer Electronics	www.ti.com/consumer-apps
Energy and Lighting	www.ti.com/energy
Industrial	www.ti.com/industrial
Medical	www.ti.com/medical
Security	www.ti.com/security
Space, Avionics and Defense	www.ti.com/space-avionics-defense
Video and Imaging	www.ti.com/video

TI E2E Community

e2e.ti.com