

DATA SHEET

74HCT9046A

PLL with band gap controlled VCO

Product specification
Supersedes data of 2003 May 15

2003 Oct 30

PLL with band gap controlled VCO

74HCT9046A

FEATURES

- Operation power supply voltage range from 4.5 to 5.5 V
- Low power consumption
- Inhibit control for ON/OFF keying and for low standby power consumption
- Centre frequency up to 17 MHz (typical) at $V_{CC} = 5.5$ V
- Choice of two phase comparators:
 - PC1: EXCLUSIVE-OR
 - PC2: Edge-triggered JK flip-flop.
- No dead zone of PC2
- Charge pump output on PC2, whose current is set by an external resistor R_b
- Centre frequency tolerance $\pm 10\%$
- Excellent Voltage Controlled Oscillator (VCO) linearity
- Low frequency drift with supply voltage and temperature variations
- On-chip band gap reference
- Glitch free operation of VCO, even at very low frequencies
- Zero voltage offset due to op-amp buffering
- ESD protection:
 - HBM EIA/JESD22-A114-A exceeds 2000 V
 - MM EIA/JESD22-A115-A exceeds 200 V.

APPLICATIONS

- FM modulation and demodulation where a small centre frequency tolerance is essential
- Frequency synthesis and multiplication where a low jitter is required (e.g. video picture-in-picture)
- Frequency discrimination
- Tone decoding
- Data synchronization and conditioning
- Voltage-to-frequency conversion
- Motor-speed control.

GENERAL DESCRIPTION

The 74HCT9046A is a high-speed Si-gate CMOS device. It is specified in compliance with JEDEC standard no 7A.

QUICK REFERENCE DATA

$GND = 0$ V; $T_{amb} = 25$ °C; $t_r = t_f \leq 6$ ns.

| SYMBOL | PARAMETER | CONDITIONS | TYPICAL | UNIT |
|----------|---|--|---------|------|
| f_c | VCO centre frequency | $C_1 = 40$ pF; $R_1 = 3$ k Ω ; $V_{CC} = 5$ V | 16 | MHz |
| C_I | input capacitance | | 3.5 | pF |
| C_{PD} | power dissipation capacitance per package | notes 1 and 2 | 20 | pF |

Notes

1. C_{PD} is used to determine the dynamic power dissipation (P_D in μ W).
 $P_D = C_{PD} \times V_{CC}^2 \times f_i \times N + \Sigma(C_L \times V_{CC}^2 \times f_o)$ where:
 f_i = input frequency in MHz;
 f_o = output frequency in MHz;
 C_L = output load capacitance in pF;
 V_{CC} = supply voltage in Volts;
 N = total load switching outputs;
 $\Sigma(C_L \times V_{CC}^2 \times f_o)$ = sum of the outputs.
2. Applies to the phase comparator section only (pin INH = HIGH). For power dissipation of the VCO and demodulator sections, see Figs 26 to 28.

PLL with band gap controlled VCO

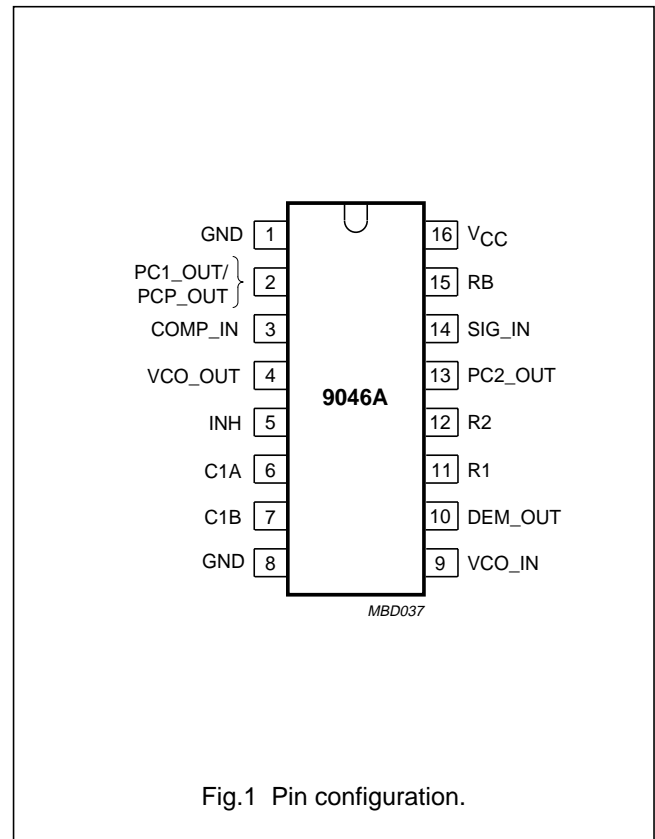
74HCT9046A

ORDERING INFORMATION

| TYPE NUMBER | PACKAGE | | | |
|--------------|---------|---------|----------|----------|
| | PINS | PACKAGE | MATERIAL | CODE |
| 74HCT9046AN | 16 | DIP16 | plastic | SOT38-1 |
| 74HCT9046AD | 16 | SO16 | plastic | SOT109-1 |
| 74HCT9046APW | 16 | TSSOP16 | plastic | SOT403-1 |

PINNING

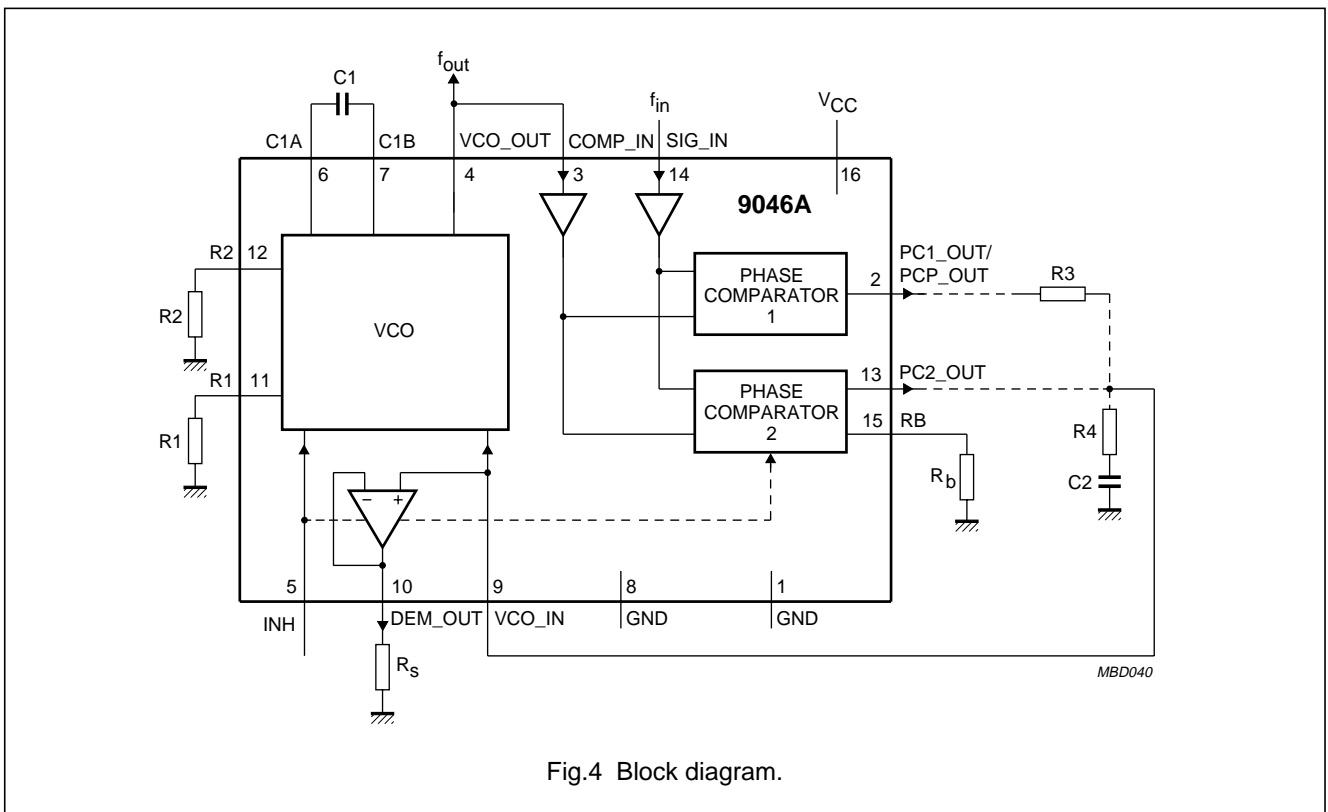
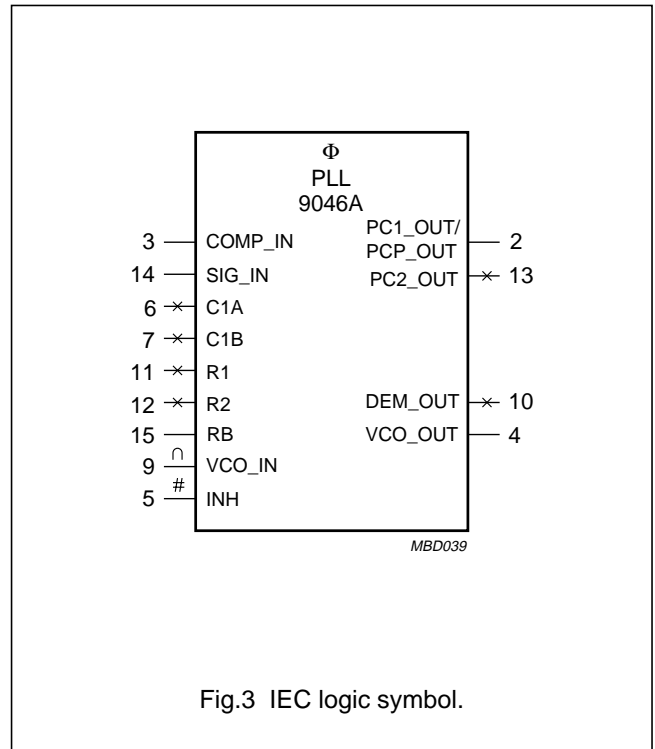
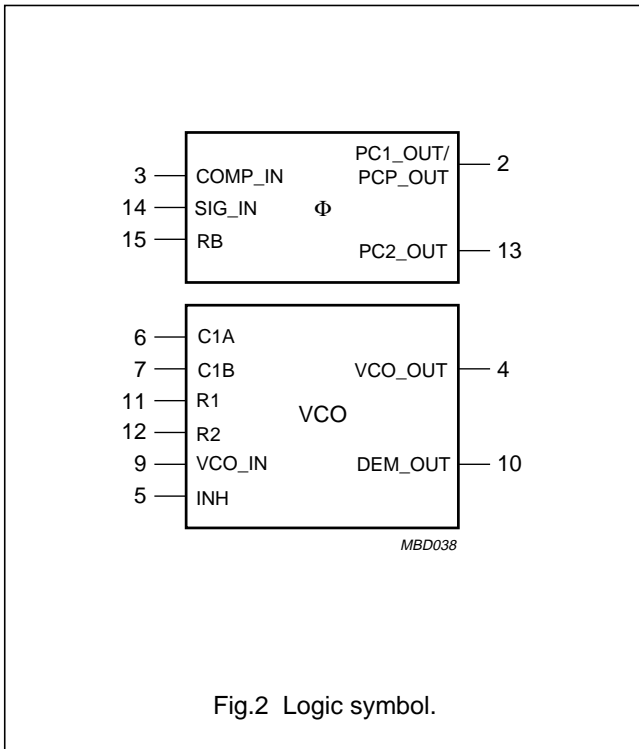
| PIN | SYMBOL | DESCRIPTION |
|-----|---------------------|---|
| 1 | GND | ground (0 V) of phase comparators |
| 2 | PC1_OUT/ PCP_OUT | phase comparator 1 output or phase comparator pulse output |
| 3 | COMP_IN | comparator input |
| 4 | VCO_OUT | VCO output |
| 5 | INH | inhibit input |
| 6 | C1A | capacitor C1 connection A |
| 7 | C1B | capacitor C1 connection B |
| 8 | GND | ground (0 V) VCO |
| 9 | VCO_IN | VCO input |
| 10 | DEM_OUT | demodulator output |
| 11 | R1 | resistor R1 connection |
| 12 | R2 | resistor R2 connection |
| 13 | PC2_OUT | phase comparator 2 output; current source adjustable with R_b |
| 14 | SIG_IN | signal input |
| 15 | RB | bias resistor (R_b) connection |
| 16 | V _{CC} | supply voltage |



PLL with band gap controlled VCO

74HCT9046A

LOGIC AND FUNCTIONAL SYMBOLS AND DIAGRAMS



PLL with band gap controlled VCO

74HCT9046A

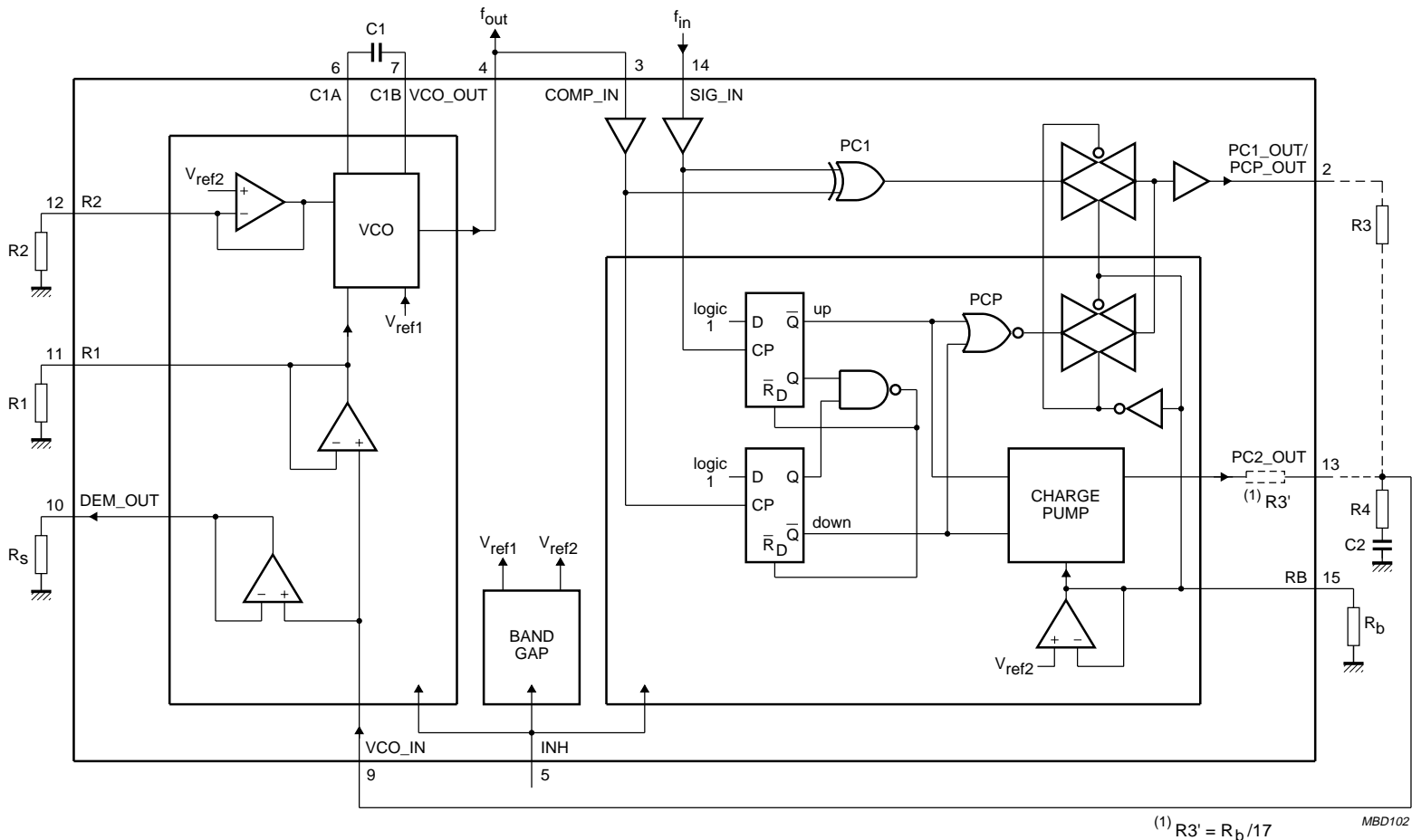


Fig.5 Logic diagram.

PLL with band gap controlled VCO

74HCT9046A

FUNCTIONAL DESCRIPTION

The 74HCT9046A is a phase-locked-loop circuit that comprises a linear VCO and two different phase comparators (PC1 and PC2) with a common signal input amplifier and a common comparator input (see Fig.4). The signal input can be directly coupled to large voltage signals (CMOS level), or indirectly coupled (with a series capacitor) to small voltage signals. A self-bias input circuit keeps small voltage signals within the linear region of the input amplifiers. With a passive low-pass filter, the 74HCT9046A forms a second-order loop PLL.

The principle of this phase-locked-loop is based on the familiar 74HCT4046A. However extra features are built-in, allowing very high-performance phase-locked-loop applications. This is done, at the expense of PC3, which is skipped in this 74HCT9046A. The PC2 is equipped with a current source output stage here. Further a band gap is applied for all internal references, allowing a small centre frequency tolerance. The details are summed up in the next section: "Differences with respect to the familiar 74HCT4046A". If one is familiar with the 74HCT4046A already, it will do to read this section only.

Differences with respect to the familiar 74HCT4046A

- A centre frequency tolerance of maximum $\pm 10\%$.
 - The on board band gap sets the internal references resulting in a minimal frequency shift at supply voltage variations and temperature variations.
 - The value of the frequency offset is determined by an internal reference voltage of 2.5 V instead of $V_{CC} - 0.7$ V. In this way the offset frequency will not shift over the supply voltage range.
 - A current switch charge pump output on pin PC2_OUT allows a virtually ideal performance of PC2. The gain of PC2 is independent of the voltage across the low-pass filter. Further a passive low-pass filter in the loop achieves an active performance. The influence of the parasitic capacitance of the PC2 output plays no role here, resulting in a true correspondence of the output correction pulse and the phase difference even up to phase differences as small as a few nanoseconds.
 - Because of its linear performance without dead zone, higher impedance values for the filter, hence lower C-values, can now be chosen. Correct operation will not be influenced by parasitic capacitances as in the instance with voltage source output of the 4046A.
- No PC3 on pin RB but instead a resistor connected to GND, which sets the load/unload currents of the charge pump (PC2).
 - Extra GND pin 1 to allow an excellent FM demodulator performance even at 10 MHz and higher.
 - Combined function of pin PC1_OUT/PCP_OUT. If pin RB is connected to V_{CC} (no bias resistor R_b) pin PC1_OUT/PCP_OUT has its familiar function viz. output of PC1. If at pin RB a resistor (R_b) is connected to GND it is assumed that PC2 has been chosen as phase comparator. Connection of R_b is sensed by internal circuitry and this changes the function of pin PC1_OUT/PCP_OUT into a lock detect output (PCP_OUT) with the same characteristics as PCP_OUT of pin 1 of the 74HCT4046A.
 - The inhibit function differs. For the HCT4046A a HIGH level at the inhibit input (pin INH) disables the VCO and demodulator, while a LOW level turns both on. For the 74HCT9046A a HIGH level on the inhibit input disables the whole circuit to minimize standby power consumption.

VCO

The VCO requires one external capacitor C1 (between pins C1A and C1B) and one external resistor R1 (between pins R1 and GND) or two external resistors R1 and R2 (between pins R1 and GND, and R2 and GND). Resistor R1 and capacitor C1 determine the frequency range of the VCO. Resistor R2 enables the VCO to have a frequency offset if required (see Fig.5).

The high input impedance of the VCO simplifies the design of the low-pass filters by giving the designer a wide choice of resistor/capacitor ranges. In order not to load the low-pass filter, a demodulator output of the VCO input voltage is provided at pin DEM_OUT. The DEM_OUT voltage equals that of the VCO input. If DEM_OUT is used, a load resistor (R_s) should be connected from pin DEM_OUT to GND; if unused, DEM_OUT should be left open. The VCO output (pin VCO_OUT) can be connected directly to the comparator input (pin COMP_IN), or connected via a frequency divider. The output signal has a duty factor of 50% (maximum expected deviation 1%), if the VCO input is held at a constant DC level. A LOW level at the inhibit input (pin INH) enables the VCO and demodulator, while a HIGH level turns both off to minimize standby power consumption.

PLL with band gap controlled VCO

74HCT9046A

Phase comparators

The signal input (pin SIG_IN) can be directly coupled to the self-biasing amplifier at pin SIG_IN, provided that the signal swing is between the standard HC family input logic levels. Capacitive coupling is required for signals with smaller swings.

PHASE COMPARATOR 1 (PC1)

This circuit is an EXCLUSIVE-OR network. The signal and comparator input frequencies (f_i) must have a 50% duty factor to obtain the maximum locking range. The transfer characteristic of PC1, assuming ripple ($f_r = 2f_i$)

is suppressed, is:
$$V_{DEM_OUT} = \frac{V_{CC}}{\pi} (\Phi_{SIG_IN} - \Phi_{COMP_IN})$$

where:

V_{DEM_OUT} is the demodulator output at pin DEM_OUT.

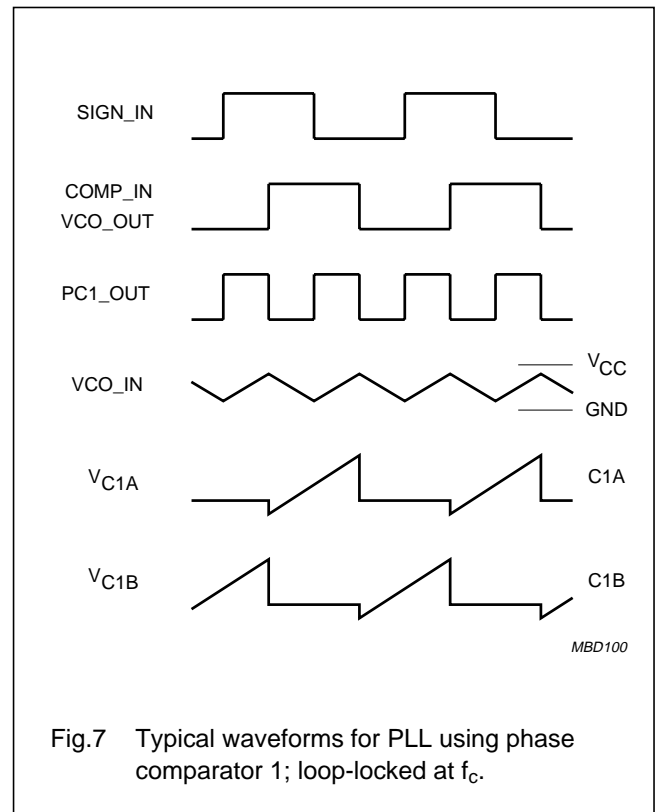
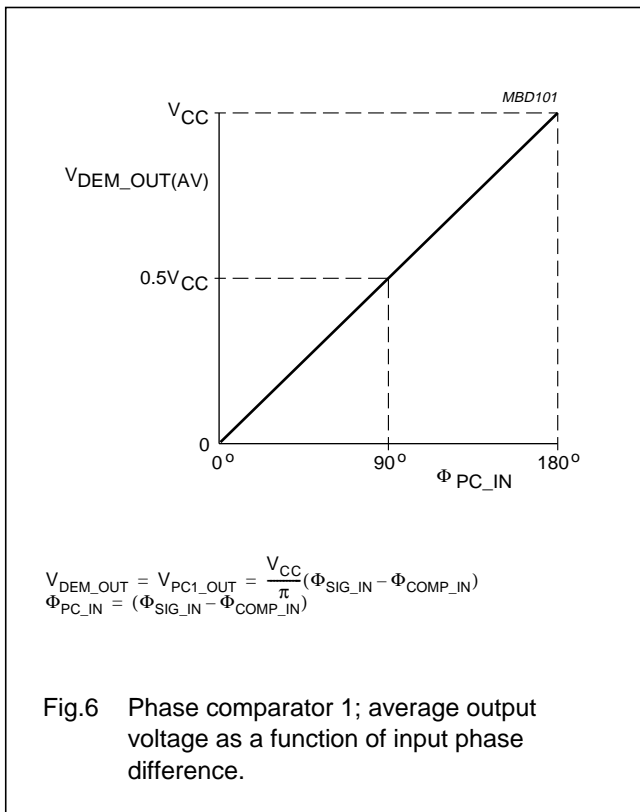
$V_{DEM_OUT} = V_{PC1_OUT}$ (via low-pass).

The phase comparator gain is:
$$K_p = \frac{V_{CC}}{\pi} (V/r)$$

The average output voltage from PC1, fed to the VCO input via the low-pass filter and seen at the demodulator output at pin DEM_OUT (V_{DEM_OUT}), is the resultant of the phase differences of signals (SIG_IN) and the comparator input (COMP_IN) as shown in Fig.6. The average of V_{DEM_OUT} is equal to $0.5V_{CC}$ when there is no signal or noise at SIG_IN and with this input the VCO oscillates at the centre frequency (f_c). Typical waveforms for the PC1 loop locked at f_c are shown in Fig.7. This figure also shows the actual waveforms across the VCO capacitor at pins C1A and C1B (V_{C1A} and V_{C1B}) to show the relation between these ramps and the VCO_OUT voltage.

The frequency capture range ($2f_c$) is defined as the frequency range of input signals on which the PLL will lock if it was initially out-of-lock. The frequency lock range ($2f_L$) is defined as the frequency range of the input signals on which the loop will stay locked if it was initially in lock. The capture range is smaller or equal to the lock range.

With PC1, the capture range depends on the low-pass filter characteristics and can be made as large as the lock range. This configuration remains locked even with very noisy input signals. Typical behaviour of this type of phase comparator is that it may lock to input frequencies close to the harmonics of the VCO centre frequency.



PLL with band gap controlled VCO

74HCT9046A

PHASE COMPARATOR 2 (PC2)

This is a positive edge-triggered phase and frequency detector. When the PLL is using this comparator, the loop is controlled by positive signal transitions and the duty factors of SIG_IN and COMP_IN are not important. PC2 comprises two D-type flip-flops, control gating and a 3-state output stage with sink and source transistors acting as current sources, henceforth called charge pump output of PC2. The circuit functions as an up-down counter (see Fig.5) where SIG_IN causes an up-count and COMP_IN a down count. The current switch charge pump output allows a virtually ideal performance of PC2, due to appliance of some pulse overlap of the up and down signals. See Fig.8a.

The pump current I_p is independent from the supply voltage and is set by the internal band gap reference of 2.5 V.

$$I_p = 17 \times \frac{2.5}{R_b} (A)$$

Where R_b is the external bias resistor between pin RB and ground.

The current and voltage transfer function of PC2 are shown in Fig.9.

The phase comparator gain is:

$$K_p = \frac{|I_p|}{2\pi} (A/r)$$

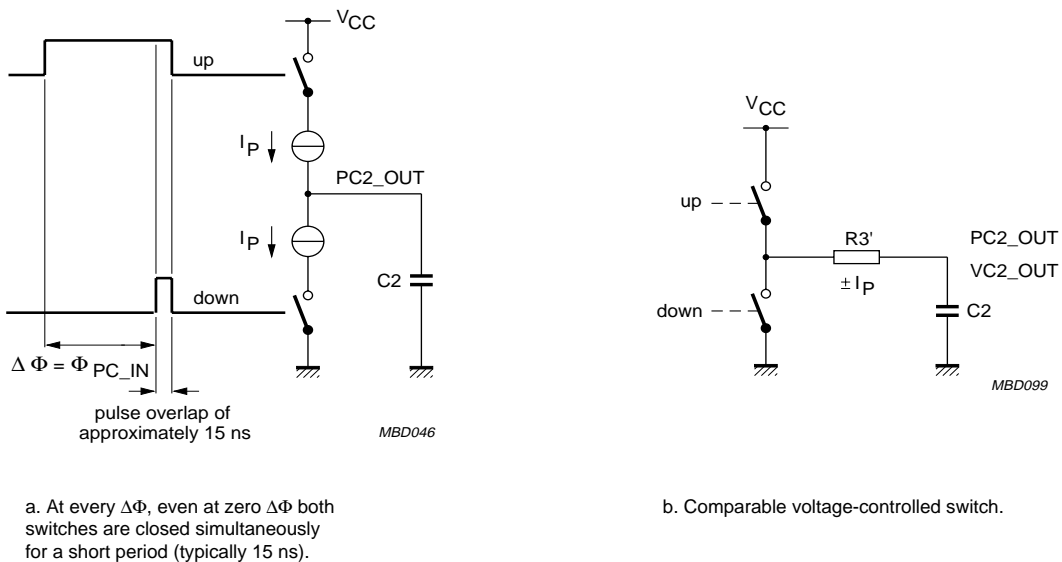
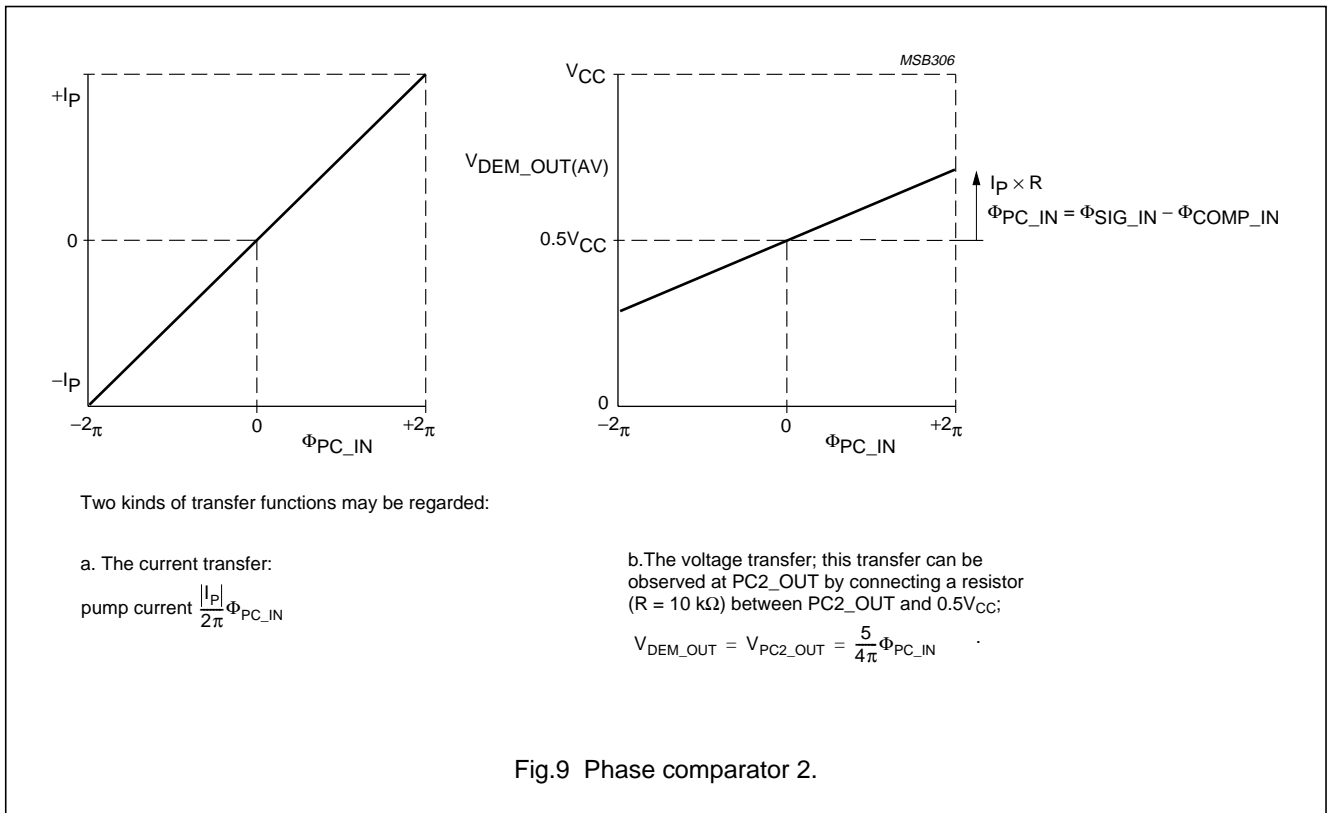


Fig.8 The current switch charge pump output of PC2.

PLL with band gap controlled VCO

74HCT9046A



When the frequencies of SIG_IN and COMP_IN are equal but the phase of SIG_IN leads that of COMP_IN, the up output driver at PC2_OUT is held 'ON' for a time corresponding to the phase difference (Φ_{PC_IN}). When the phase of SIG_IN lags that of COMP_IN, the down or sink driver is held 'ON'.

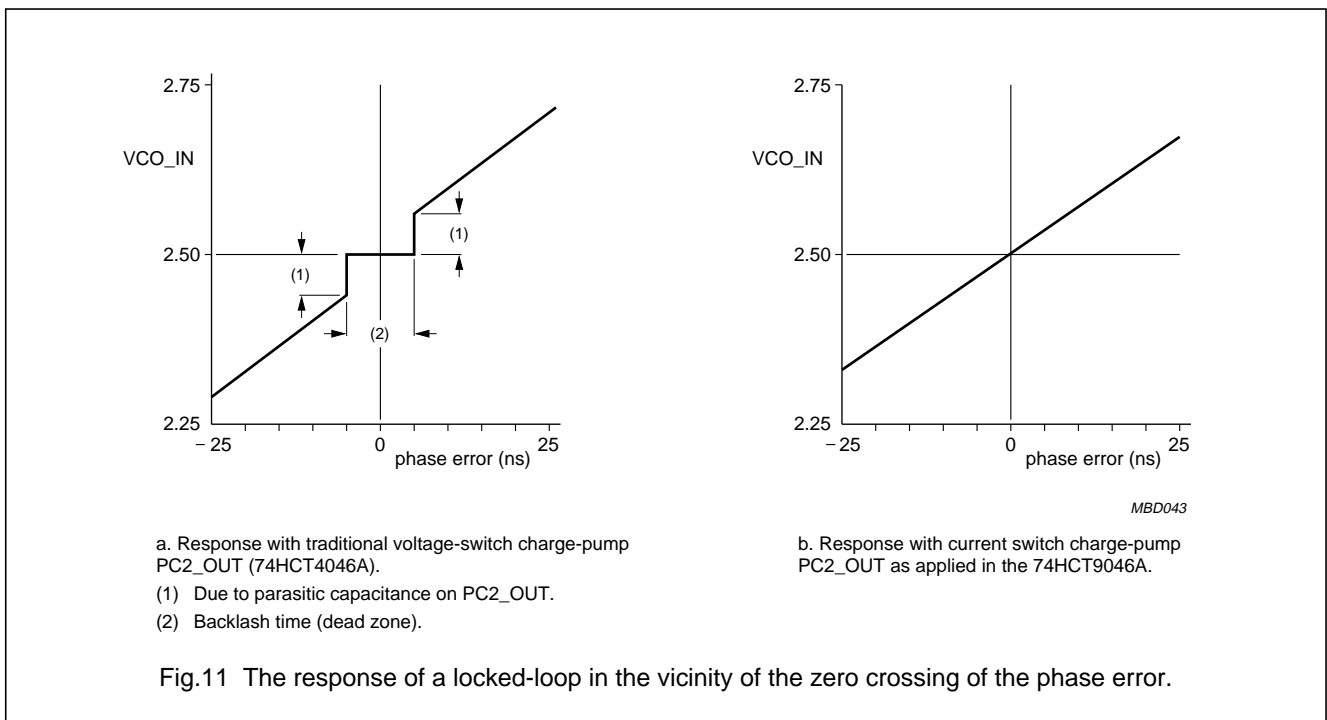
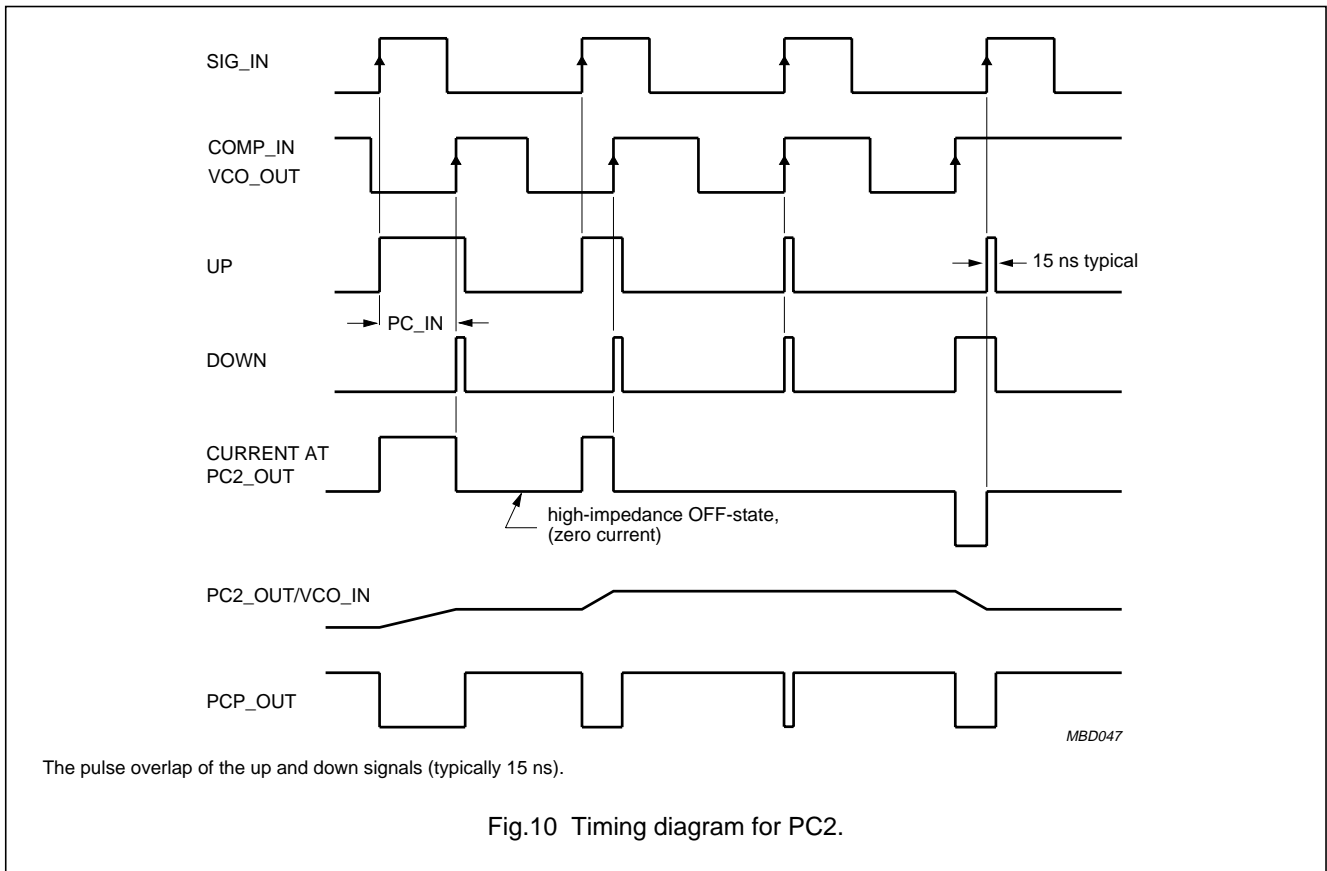
When the frequency of SIG_IN is higher than that of COMP_IN, the source output driver is held 'ON' for most of the input signal cycle time and for the remainder of the cycle time both drivers are 'OFF' (3-state). If the SIG_IN frequency is lower than the COMP_IN frequency, then it is the sink driver that is held 'ON' for most of the cycle. Subsequently the voltage at the capacitor (C2) of the low-pass filter connected to PC2_OUT varies until the signal and comparator inputs are equal in both phase and frequency. At this stable point the voltage on C2 remains constant as the PC2 output is in 3-state and the VCO input at pin 9 is a high impedance. Also in this condition the signal at the phase comparator pulse output (PCP_OUT) has a minimum output pulse width equal to the overlap time, so can be used for indicating a locked condition.

Thus for PC2 no phase difference exists between SIG_IN and COMP_IN over the full frequency range of the VCO. Moreover, the power dissipation due to the low-pass filter is reduced because both output drivers are OFF for most of the signal input cycle. It should be noted that the PLL lock range for this type of phase comparator is equal to the capture range and is independent of the low-pass filter. With no signal present at SIG_IN the VCO adjust, via PC2, to its lowest frequency.

By using current sources as charge pump output on PC2, the dead zone or backlash time could be reduced to zero. Also, the pulse widening due to the parasitic output capacitance plays no role here. This enables a linear transfer function, even in the vicinity of the zero crossing. The differences between a voltage switch charge pump and a current switch charge pump are shown in Fig.11.

PLL with band gap controlled VCO

74HCT9046A



PLL with band gap controlled VCO

74HCT9046A

The design of the low-pass filter is somewhat different when using current sources. The external resistor R3 is no longer present when using PC2 as phase comparator. The current source is set by R_b . A simple capacitor behaves as an ideal integrator now, because the capacitor is charged by a constant current. The transfer function of the voltage switch charge pump may be used. In fact it is even more valid, because the transfer function is no longer restricted for small changes only. Further the current is independent from both the supply voltage and the voltage across the filter. For one that is familiar with the low-pass filter design of the 74HCT4046A a relation may show how R_b relates with a fictive series resistance, called R3'.

This relation can be derived by assuming first that a voltage controlled switch PC2 of the 74HCT4046A is connected to the filter capacitance C2 via this fictive R3' (see Fig.8b). Then during the PC2 output pulse the charge current equals:

$$|I_P| = \frac{V_{CC} - V_{C2(0)}}{R3'}$$

With the initial voltage $V_{C2(0)}$ at:

$$0.5V_{CC} = 2.5 \text{ V}, |I_P| = \frac{2.5}{R3'}$$

As shown before the charge current of the current switch of the 74HCT9046A is:

$$|I_P| = 17 \times \frac{2.5}{R_b}$$

Hence:

$$R3' = \frac{R_b}{17} (\Omega)$$

Using this equivalent resistance R3' for the filter design the voltage can now be expressed as a transfer function of PC2; assuming ripple ($f_r = f_i$) is suppressed, as:

$$K_{PC2} = \frac{5}{4\pi} (V/\tau)$$

Again this illustrates the supply voltage independent behaviour of PC2.

LOOP FILTER COMPONENT SELECTION

Examples of PC2 combined with a passive filter are shown in Figs 12 and 13. Figure 12 shows that PC2 with only a C2 filter behaves as a high-gain filter. For stability the damped version of Fig.13 with series resistance R4 is preferred.

Practical design values for R_b are between 25 and 250 k Ω with $R3' = 1.5$ to 15 k Ω for the filter design. Higher values for R3' require lower values for the filter capacitance which is very advantageous at low values the loop natural frequency ω_n .

PLL with band gap controlled VCO

74HCT9046A

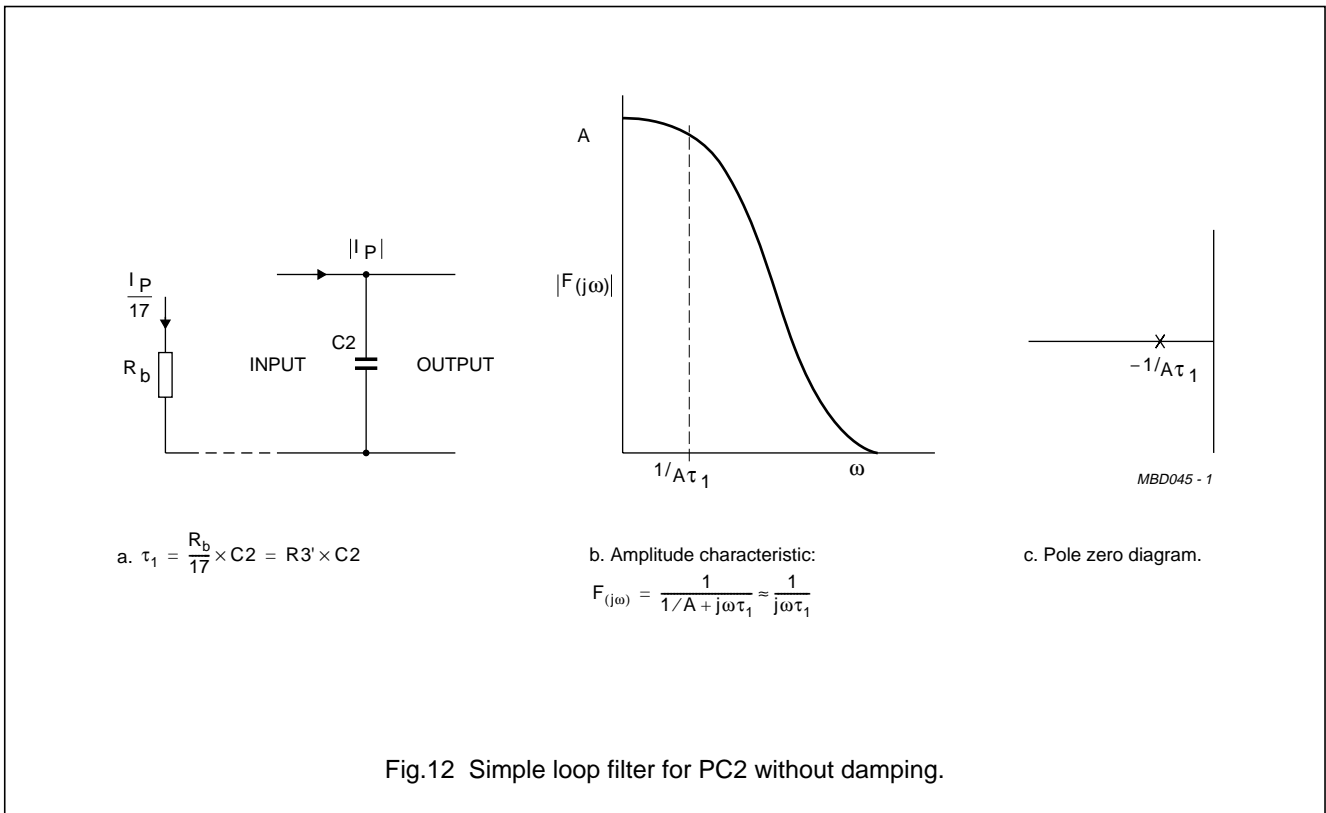


Fig.12 Simple loop filter for PC2 without damping.

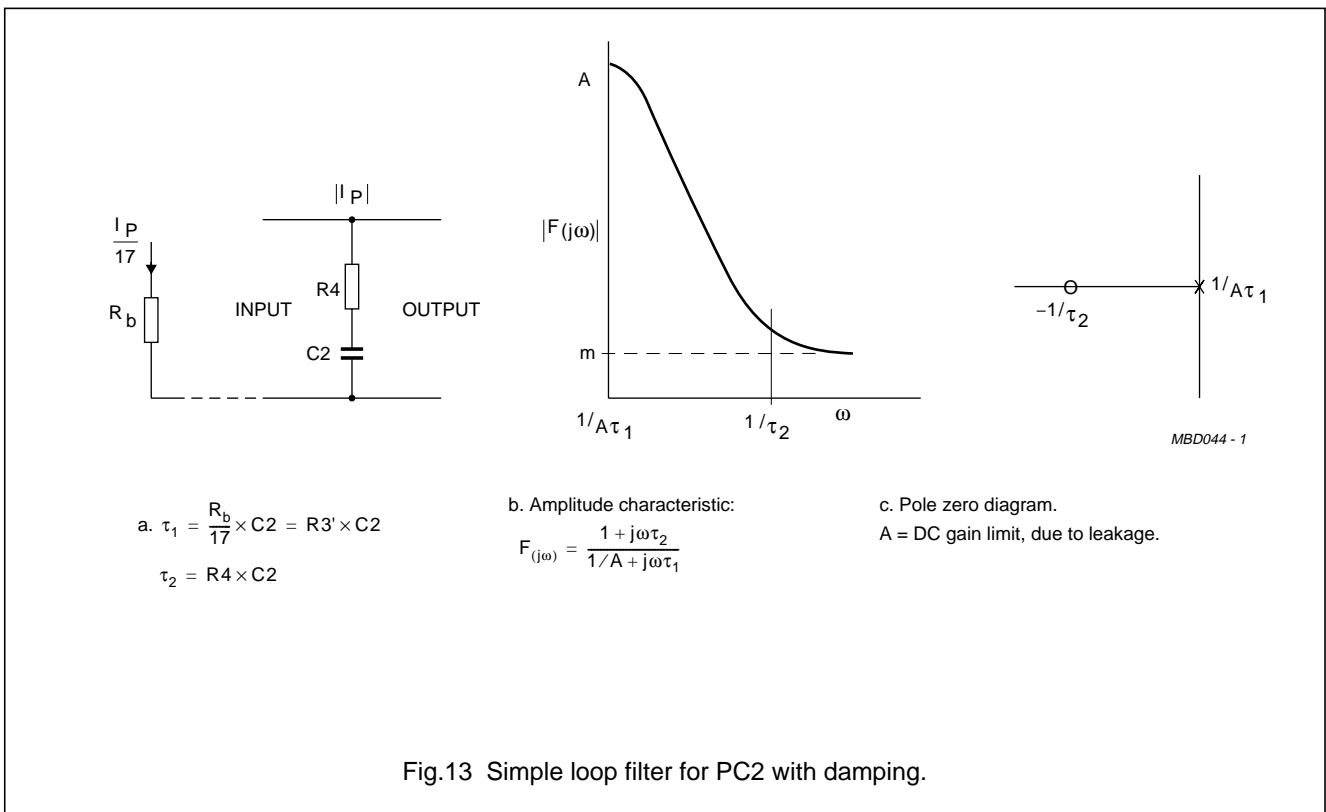


Fig.13 Simple loop filter for PC2 with damping.

PLL with band gap controlled VCO

74HCT9046A

RECOMMENDED OPERATING CONDITIONS

| SYMBOL | PARAMETER | CONDITIONS | MIN. | TYP. | MAX. | UNIT |
|------------|--------------------------------------|-------------------------------|------|------|----------|------|
| V_{CC} | supply voltage | | 4.5 | 5.0 | 5.5 | V |
| V_I | input voltage | | 0 | – | V_{CC} | V |
| V_O | output voltage | | 0 | – | V_{CC} | V |
| T_{amb} | operating ambient temperature | see DC and AC Characteristics | –40 | – | +85 | °C |
| | | | –40 | – | +125 | °C |
| t_r, t_f | input rise and fall times on pin INH | $V_{CC} = 4.5\text{ V}$ | – | 6 | 500 | ns |

LIMITING VALUES

In accordance with the Absolute Maximum Rating System (IEC 60134); voltages are referenced to GND (ground = 0 V).

| SYMBOL | PARAMETER | CONDITIONS | MIN. | MAX. | UNIT |
|-------------------|-------------------------------|--|------|------|------|
| V_{CC} | supply voltage | | –0.5 | +7 | V |
| I_{IK} | input diode current | $V_I < -0.5\text{ V}$ or $V_I > V_{CC} + 0.5\text{ V}$ | – | ±20 | mA |
| I_{OK} | output diode current | $V_O < -0.5\text{ V}$ or $V_O > V_{CC} + 0.5\text{ V}$ | – | ±20 | mA |
| I_O | output source or sink current | $-0.5\text{ V} < V_O < V_{CC} + 0.5\text{ V}$ | – | ±25 | mA |
| I_{CC}, I_{GND} | V_{CC} or GND current | | – | ±50 | mA |
| T_{stg} | storage temperature | | –65 | +150 | °C |
| P_{tot} | total power dissipation | $T_{amb} = -40\text{ to }+125\text{ °C}$ | | | |
| | DIP16 | note 1 | – | 750 | mW |
| | SO16 and TSSOP16 | note 2 | – | 500 | mW |

Notes

- For DIP16 packages: above 70 °C derate linearly with 12 mW/K.
- For SO16 and TSSOP16 packages: above 70 °C derate linearly with 8 mW/K.

PLL with band gap controlled VCO

74HCT9046A

DC CHARACTERISTICS

At recommended operating conditions; voltages are referenced to GND (ground = 0 V).

| SYMBOL | PARAMETER | TEST CONDITIONS | | MIN. | TYP. | MAX. | UNIT |
|--------------------------------|---|--|---------------------|-------|-------|-------|------|
| | | OTHER | V _{CC} (V) | | | | |
| T_{amb} = 25 °C | | | | | | | |
| PHASE COMPARATOR SECTION | | | | | | | |
| V _{IH} | HIGH-level input voltage on pins SIG_IN and COMP_IN | DC coupled | 4.5 | 3.15 | 2.4 | – | V |
| V _{IL} | LOW-level input voltage on pins SIG_IN and COMP_IN | DC coupled | 4.5 | – | 2.1 | 1.35 | V |
| V _{OH} | HIGH-level output voltage on pins PCP_OUT and PCn_OUT | V _I = V _{IH} or V _{IL} I _O = –20 µA | 4.5 | 4.4 | 4.5 | – | V |
| | | I _O = –4.0 mA | 4.5 | 3.98 | 4.32 | – | V |
| V _{OL} | LOW-level output voltage on pins PCP_OUT and PCn_OUT | V _I = V _{IH} or V _{IL} I _O = 20 µA | 4.5 | – | 0 | 0.1 | V |
| | | I _O = 4.0 mA | 4.5 | – | 0.15 | 0.26 | V |
| I _{LI} | input leakage current in pins SIG_IN and COMP_IN | V _{CC} or GND | 5.5 | – | – | ±30 | µA |
| I _{OZ} | 3-state OFF-state current in pin PC2_OUT | V _I = V _{IH} or V _{IL} ; V _O = V _{CC} or GND | 5.5 | – | – | ±0.5 | µA |
| R _I | input resistance SIG_IN, COMP_IN | V _I at self-bias operating point; ΔV _I = 0.5 V; see Figs 14 to 16 | 4.5 | – | 250 | – | kΩ |
| R _b | bias resistance | | 4.5 | 25 | – | 250 | kΩ |
| I _P | charge pump current | R _b = 40 kΩ | 4.5 | ±0.53 | ±1.06 | ±2.12 | mA |
| VCO SECTION | | | | | | | |
| V _{IH} | HIGH-level input voltage on pin INH | DC coupled | 4.5 to 5.5 | 2.0 | 1.6 | – | V |
| V _{IL} | LOW-level input voltage on pin INH | DC coupled | 4.5 to 5.5 | – | 1.2 | 0.8 | V |
| V _{OH} | HIGH-level output voltage on pin VCO_OUT | V _I = V _{IH} or V _{IL} I _O = –20 µA | 4.5 | 4.4 | 4.5 | – | V |
| | | I _O = –4.0 mA | 4.5 | 3.98 | 4.32 | – | V |
| V _{OL} | LOW-level output voltage on pin VCO_OUT | V _I = V _{IH} or V _{IL} I _O = 20 µA | 4.5 | – | 0 | 0.1 | V |
| | | I _O = 4.0 mA | 4.5 | – | 0.15 | 0.26 | V |
| V _{OL} | LOW-level output voltage on pins C1A and C1B | V _I = V _{IH} or V _{IL} ; I _O = 4.0 mA | 4.5 | – | – | 0.40 | V |
| I _{LI} | input leakage current in pins INH and VCO_IN | V _{CC} or GND | 5.5 | – | – | ±0.1 | µA |

PLL with band gap controlled VCO

74HCT9046A

| SYMBOL | PARAMETER | TEST CONDITIONS | | MIN. | TYP. | MAX. | UNIT |
|--|---|--|---------------------|------|------|----------|------|
| | | OTHER | V _{CC} (V) | | | | |
| R1 | resistor value | | 4.5 | 3 | – | 300 | kΩ |
| R2 | resistor value | | 4.5 | 3 | – | 300 | kΩ |
| C1 | capacitance | | 4.5 | 40 | – | no limit | pF |
| V _{VCO_IN} | operating voltage on pin VCO_IN | over the range specified for R1 | 4.5 | 1.1 | – | 3.4 | V |
| | | | 5.0 | 1.1 | – | 3.9 | V |
| | | | 5.5 | 1.1 | – | 4.4 | V |
| DEMODULATOR SECTION | | | | | | | |
| R _s | resistor value | at R _s > 300 kΩ the leakage current can influence V _{DEM_OUT} | 4.5 | 50 | – | 300 | kΩ |
| V _{OFF} | offset voltage VCO_IN to V _{DEM_OUT} | V _I = V _{VCO_IN} = 0.5V _{CC} ; values taken over R _s range, see Fig.17 | 4.5 | – | ±20 | – | mV |
| R _{dyn} | dynamic output resistance at DEM_OUT | V _{DEM_OUT} = 0.5V _{CC} | 4.5 | – | 25 | – | Ω |
| GENERAL | | | | | | | |
| I _{CC} | quiescent supply current (disabled) | pin INH at V _{CC} | 5.5 | – | – | 8.0 | μA |
| ΔI _{CC} | additional quiescent supply current per input pin | other inputs at V _{CC} or GND; V _I = V _{CC} – 2.1 V | 4.5 | – | 100 | 360 | μA |
| T_{amb} = –40 to +85 °C | | | | | | | |
| PHASE COMPARATOR SECTION | | | | | | | |
| V _{IH} | HIGH-level input voltage on pins SIG_IN and COMP_IN | DC coupled | 4.5 | 3.15 | – | – | V |
| V _{IL} | LOW-level input voltage on pins SIG_IN and COMP_IN | DC coupled | 4.5 | – | – | 1.35 | V |
| V _{OH} | HIGH-level output voltage on pins PCP_OUT and PCn_OUT | V _I = V _{IH} or V _{IL} I _O = –20 μA | 4.5 | 4.4 | – | – | V |
| | | I _O = –4.0 mA | 4.5 | 3.84 | – | – | V |
| V _{OL} | LOW-level output voltage on pins PCP_OUT and PCn_OUT | V _I = V _{IH} or V _{IL} I _O = 20 μA | 4.5 | – | – | 0.1 | V |
| | | I _O = 4.0 mA | 4.5 | – | – | 0.33 | V |
| I _{LI} | input leakage current in pins SIG_IN and COMP_IN | V _{CC} or GND | 5.5 | – | – | ±38 | μA |
| I _{oz} | 3-state OFF-state current PC2_OUT | V _I = V _{IH} or V _{IL} ; V _O = V _{CC} or GND | 5.5 | – | – | ±5.0 | μA |

PLL with band gap controlled VCO

74HCT9046A

| SYMBOL | PARAMETER | TEST CONDITIONS | | MIN. | TYP. | MAX. | UNIT |
|---|---|--|---------------------|------|------|-------|------|
| | | OTHER | V _{CC} (V) | | | | |
| VCO SECTION | | | | | | | |
| V _{IH} | HIGH-level input voltage on pin INH | DC coupled | 4.5 to 5.5 | 2.0 | – | – | V |
| V _{IL} | LOW-level input voltage on pin INH | DC coupled | 4.5 to 5.5 | – | – | 0.8 | V |
| V _{OH} | HIGH-level output voltage on pin VCO_OUT | V _I = V _{IH} or V _{IL} I _O = –20 µA | 4.5 | 4.4 | – | – | V |
| | | I _O = –4.0 mA | 4.5 | 3.84 | – | – | V |
| V _{OL} | LOW-level output voltage on pin VCO_OUT | V _I = V _{IH} or V _{IL} I _O = 20 µA | 4.5 | – | – | 0.1 | V |
| | | I _O = 4.0 mA | 4.5 | – | – | 0.33 | V |
| V _{OL} | LOW-level output voltage on pins C1A and C1B | V _I = V _{IH} or V _{IL} ; I _O = 4.0 mA | 4.5 | – | – | 0.47 | V |
| I _{LI} | input leakage current in pins INH and VCO_IN | V _{CC} or GND | 5.5 | – | – | ±1.0 | µA |
| QUIESCENT SUPPLY CURRENT | | | | | | | |
| I _{CC} | quiescent supply current (disabled) | pin INH at V _{CC} | 5.5 | – | – | 80.0 | µA |
| ΔI _{CC} | additional quiescent supply current per input pin | other inputs at V _{CC} or GND; V _I = V _{CC} – 2.1 V | 4.5 | – | – | 450 | µA |
| T_{amb} = –40 to +125 °C | | | | | | | |
| PHASE COMPARATOR SECTION | | | | | | | |
| V _{IH} | HIGH-level input voltage on pins SIG_IN and COMP_IN | DC coupled | 4.5 | 3.15 | – | – | V |
| V _{IL} | LOW-level input voltage on pins SIG_IN and COMP_IN | DC coupled | 4.5 | – | – | 1.35 | V |
| V _{OH} | HIGH-level output voltage on pins PCP_OUT and PCn_OUT | V _I = V _{IH} or V _{IL} I _O = –20 µA | 4.5 | 4.4 | – | – | V |
| | | I _O = –4.0 mA | 4.5 | 3.7 | – | – | V |
| V _{OL} | LOW-level output voltage on pins PCP_OUT and PCn_OUT | V _I = V _{IH} or V _{IL} I _O = 20 µA | 4.5 | – | – | 0.1 | V |
| | | I _O = 4.0 mA | 4.5 | – | – | 0.4 | V |
| I _{LI} | input leakage current in pins SIG_IN and COMP_IN | V _{CC} or GND | 5.5 | – | – | ±45 | µA |
| I _{oz} | 3-state OFF-state current in pin PC2_OUT | V _I = V _{IH} or V _{IL} ; V _O = V _{CC} or GND | 5.5 | – | – | ±10.0 | µA |

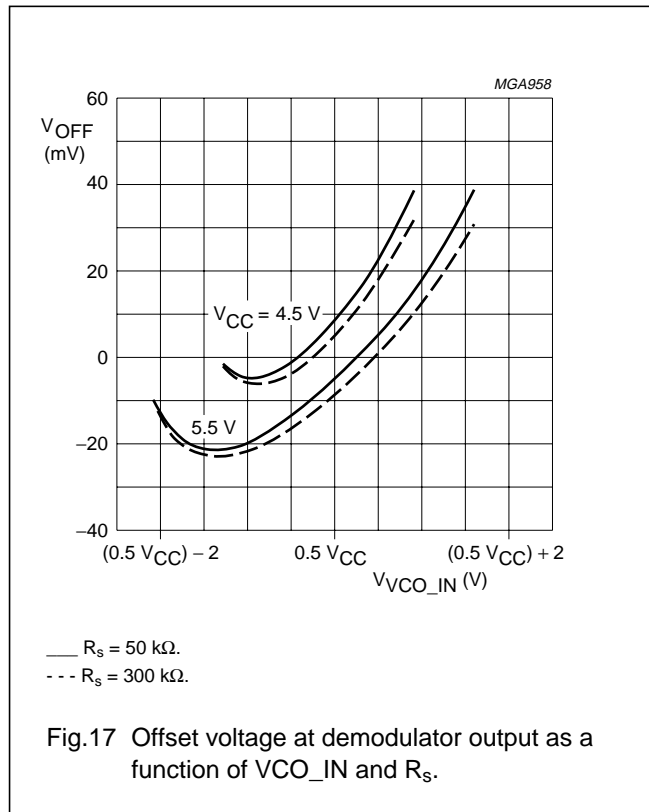
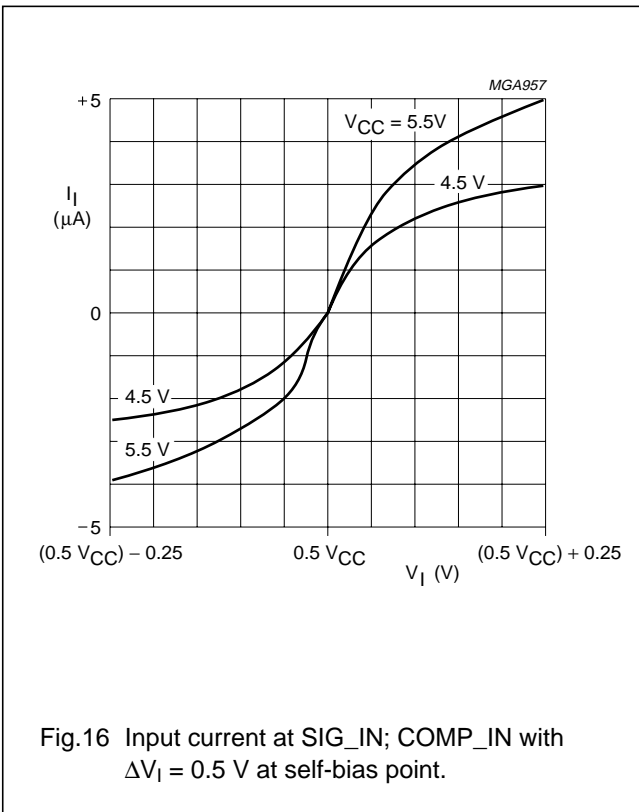
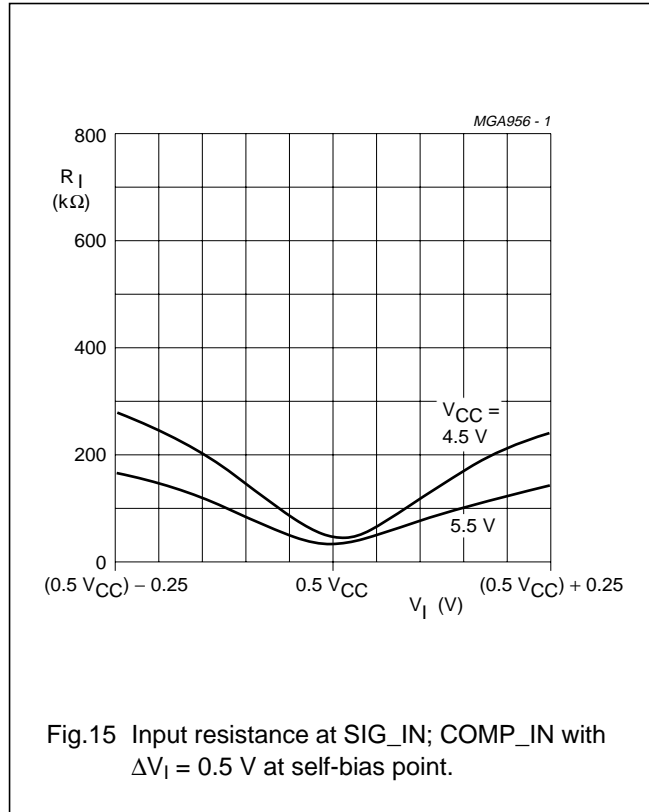
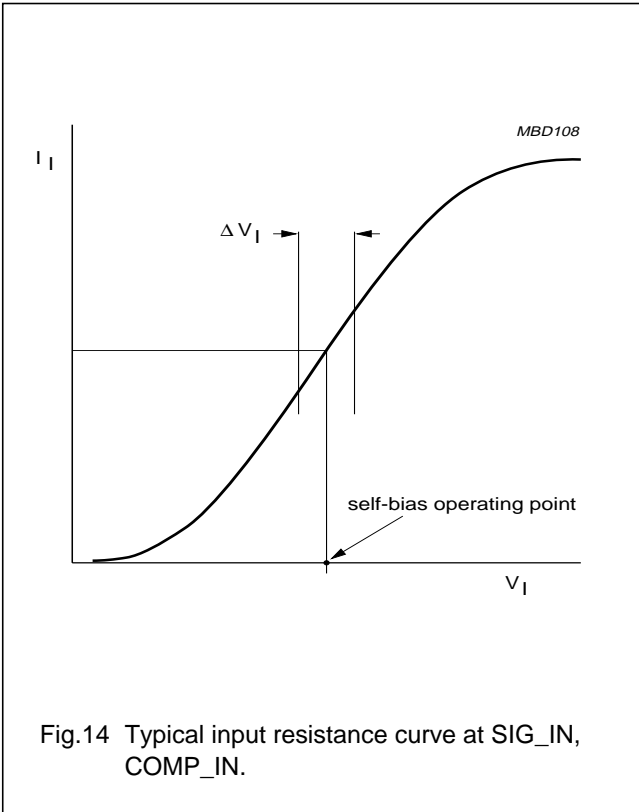
PLL with band gap controlled VCO

74HCT9046A

| SYMBOL | PARAMETER | TEST CONDITIONS | | MIN. | TYP. | MAX. | UNIT |
|------------------|---|--|---------------------|------|------|-------|------|
| | | OTHER | V _{CC} (V) | | | | |
| VCO SECTION | | | | | | | |
| V _{IH} | HIGH-level input voltage on pin INH | DC coupled | 4.5 to 5.5 | 2.0 | – | – | V |
| V _{IL} | LOW-level input voltage on pin INH | DC coupled | 4.5 to 5.5 | – | – | 0.8 | V |
| V _{OH} | HIGH-level output voltage on pin VCO_OUT | V _I = V _{IH} or V _{IL} I _O = –20 µA | 4.5 | 4.4 | – | – | V |
| | | I _O = –4.0 mA | 4.5 | 3.7 | – | – | V |
| V _{OL} | LOW-level output voltage on pin VCO_OUT | V _I = V _{IH} or V _{IL} I _O = 20 µA | 4.5 | – | – | 0.1 | V |
| | | I _O = 4.0 mA | 4.5 | – | – | 0.4 | V |
| V _{OL} | LOW-level output voltage on pins C1A and C1B | V _I = V _{IH} or V _{IL} ; I _O = 4.0 mA | 4.5 | – | – | 0.54 | V |
| I _{LI} | input leakage current in pins INH and VCO_IN | V _{CC} or GND | 5.5 | – | – | ±1.0 | µA |
| GENERAL | | | | | | | |
| I _{CC} | quiescent supply current (disabled) | pin INH at V _{CC} | 5.5 | – | – | 160.0 | µA |
| ΔI _{CC} | additional quiescent supply current per input pin | other inputs at V _{CC} or GND; V _I = V _{CC} – 2.1 V | 4.5 | – | – | 490 | µA |

PLL with band gap controlled VCO

74HCT9046A



PLL with band gap controlled VCO

74HCT9046A

AC CHARACTERISTICSGND = 0 V; $t_r = t_f = 6$ ns; $C_L = 50$ pF.

| SYMBOL | PARAMETER | TEST CONDITION | | MIN. | TYP. | MAX. | UNIT |
|------------------------------------|--|---|---------------------|------|------|------|------|
| | | WAVEFORMS | V _{CC} (V) | | | | |
| T_{amb} = 25 °C | | | | | | | |
| PHASE COMPARATOR SECTION | | | | | | | |
| t _{PHL} /t _{PLH} | propagation delay SIG_IN, COMP_IN to PC1_OUT | Fig.18 | 4.5 | – | 23 | 40 | ns |
| | propagation delay SIG_IN, COMP_IN to PCP_OUT | Fig.18 | 4.5 | – | 35 | 68 | ns |
| t _{PZH} /t _{PZL} | 3–state output enable time SIG_IN, COMP_IN to PC2_OUT | Fig.19 | 4.5 | – | 30 | 56 | ns |
| t _{PHZ} /t _{PLZ} | 3–state output enable time SIG_IN, COMP_IN to PC2_OUT | Fig.19 | 4.5 | – | 36 | 65 | ns |
| t _{THL} /t _{TLH} | output transition time | Fig.18 | 4.5 | – | 7 | 15 | ns |
| V _{i(p-p)} | input sensitivity at pin SIGN_IN or COMP_IN (peak-to-peak value) | AC coupled; f _i = 1 MHz | 4.5 | – | 15 | – | mV |
| VCO SECTION | | | | | | | |
| Δf _c | centre frequency tolerance | V _{VCO_IN} = 3.9 V; R1 = 10 kΩ; R2 = 10 kΩ; C1 = 1 nF | 5.0 | –10 | – | +10 | % |
| f _c | VCO centre frequency | duty factor = 50%; V _{VCO_IN} = 0.5V _{CC} ; R1 = 4.3 kΩ; R2 = ∞; C1 = 40 pF; Figs 23 and 31 | 4.5 | 11.0 | 15.0 | – | MHz |
| Δf _{VCO} | VCO frequency linearity | R1 = 100 kΩ; R2 = ∞; C1 = 100 pF; Figs 24 and 25 | 4.5 | – | 0.4 | – | % |
| δ _{VCO} | duty factor at VCO_OUT | | 4.5 | – | 50 | – | % |

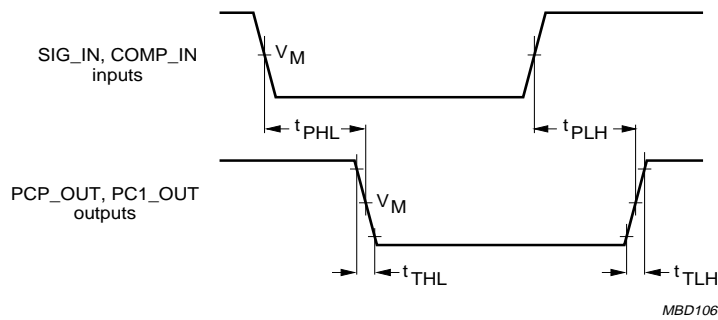
PLL with band gap controlled VCO

74HCT9046A

| SYMBOL | PARAMETER | TEST CONDITION | | MIN. | TYP. | MAX. | UNIT |
|---|---|--|---------------------|------|------|------|------|
| | | WAVEFORMS | V _{CC} (V) | | | | |
| T_{amb} = -40 to +85 °C | | | | | | | |
| PHASE COMPARATOR SECTION | | | | | | | |
| t _{PHL} /t _{PLH} | propagation delay SIG_IN, COMP_IN to PC1_OUT | Fig.18 | 4.5 | – | – | 50 | ns |
| | propagation delay SIG_IN, COMP_IN to PCP_OUT | Fig.18 | 4.5 | – | – | 85 | ns |
| t _{PZH} /t _{PZL} | 3–state output enable time SIG_IN, COMP_IN to PC2_OUT | Fig.19 | 4.5 | – | – | 70 | ns |
| t _{PHZ} /t _{PLZ} | 3–state output enable time SIG_IN, COMP_IN to PC2_OUT | Fig.19 | 4.5 | – | – | 81 | ns |
| t _{THL} /t _{TLH} | output transition time | Fig.18 | 4.5 | – | – | 19 | ns |
| VCO SECTION | | | | | | | |
| Δf/T | frequency stability with temperature change | V _{VCO_IN} = 0.5V _{CC} ; recommended range: R1 = 10 kΩ; R2 = 10 kΩ; C1 = 1 nF; see Figs 20 to 22 | 4.5 | 0.06 | – | – | %/K |
| T_{amb} = -40 to +125 °C | | | | | | | |
| PHASE COMPARATOR SECTION | | | | | | | |
| t _{PHL} /t _{PLH} | propagation delay SIG_IN, COMP_IN to PC1_OUT | Fig.18 | 4.5 | – | – | 60 | ns |
| | propagation delay SIG_IN, COMP_IN to PCP_OUT | Fig.18 | 4.5 | – | – | 102 | ns |
| t _{PZH} /t _{PZL} | 3–state output enable time SIG_IN, COMP_IN to PC2_OUT | Fig.19 | 4.5 | – | – | 84 | ns |
| t _{PHZ} /t _{PLZ} | 3–state output enable time SIG_IN, COMP_IN to PC2_OUT | Fig.19 | 4.5 | – | – | 98 | ns |
| t _{THL} /t _{TLH} | output transition time | Fig.18 | 4.5 | – | – | 22 | ns |

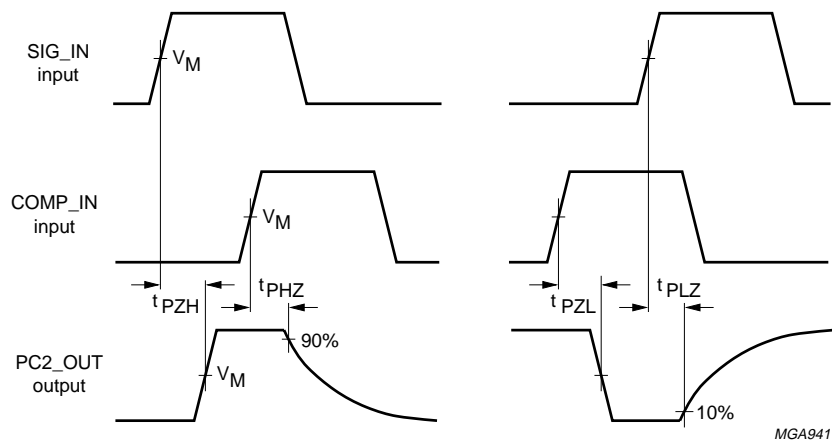
PLL with band gap controlled VCO

74HCT9046A



$V_M = 0.5V_{CC}$; $V_I = \text{GND to } V_{CC}$.

Fig.18 Waveforms showing input (SIG_IN and COMP_IN) to output (PCP_OUT and PC1_OUT) propagation delays and the output transition times.

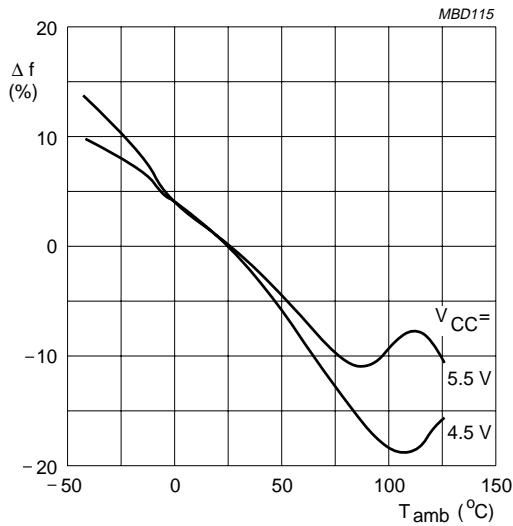


$V_M = 0.5V_{CC}$; $V_I = \text{GND to } V_{CC}$.

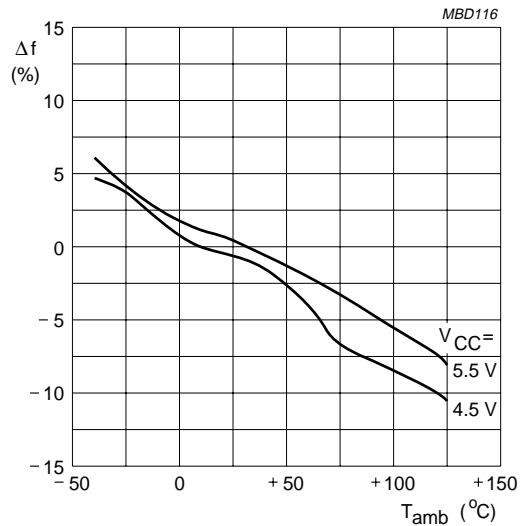
Fig.19 Waveforms showing the 3-state enable and disable times for PC2_OUT.

PLL with band gap controlled VCO

74HCT9046A

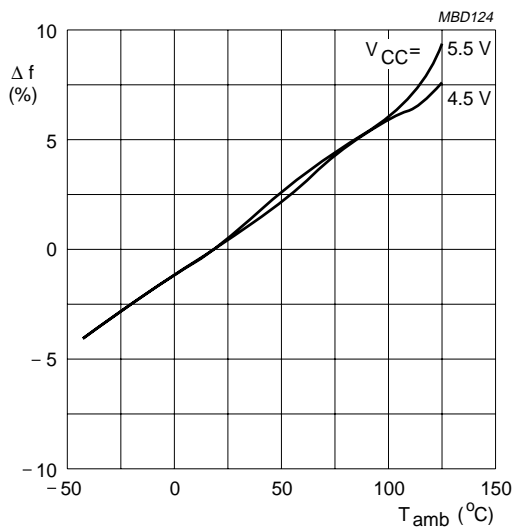


a. $R1 = 3\text{ k}\Omega$; $R2 = \infty$; $C1 = 100\text{ pF}$.

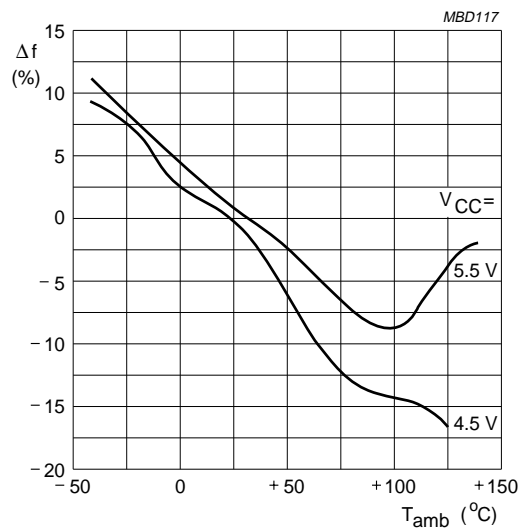


b. $R1 = 10\text{ k}\Omega$; $R2 = \infty$; $C1 = 100\text{ pF}$.

Fig.20 Frequency stability of the VCO as a function of ambient temperature with supply voltage as a parameter.



a. $R1 = 300\text{ k}\Omega$; $R2 = \infty$; $C1 = 100\text{ pF}$.

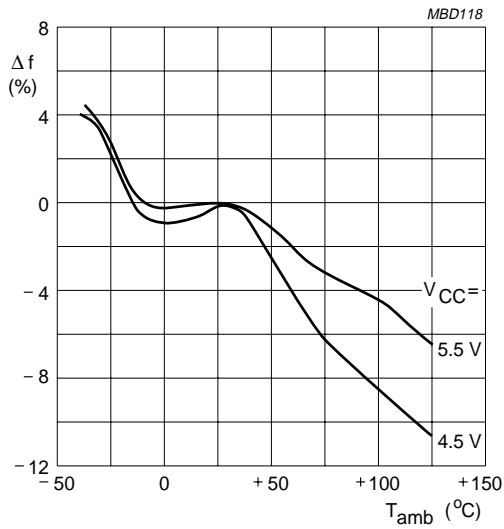


b. $R1 = \infty$; $R2 = 3\text{ k}\Omega$; $C1 = 100\text{ pF}$.

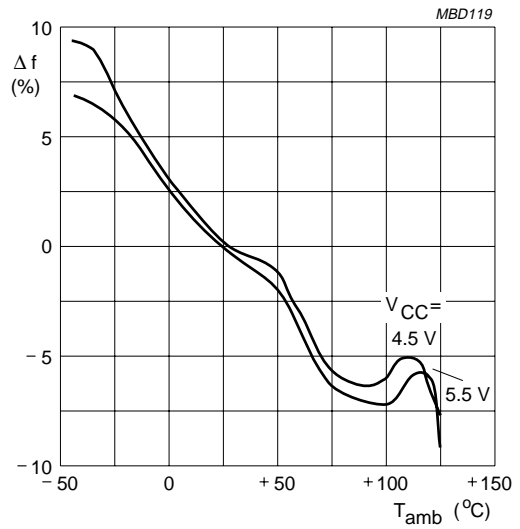
Fig.21 Frequency stability of the VCO as a function of ambient temperature with supply voltage as a parameter.

PLL with band gap controlled VCO

74HCT9046A



a. $R1 = \infty$; $R2 = 10 \text{ k}\Omega$; $C1 = 100 \text{ pF}$.

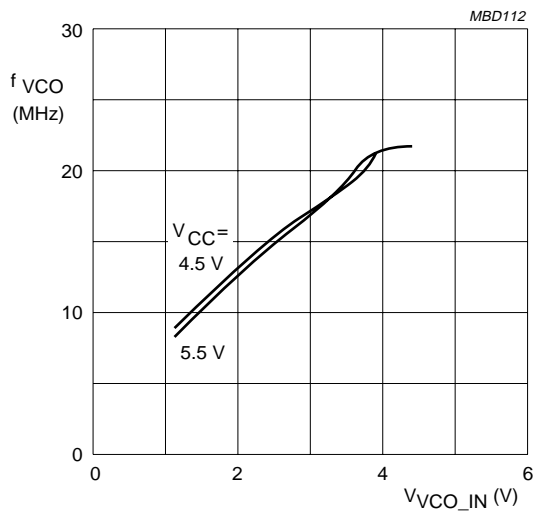


b. $R1 = \infty$; $R2 = 300 \text{ k}\Omega$; $C1 = 100 \text{ pF}$.

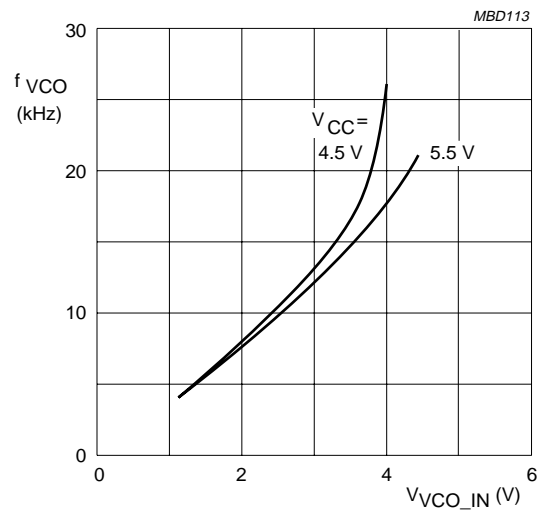
Fig.22 Frequency stability of the VCO as a function of ambient temperature with supply voltage as a parameter.

PLL with band gap controlled VCO

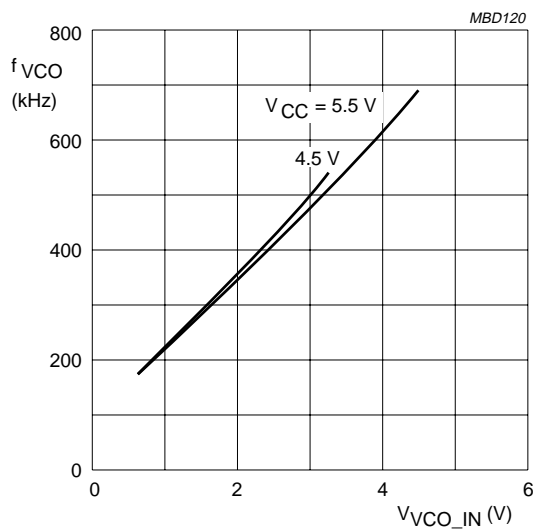
74HCT9046A



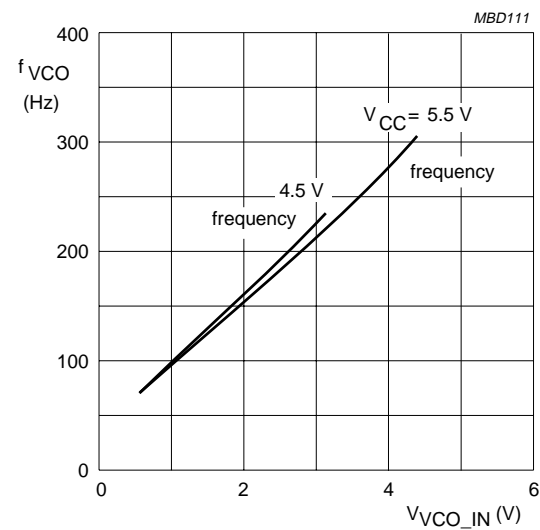
a. R1 = 4.3 kΩ; C1 = 39 pF.



b. R1 = 4.3 kΩ; C1 = 100 nF.



c. R1 = 300 kΩ; C1 = 39 pF.

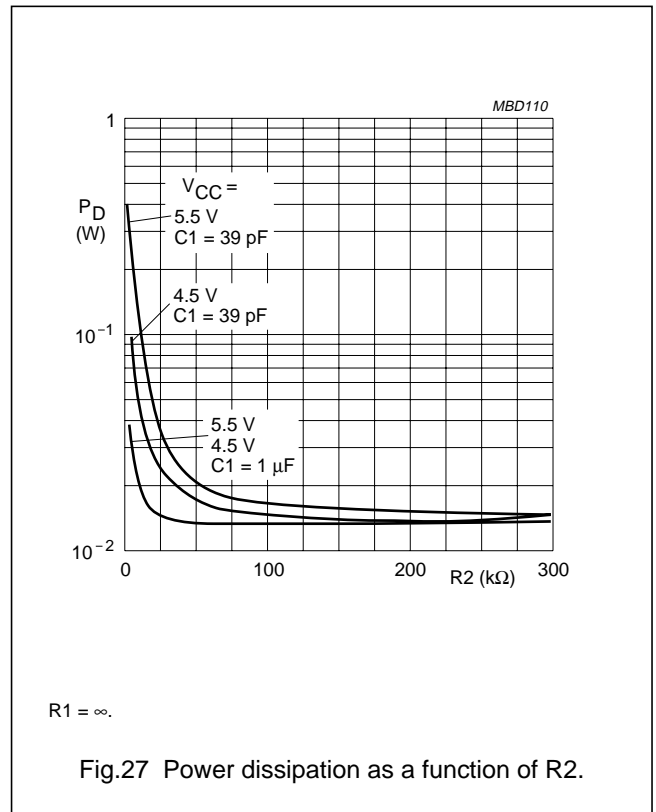
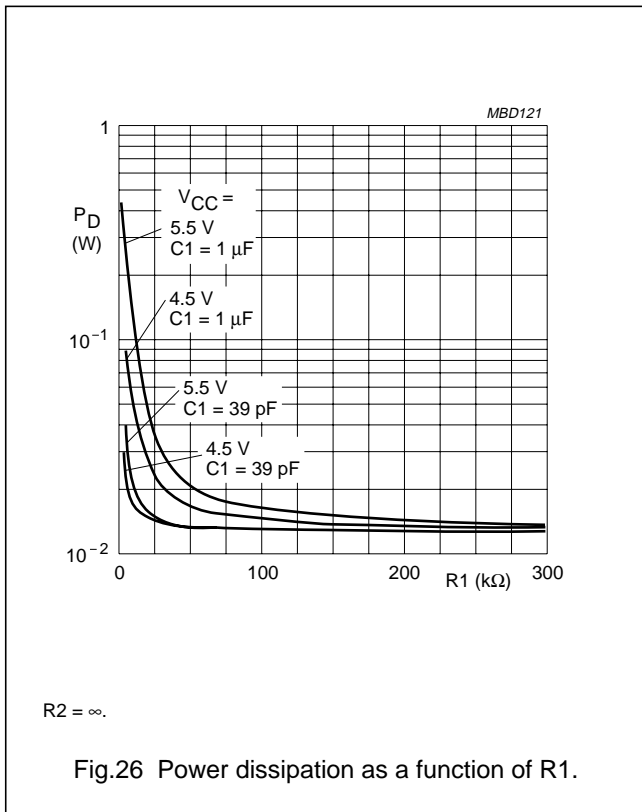
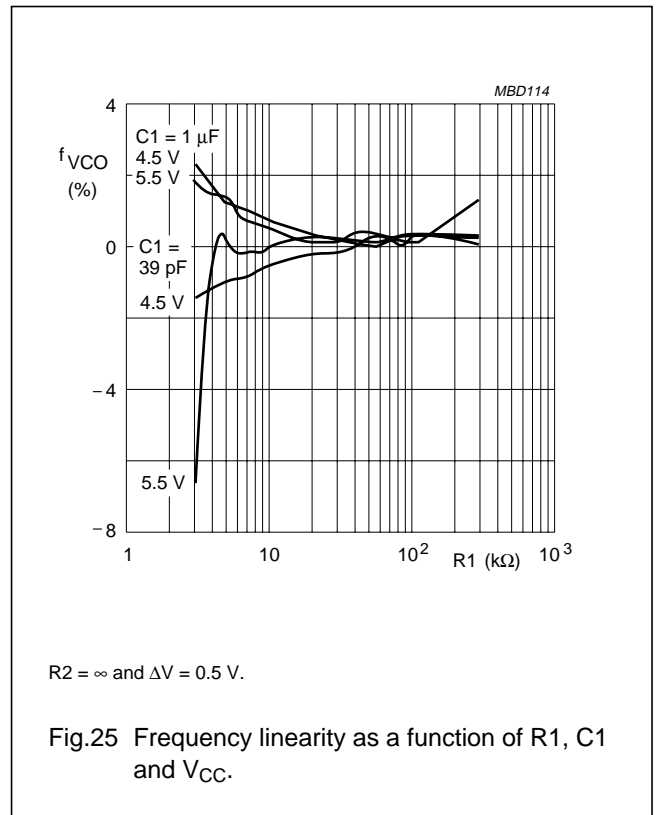
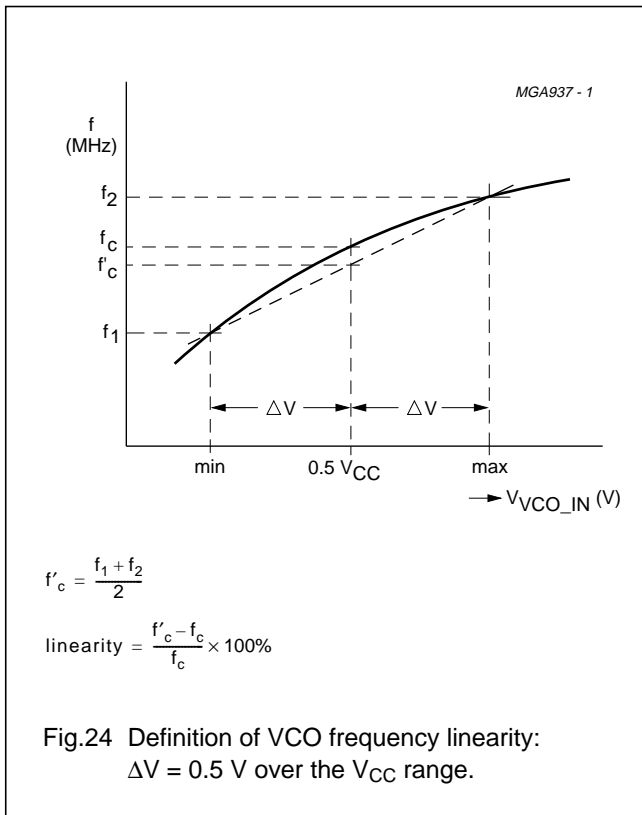


d. R1 = 300 kΩ; C1 = 100 nF.

Fig.23 Graphs showing VCO frequency as a function of the VCO input voltage (V_{VCO_IN}).

PLL with band gap controlled VCO

74HCT9046A



PLL with band gap controlled VCO

74HCT9046A

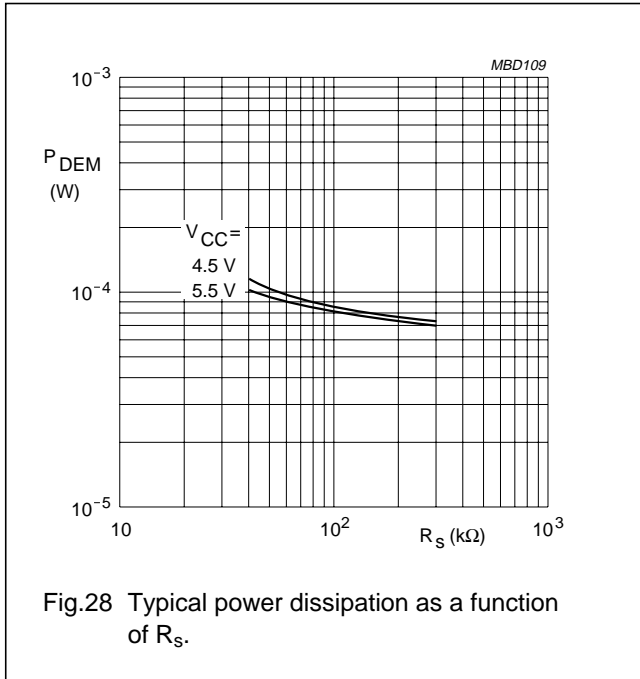


Fig.28 Typical power dissipation as a function of R_S .

APPLICATION INFORMATION

This information is a guide for the approximation of values of external components to be used with the 74HCT9046A in a phase-locked-loop system.

Values of the selected components should be within the ranges shown in Table 1.

Table 1 Survey of components.

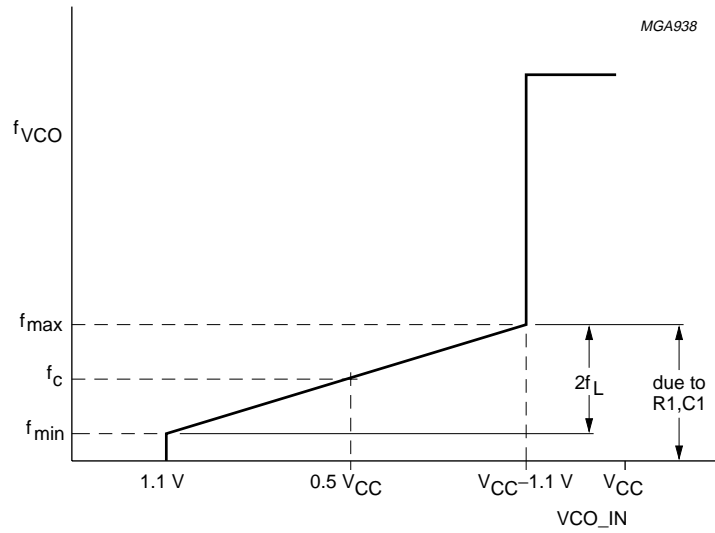
| COMPONENT | VALUE |
|-----------|-------------------------|
| R1 | between 3 kΩ and 300 kΩ |
| R2 | between 3 kΩ and 300 kΩ |
| R1 + R2 | parallel value >2.7 kΩ |
| C1 | >40 pF |

Table 2 Design considerations for VCO section.

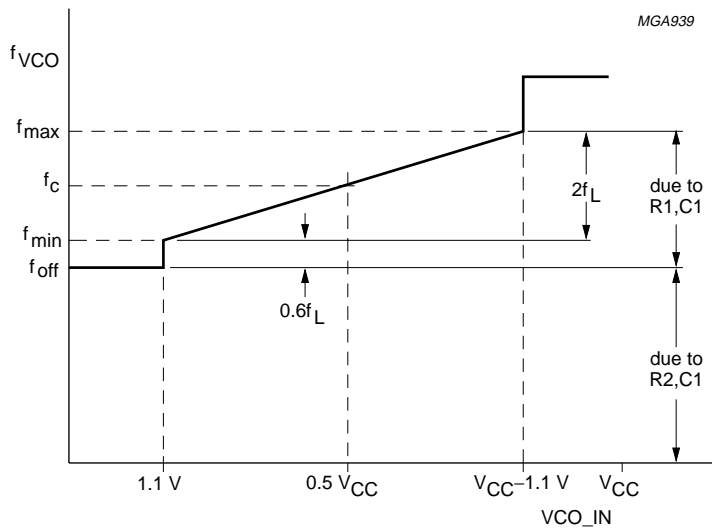
| SUBJECT | PHASE COMPARATOR | DESIGN CONSIDERATION |
|---|------------------|---|
| VCO frequency without extra offset | PC1, PC2 | VCO frequency characteristic. With $R_2 = \infty$ and R_1 within the range $3\text{ k}\Omega < R_1 < 300\text{ k}\Omega$, the characteristics of the VCO operation will be as shown in Fig.29a. (Due to R_1 , C_1 time constant a small offset remains when $R_2 = \infty$). |
| | PC1 | Selection of R_1 and C_1 . Given f_c , determine the values of R_1 and C_1 using Fig.31. |
| | PC2 | Given f_{max} and f_c determine the values of R_1 and C_1 using Fig.31; use Fig.33 to obtain $2f_L$ and then use this to calculate f_{min} . |
| VCO frequency with extra offset | PC1, PC2 | VCO frequency characteristic. With R_1 and R_2 within the ranges $3\text{ k}\Omega < R_1 < 300\text{ k}\Omega < R_2 < 300\text{ k}\Omega$, the characteristics of the VCO operation is as shown in Fig.29b. |
| | PC1, PC2 | Selection of R_1 , R_2 and C_1 . Given f_c and f_L determine the value of product R_1C_1 by using Fig.33. Calculate f_{off} from the equation $f_{off} = f_c - 1.6f_L$. Obtain the values of C_1 and R_2 by using Fig.32. Calculate the value of R_1 from the value of C_1 and the product R_1C_1 . |
| PLL conditions with no signal at pin SIG_IN | PC1 | VCO adjusts to f_c with $\Phi_{PC_IN} = 90^\circ$ and $V_{VCO_IN} = 0.5V_{CC}$. |
| | PC2 | VCO adjusts to f_{offset} with $\Phi_{PC_IN} = -360^\circ$ and $V_{VCO_IN} = \text{minimum}$. |

PLL with band gap controlled VCO

74HCT9046A



a. Operating without offset;
 f_c = centre frequency;
 $2f_L$ = frequency lock range.



b. Operating with offset;
 f_c = centre frequency;
 $2f_L$ = frequency lock range.

Fig.29 Frequency characteristic of VCO.

PLL with band gap controlled VCO

74HCT9046A

Filter design considerations for PC1 and PC2 of the 74HCT9046A

Figure 30 shows some examples of passive and active filters to be used with the phase comparators of the 74HCT9046A. Transfer functions of phase comparators and filters are given in Table 3.

Table 3 Transfer functions of phase comparators and filters.

| PHASE COMPARATOR | EXPLANATION | FIGURE | FILTER TYPE | TRANSFER FUNCTION |
|------------------|--|--------|--------------------------------|--|
| PC1 | $K_{PC1} = \frac{V_{CC}}{\pi} V/r$ | 30a. | passive filter without damping | $F_{(j\omega)} = \frac{1}{1 + j\omega\tau_1}$ |
| | $\tau_1 = R3 \times C2$; $\tau_2 = R4 \times C2$; $\tau_3 = R4 \times C3$; $A = 10^5 = \text{DC gain amplitude}$ | 30b. | passive filter with damping | $F_{(j\omega)} = \frac{1 + j\omega\tau_2}{1 + j\omega(\tau_1 + \tau_2)}$ |
| | | 30c. | active filter with damping | $F_{(j\omega)} = \frac{1 + j\omega\tau_2}{1/A + j\omega\tau_1} \approx \frac{1 + j\omega\tau_2}{j\omega\tau_1}$ |
| PC2 | $K_{PC2} = \frac{5}{4\pi} V/r$; $\tau_1 = R3' \times C2$; $\tau_2 = R4 \times C2$; $\tau_3 = R4 \times C3$; $R3' = R_b/17$; $R_b = 25 \text{ to } 250 \text{ k}\Omega$ | 30d. | passive filter with damping | $F_{(j\omega)} = \frac{1 + j\omega\tau_2}{1/A + j\omega\tau_1} \approx \frac{1 + j\omega\tau_2}{j\omega\tau_1}$ $A = 10^5 = \text{DC gain amplitude}$ |
| | | 30e. | active filter with damping | $F_{(j\omega)} = \frac{1 + j\omega\tau_2}{1/A + j\omega\tau_1} \approx \frac{1 + j\omega\tau_2}{j\omega\tau_1}$ $A = 10^5 = \text{DC gain amplitude}$ |

General design consideration.

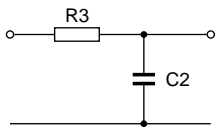
| SUBJECT | PHASE COMPARATOR | DESIGN CONSIDERATION |
|--|------------------|---|
| PLL locks on harmonics at centre frequency | PC1 | yes |
| | PC2 | no |
| Noise rejection at signal input | PC1 | high |
| | PC2 | low |
| AC ripple content when PLL is locked | PC1 | $f_r = 2f_i$; large ripple content at $\Phi_{PC_IN} = 90^\circ$ |
| | PC2 | $f_r = f_i$; small ripple content at $\Phi_{PC_IN} = 0^\circ$ |

PLL with band gap controlled VCO

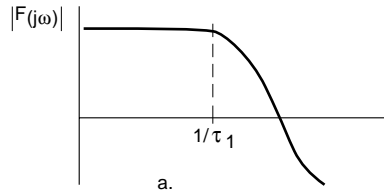
74HCT9046A

PC1

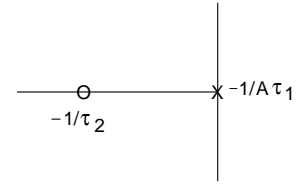
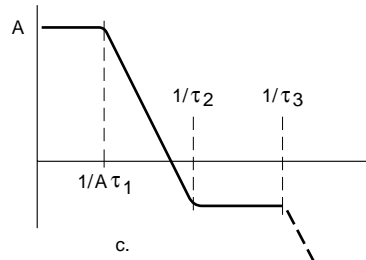
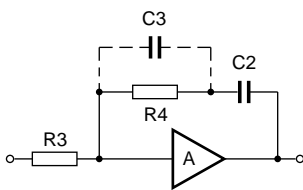
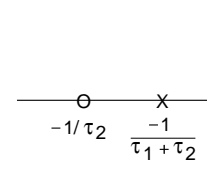
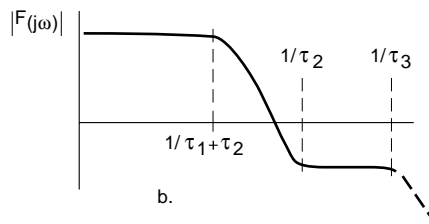
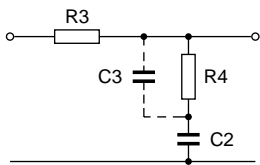
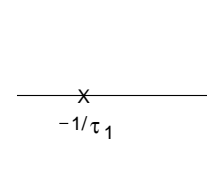
CIRCUIT



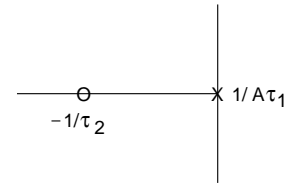
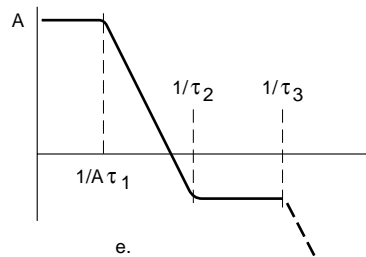
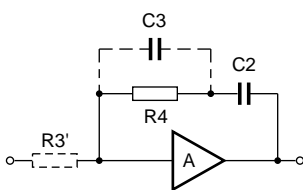
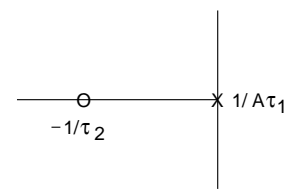
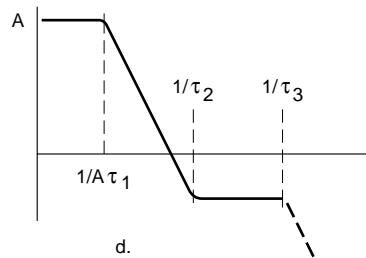
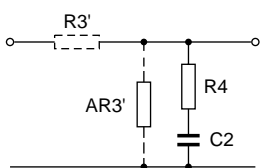
AMPLITUDE CHARACTERISTIC



POLE ZERO DIAGRAM



PC2

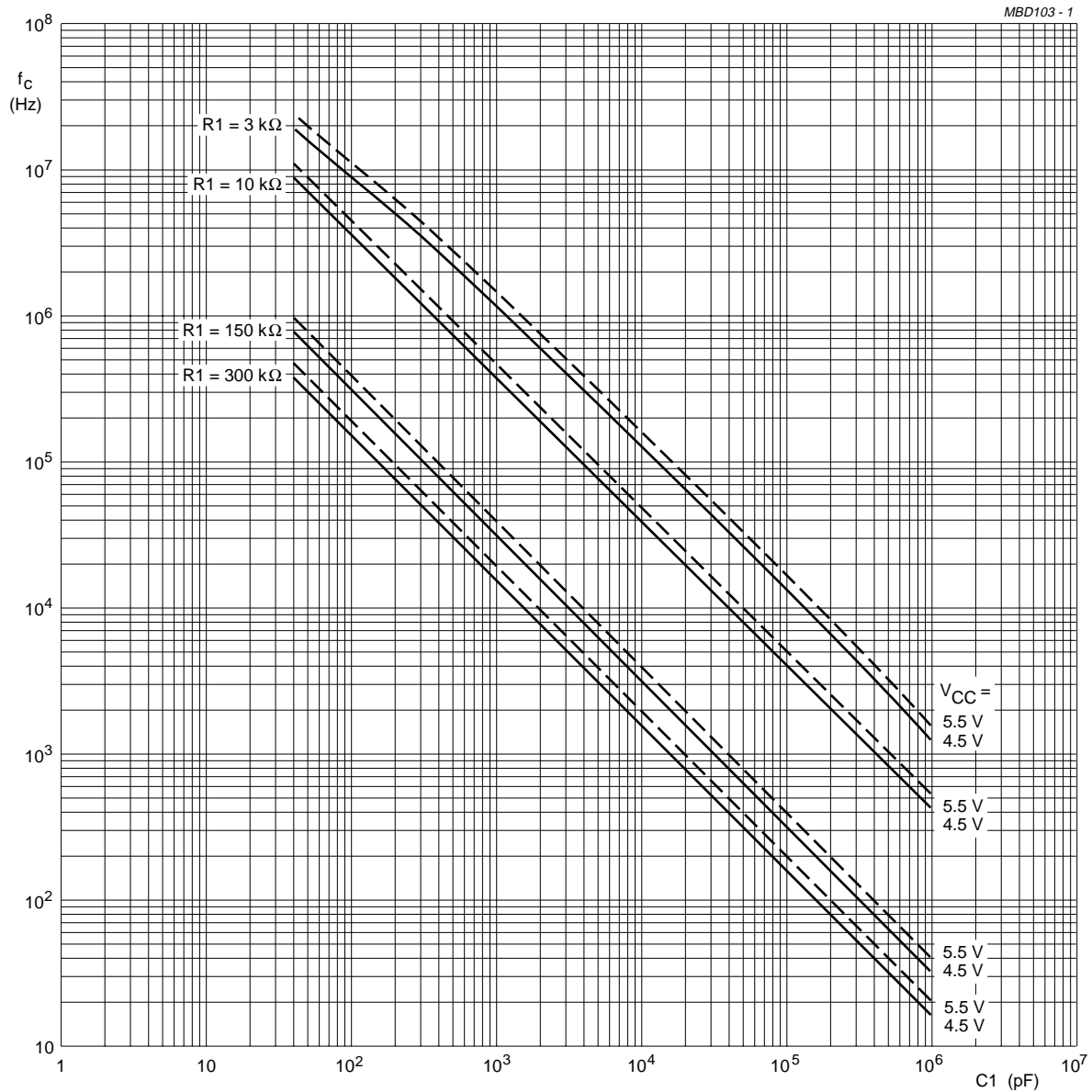


MBD107 - 1

Fig.30 Passive and active filters for 74HCT9046A.

PLL with band gap controlled VCO

74HCT9046A

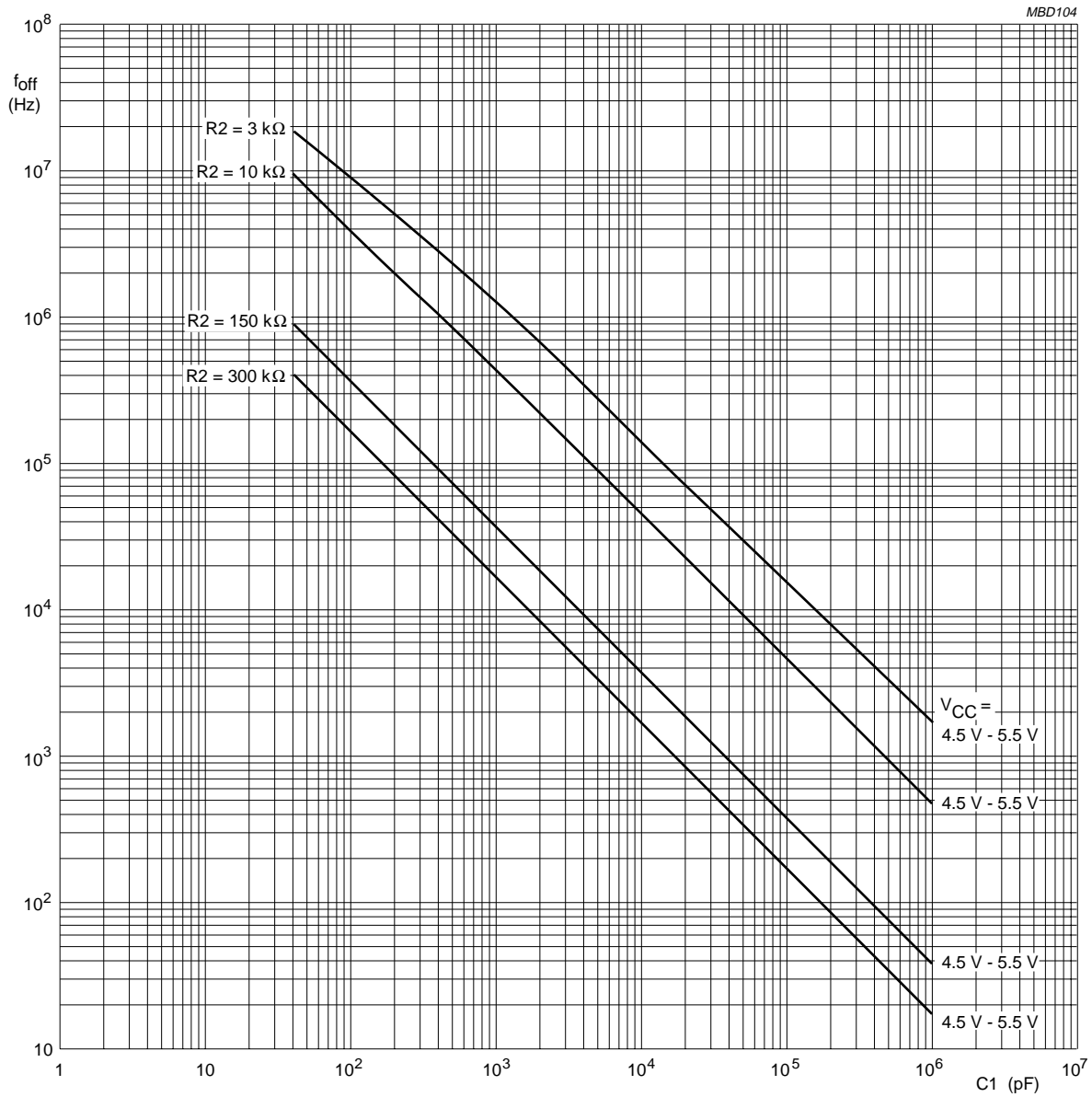


$R_2 = \infty$; $V_{VCO_IN} = 0.5V_{CC}$; $INH = GND$; $T_{amb} = 25\text{ }^\circ\text{C}$.

Fig.31 Typical value of VCO centre frequency (f_c) as a function of C_1 .

PLL with band gap controlled VCO

74HCT9046A

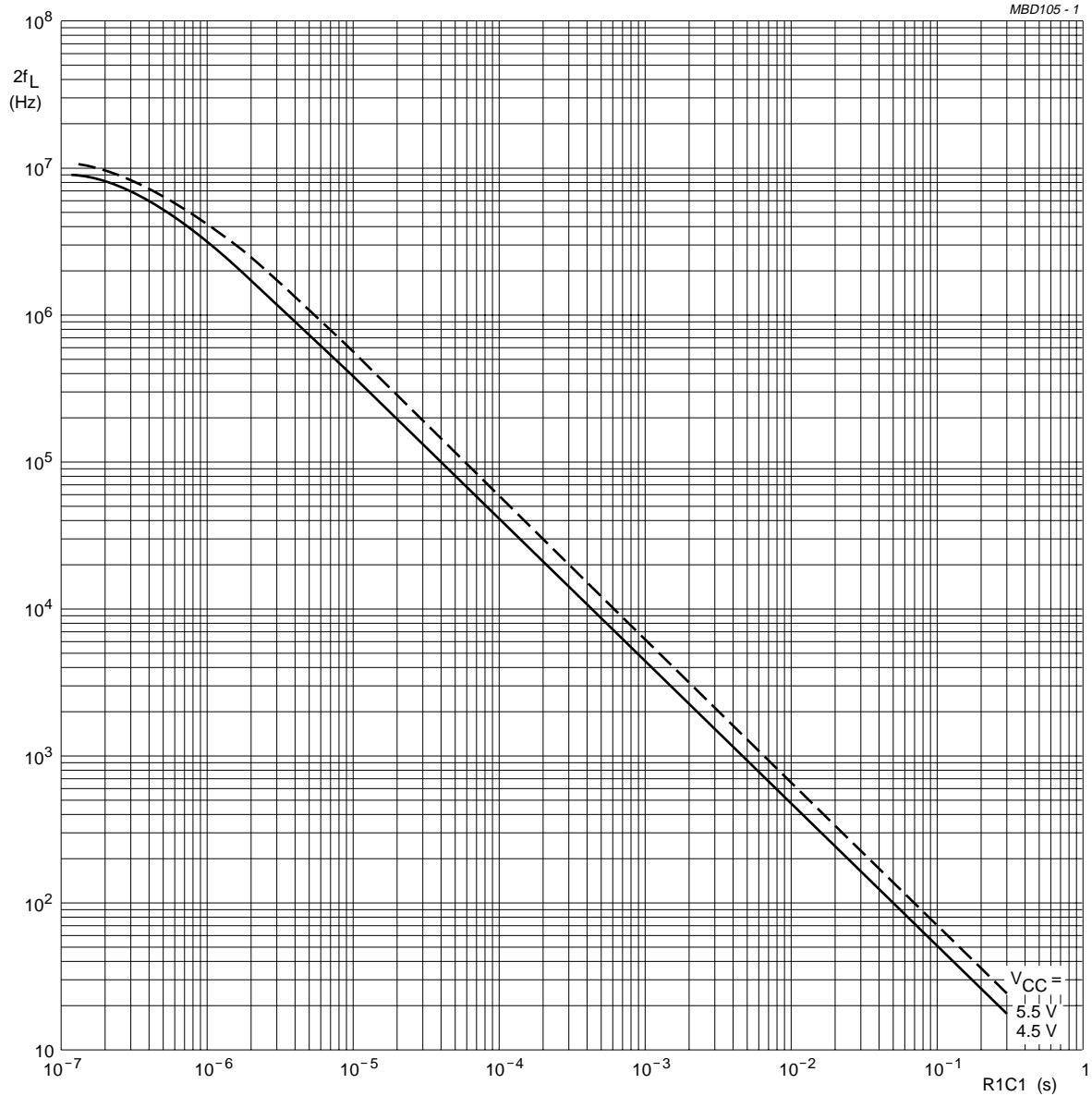


$R1 = \infty$; $V_{VCO_IN} = 0.5V_{CC}$; $INH = GND$; $T_{amb} = 25\text{ }^\circ\text{C}$.

Fig.32 Typical value of frequency offset as a function of $C1$.

PLL with band gap controlled VCO

74HCT9046A



$$K_v = \frac{2f_L}{V_{VCO_IN\ range}} 2\pi(r/s/V)$$

$V_{VCO_IN} = 1.1 \text{ to } (V_{CC} - 1.1) \text{ V}$

Fig.33 Typical frequency lock range $2f_L$ as a function of the product R1 and C1.

PLL with band gap controlled VCO

74HCT9046A

PLL design example

The frequency synthesizer used in the design example shown in Fig.34 has the following parameters:

- Output frequency: 2 MHz to 3 MHz.
- Frequency steps: 100 kHz.
- Settling time: 1 ms.
- Overshoot: <20%.

The open loop gain is:

$$H(s) \times G(s) = K_p \times K_f \times K_o \times K_n$$

and the closed loop:

$$\frac{\Phi_u}{\Phi_i} = \frac{K_p \times K_f \times K_o \times K_n}{1 + K_p \times K_f \times K_o \times K_n}$$

where:

- K_p = phase comparator gain
- K_f = low-pass filter transfer gain
- K_o = K_v/s VCO gain
- K_n = $1/n$ divider ratio.

The programmable counter ratio K_n can be found as follows:

$$N_{min} = \frac{f_{OUT}}{f_{step}} = \frac{2 \text{ MHz}}{100 \text{ kHz}} = 20$$

$$N_{max} = \frac{f_{OUT}}{f_{step}} = \frac{3 \text{ MHz}}{100 \text{ kHz}} = 30$$

The VCO is set by the values of R1, R2 and C1; R2 = 10 kΩ (adjustable).

The values can be determined using the information in Table 2.

With $f_c = 2.5 \text{ MHz}$ and $f_L = 500 \text{ kHz}$ this gives the following values

($V_{CC} = 5.0 \text{ V}$):

- R1 = 30 kΩ.
- R2 = 30 kΩ.
- C1 = 100 pF.

The VCO gain is:

$$K_v = \frac{2f_L \times 2\pi}{(V_{CC} - 1.1) - 1.1} = \frac{1 \text{ MHz}}{2.8} \times 2\pi \approx 2.24 \times 10^6 \text{ r/s/V}$$

The gain of the phase comparator PC2 is:

$$K_p = \frac{5}{4 \times \pi} = 0.4 \text{ V/r}$$

Using PC2 with the passive filter as shown in Fig.34 results in a high gain loop with the same performance as a loop with an active filter. Hence loop filter equations as for a high gain loop should be used. The current source output of PC2 can be simulated then with a fictive filter resistance:

$$R3' = \frac{R_b}{17}$$

The transfer functions of the filter is given by:

$$K_f = \frac{1 + s\tau_2}{s\tau_2}$$

Where:

- $\tau_1 = R3' \times C2.$
- $\tau_2 = R4 \times C2.$

The characteristic equation is: $1 + K_p \times K_f \times K_o \times K_n$

This results in:

$$1 + K_p \left(\frac{1 + s\tau_2}{s\tau_1} \right) \frac{K_v}{s} K_n = 0$$

or:

$$s^2 + sK_p K_v K_n \frac{\tau_2}{\tau_1} + K_p K_v K_n / \tau_1 = 0$$

This can be written as:

$$s^2 + 2\zeta\omega_n s + (\omega_n)^2 = 0$$

with the natural frequency ω_n defined as:

$$\omega_n = \sqrt{\frac{K_p \times K_v \times K_n}{\tau_1}}$$

and the damping value given as: $\zeta = 0.5 \times \tau_2 \times \omega_n$

In Fig.35 the output frequency response to a step of input frequency is shown.

The overshoot and settling time percentages are now used to determine ω_n . From Fig.35 it can be seen that the damping ratio $\zeta = 0.707$ will produce an overshoot of less than 20% and settle to within 5% at $\omega_n t = 5$. The required settling time is 1 ms. This results in:

$$\omega_n = \frac{5}{t} = \frac{5}{0.001} = 5 \times 10^3 \text{ r/s}.$$

PLL with band gap controlled VCO

74HCT9046A

Rewriting the equation for natural frequency results in:

$$\tau_1 = \frac{K_p \times K_v \times K_n}{(\omega_n)^2}$$

The maximum overshoot occurs at $N_{max} = 30$; hence $K_n = 1/30$:

$$\tau_1 = \frac{0.4 \times 2.24 \times 10^6}{5000^2 \times 30} = 0.0012$$

When $C2 = 470$ nF, it follows:

$$R3' = \frac{\tau_1}{C2} = \frac{0.0012}{470 \times 10^{-9}} = 2550 \Omega$$

Hence the current source bias resistance

$$R_b = 17 \times 2550 = 43 \text{ k}\Omega.$$

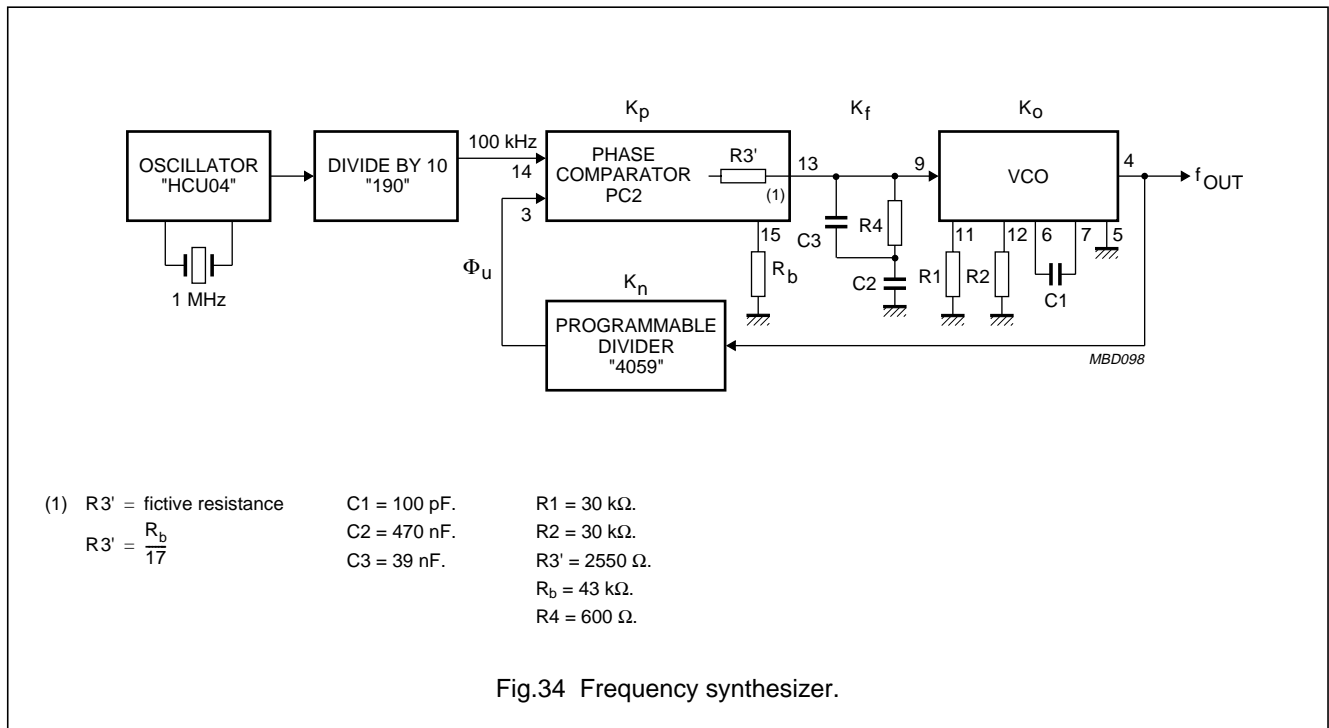
With $\zeta = 0.707$ ($0.5 \times \tau_2 \times \omega_n$) it follows:

$$\tau_2 = \frac{0.707}{0.5 \times 5000} = 0.00028$$

$$R4 = \frac{\tau_2}{C2} = \frac{0.00028}{470 \times 10^{-9}} = 600 \Omega$$

For extra ripple suppression a capacitor $C3$ can be connected in parallel with $R4$, with an extra $\tau_3 = R4 \times C3$.

For stability reasons τ_3 should be $< 0.1\tau_2$, hence $C3 < 0.1C2$ or $C3 = 39$ nF.



PLL with band gap controlled VCO

74HCT9046A

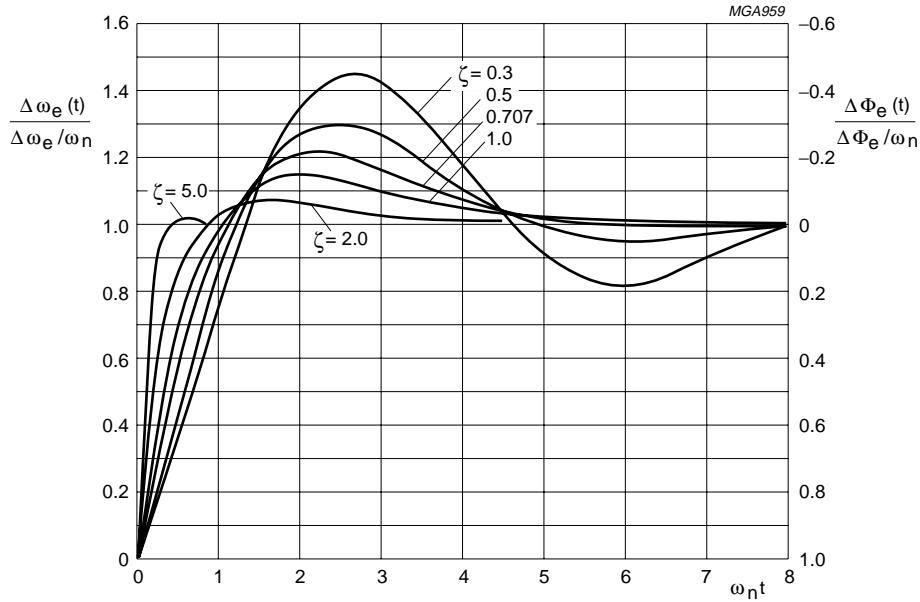


Fig.35 Type 2, second order frequency step response.

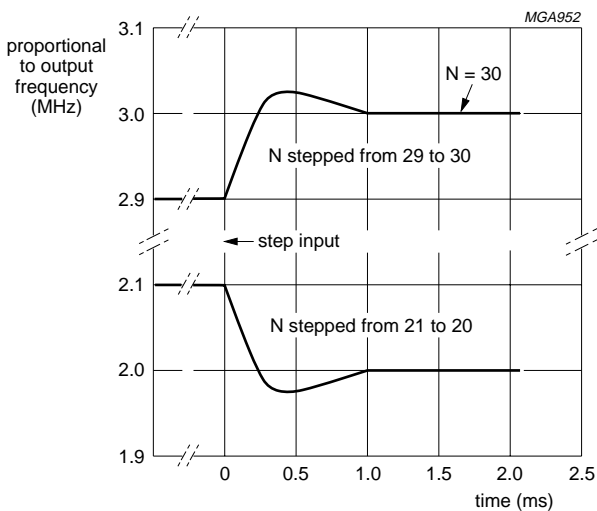


Fig.36 Frequency compared to the time response.

Since the output frequency is proportional to the VCO control voltage, the PLL frequency response can be observed with an oscilloscope by monitoring pin VCO_IN of the VCO. The average frequency response, as calculated by the Laplace method, is found experimentally by smoothing this voltage at pin VCO_IN with a simple RC filter, whose time constant is long compared with the phase detector sampling rate but short compared with the PLL response time.

Further information

For an extensive description and application example please refer to "Application note" ordering number 9397 750 00078.

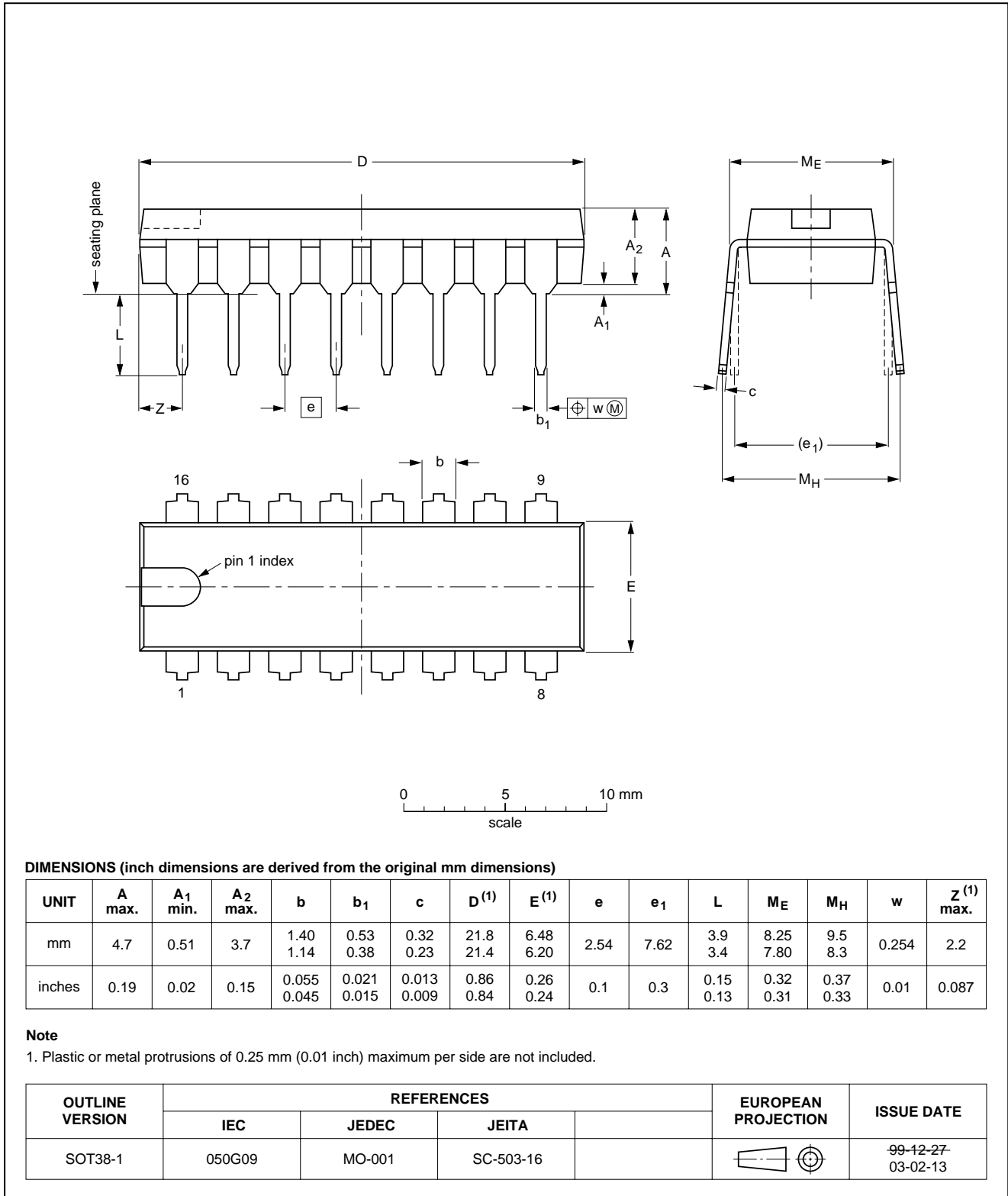
PLL with band gap controlled VCO

74HCT9046A

PACKAGE OUTLINES

DIP16: plastic dual in-line package; 16 leads (300 mil); long body

SOT38-1

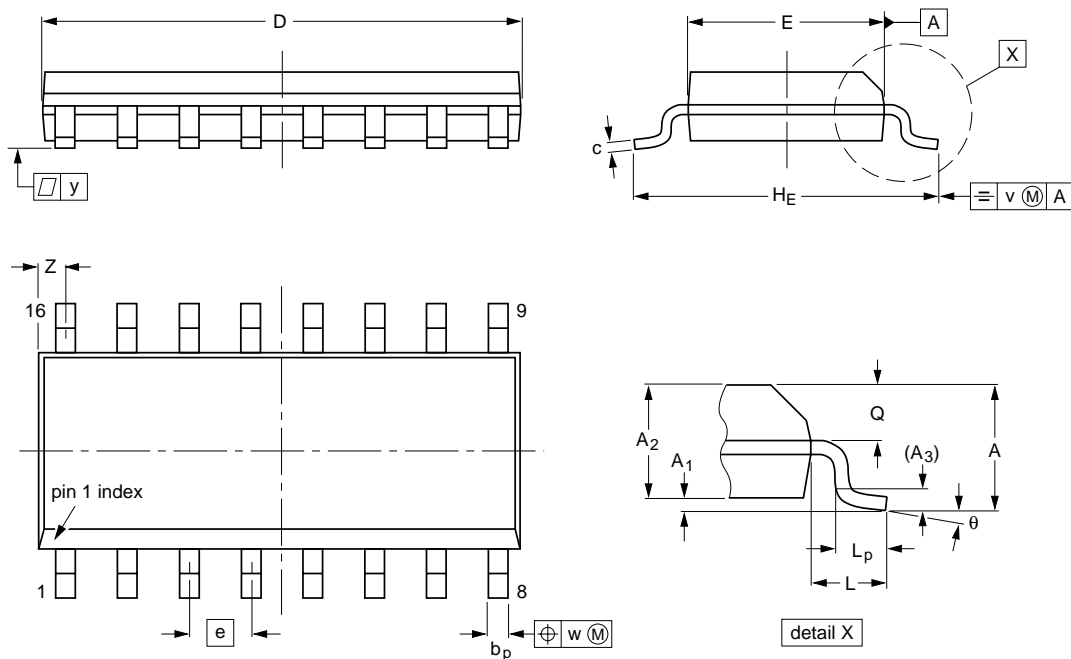


PLL with band gap controlled VCO

74HCT9046A

SO16: plastic small outline package; 16 leads; body width 3.9 mm

SOT109-1



DIMENSIONS (inch dimensions are derived from the original mm dimensions)

| UNIT | A max. | A ₁ | A ₂ | A ₃ | b _p | c | D ⁽¹⁾ | E ⁽¹⁾ | e | H _E | L | L _p | Q | v | w | y | z ⁽¹⁾ | θ |
|--------|--------|----------------|----------------|----------------|----------------|------------------|------------------|------------------|------|----------------|-------|----------------|----------------|------|------|-------|------------------|----------|
| mm | 1.75 | 0.25 0.10 | 1.45 1.25 | 0.25 | 0.49 0.36 | 0.25 0.19 | 10.0 9.8 | 4.0 3.8 | 1.27 | 6.2 5.8 | 1.05 | 1.0 0.4 | 0.7 0.6 | 0.25 | 0.25 | 0.1 | 0.7 0.3 | 8° 0° |
| inches | 0.069 | 0.010 0.004 | 0.057 0.049 | 0.01 | 0.019 0.014 | 0.0100 0.0075 | 0.39 0.38 | 0.16 0.15 | 0.05 | 0.244 0.228 | 0.041 | 0.039 0.016 | 0.028 0.020 | 0.01 | 0.01 | 0.004 | 0.028 0.012 | |

Note

1. Plastic or metal protrusions of 0.15 mm (0.006 inch) maximum per side are not included.

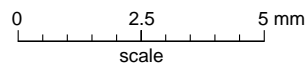
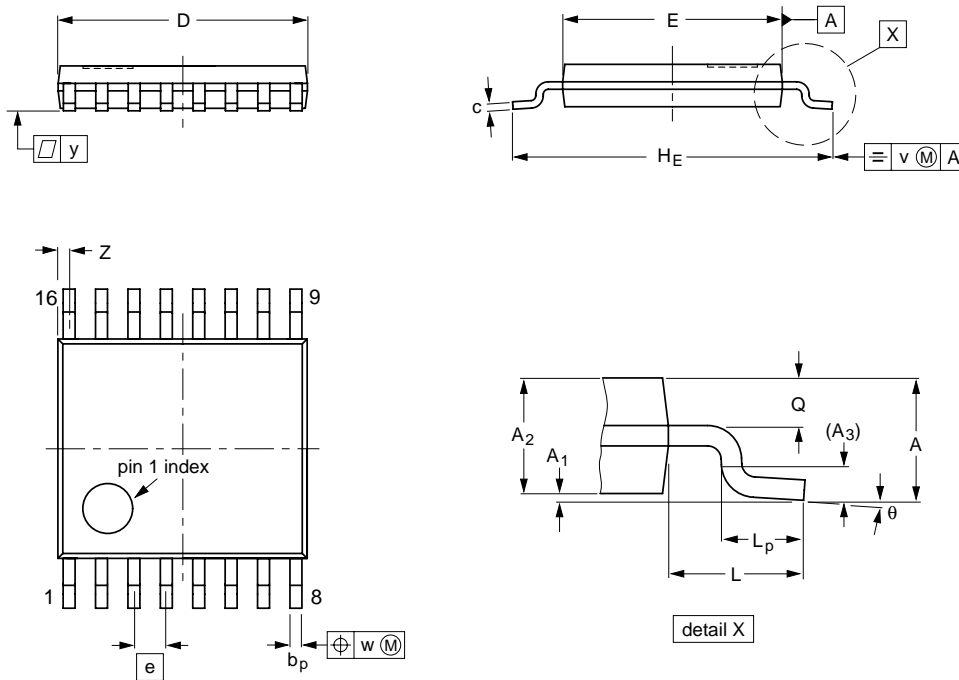
| OUTLINE VERSION | REFERENCES | | | EUROPEAN PROJECTION | ISSUE DATE |
|-----------------|------------|--------|-------|---------------------|----------------------|
| | IEC | JEDEC | JEITA | | |
| SOT109-1 | 076E07 | MS-012 | | | 99-12-27 03-02-19 |

PLL with band gap controlled VCO

74HCT9046A

TSSOP16: plastic thin shrink small outline package; 16 leads; body width 4.4 mm

SOT403-1



DIMENSIONS (mm are the original dimensions)

| UNIT | A max. | A ₁ | A ₂ | A ₃ | b _p | c | D ⁽¹⁾ | E ⁽²⁾ | e | H _E | L | L _p | Q | v | w | y | z ⁽¹⁾ | θ |
|------|--------|----------------|----------------|----------------|----------------|------------|------------------|------------------|------|----------------|---|----------------|------------|-----|------|-----|------------------|----------|
| mm | 1.1 | 0.15 0.05 | 0.95 0.80 | 0.25 | 0.30 0.19 | 0.2 0.1 | 5.1 4.9 | 4.5 4.3 | 0.65 | 6.6 6.2 | 1 | 0.75 0.50 | 0.4 0.3 | 0.2 | 0.13 | 0.1 | 0.40 0.06 | 8° 0° |

Notes

1. Plastic or metal protrusions of 0.15 mm maximum per side are not included.
2. Plastic interlead protrusions of 0.25 mm maximum per side are not included.

| OUTLINE VERSION | REFERENCES | | | | EUROPEAN PROJECTION | ISSUE DATE |
|-----------------|------------|--------|-------|--|---------------------|----------------------|
| | IEC | JEDEC | JEITA | | | |
| SOT403-1 | | MO-153 | | | | 99-12-27 03-02-18 |

PLL with band gap controlled VCO

74HCT9046A

DATA SHEET STATUS

| LEVEL | DATA SHEET STATUS ⁽¹⁾ | PRODUCT STATUS ⁽²⁾⁽³⁾ | DEFINITION |
|-------|----------------------------------|----------------------------------|--|
| I | Objective data | Development | This data sheet contains data from the objective specification for product development. Philips Semiconductors reserves the right to change the specification in any manner without notice. |
| II | Preliminary data | Qualification | This data sheet contains data from the preliminary specification. Supplementary data will be published at a later date. Philips Semiconductors reserves the right to change the specification without notice, in order to improve the design and supply the best possible product. |
| III | Product data | Production | This data sheet contains data from the product specification. Philips Semiconductors reserves the right to make changes at any time in order to improve the design, manufacturing and supply. Relevant changes will be communicated via a Customer Product/Process Change Notification (CPCN). |

Notes

1. Please consult the most recently issued data sheet before initiating or completing a design.
2. The product status of the device(s) described in this data sheet may have changed since this data sheet was published. The latest information is available on the Internet at URL <http://www.semiconductors.philips.com>.
3. For data sheets describing multiple type numbers, the highest-level product status determines the data sheet status.

DEFINITIONS

Short-form specification — The data in a short-form specification is extracted from a full data sheet with the same type number and title. For detailed information see the relevant data sheet or data handbook.

Limiting values definition — Limiting values given are in accordance with the Absolute Maximum Rating System (IEC 60134). Stress above one or more of the limiting values may cause permanent damage to the device. These are stress ratings only and operation of the device at these or at any other conditions above those given in the Characteristics sections of the specification is not implied. Exposure to limiting values for extended periods may affect device reliability.

Application information — Applications that are described herein for any of these products are for illustrative purposes only. Philips Semiconductors make no representation or warranty that such applications will be suitable for the specified use without further testing or modification.

DISCLAIMERS

Life support applications — These products are not designed for use in life support appliances, devices, or systems where malfunction of these products can reasonably be expected to result in personal injury. Philips Semiconductors customers using or selling these products for use in such applications do so at their own risk and agree to fully indemnify Philips Semiconductors for any damages resulting from such application.

Right to make changes — Philips Semiconductors reserves the right to make changes in the products - including circuits, standard cells, and/or software - described or contained herein in order to improve design and/or performance. When the product is in full production (status 'Production'), relevant changes will be communicated via a Customer Product/Process Change Notification (CPCN). Philips Semiconductors assumes no responsibility or liability for the use of any of these products, conveys no licence or title under any patent, copyright, or mask work right to these products, and makes no representations or warranties that these products are free from patent, copyright, or mask work right infringement, unless otherwise specified.

Philips Semiconductors – a worldwide company

Contact information

For additional information please visit <http://www.semiconductors.philips.com>. Fax: +31 40 27 24825

For sales offices addresses send e-mail to: sales.addresses@www.semiconductors.philips.com.

© Koninklijke Philips Electronics N.V. 2003

SCA75

All rights are reserved. Reproduction in whole or in part is prohibited without the prior written consent of the copyright owner.

The information presented in this document does not form part of any quotation or contract, is believed to be accurate and reliable and may be changed without notice. No liability will be accepted by the publisher for any consequence of its use. Publication thereof does not convey nor imply any license under patent- or other industrial or intellectual property rights.

Printed in The Netherlands

R44/05/pp40

Date of release: 2003 Oct 30

Document order number: 9397 750 12178

Let's make things better.

**Philips
Semiconductors**



PHILIPS