

2SK3338-01

FUJI POWER MOS-FET

N-CHANNEL SILICON POWER MOS-FET

Features

- High speed switching
- Low on-resistance
- No secondary breakdown
- Low driving power
- Avalanche-proof

Applications

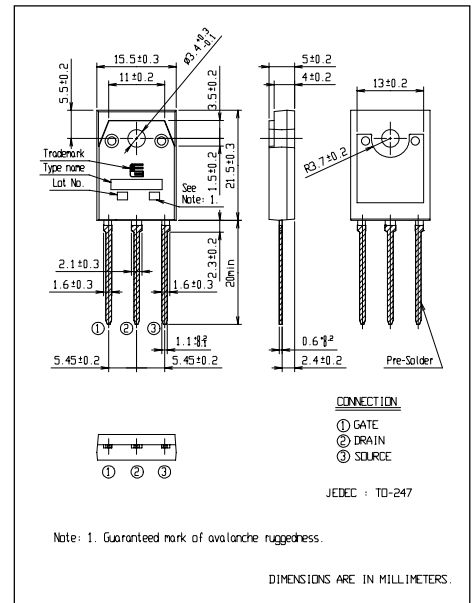
- Switching regulators
- UPS (Uninterruptible Power Supply)
- DC-DC converters

Maximum ratings and characteristic Absolute maximum ratings

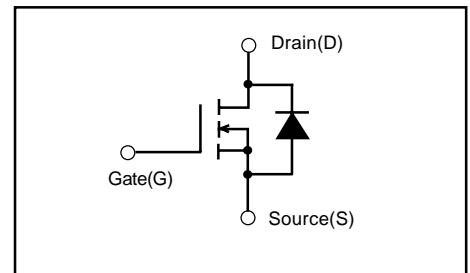
(Tc=25°C unless otherwise specified)

Item	Symbol	Rating	Unit
Drain-source voltage	V _{DS}	500	V
Continuous drain current	I _D	±20	A
Pulsed drain current	I _{D(puls)}	±80	A
Gate-source voltage	V _{GS}	±30	V
Repetitive or non-repetitive	IAR *2	20	A
Maximum Avalanche Energy	EAV *1	775	mJ
Max. power dissipation	P _D	340	W
Operating and storage temperature range	T _{ch} T _{stg}	+150 -55 to +150	°C

*1 L=3.56mH, V_{cc}=50V *2 T_{ch} ≤ 150°C



Equivalent circuit schematic



Electrical characteristics (Tc =25°C unless otherwise specified)

Item	Symbol	Test Conditions	Min.	Typ.	Max.	Units
Drain-source breakdown voltage	V _{(BR)DSS}	I _D =1mA V _{GS} =0V	500			V
Gate threshold voltage	V _{GS(th)}	I _D =1mA V _{DS} =V _{GS}	2.5	3.0	3.5	V
Zero gate voltage drain current	I _{DSS}	V _{DS} =500V V _{GS} =0V	T _{ch} =25°C	10	500	μA
			T _{ch} =125°C	0.2	1.0	mA
Gate-source leakage current	I _{GSS}	V _{GS} =±30V V _{DS} =0V		10	100	nA
Drain-source on-state resistance	R _{DS(on)}	I _D =10A V _{GS} =10V		0.21	0.27	Ω
Forward transconductance	g _{fs}	I _D =10A V _{DS} =25V	9	18		S
Input capacitance	C _{iss}	V _{DS} =25V		3350	5025	pF
Output capacitance	C _{oss}	V _{GS} =0V		480	720	pF
Reverse transfer capacitance	C _{rss}	f=1MHz		200	300	pF
Turn-on time t _{on}	t _{d(on)}	V _{CC} =300V I _D =20A		27	40	ns
	t _r	V _{GS} =10V		100	150	
Turn-off time t _{off}	t _{d(off)}	R _{GS} =10Ω		250	375	ns
	t _f			100	150	
Total gate charge	Q _G	V _{CC} =250V		155	235	nC
Gate-Source charge	Q _{GS}	I _D =20A		38	60	
Gate-Drain charge	Q _{GD}	V _{GS} =10V		50	75	
Avalanche capability	I _{AV}	L=3.56 mH T _{ch} =25°C	20			A
Diode forward on-voltage	V _{SD}	I _F =2I _{DR} V _{GS} =0V T _{ch} =25°C		1.1	1.65	V
Reverse recovery time	t _{rr}	I _F =I _{DR} V _{GS} =0V		600		ns
Reverse recovery charge	Q _{rr}	-di/dt=100A/μs T _{ch} =25°C		11.0		μC

Thermal characteristics

Item	Symbol	Test Conditions	Min.	Typ.	Max.	Units
Thermal resistance	R _{th(ch-c)}	channel to case			0.368	°C/W
	R _{th(ch-a)}	channel to ambient			50.0	°C/W

Characteristics

